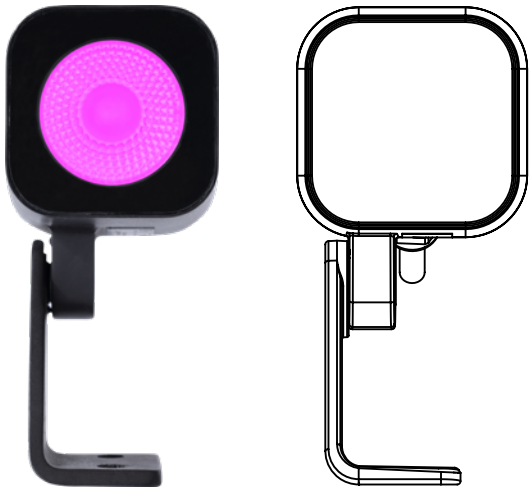
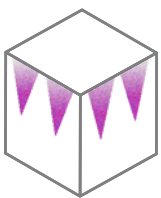


# SPOT fullcolor NEW

An updated multichip version of the IntiSPOT accent luminaire. In addition to a fresh body design, the new SPOT contains all the latest INTILED technologies, including EternalTechnology® and ColorPro® technology.



## Application



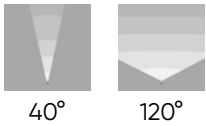
accent

# SPOT fullcolor

NEW



fullcolor  
(multichip RGBW40)



**CRI**  
≥80 (for white color)

**Color binning**  
2 MacAdam ellipses for white,  
±3 nm for color LED

**Power factor**  
>0,9

**Voltage**  
24 V DC

**IP66**

**Lifespan**  
not less than 50 000 hours

- 40°C + 55°C

**Controls, protocols**  
DMX-512 + RDM

**Controls, pixel size**  
1 luminaire – 1 pixel

**Materials**  
housing, bracket – aluminum alloy  
diffusor – tempered glass

**Standard RAL colors**



**Standard coating type**  
moire

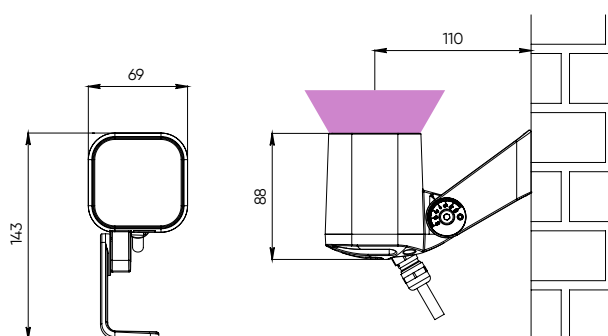
**Accessories**  
screen  
tube

**Customization**  
connectors IP68  
tunable white (TW) version  
wattage and luminous flux customized for a specific project

**Available custom versions**



**Technologies**



weight, kg  
0,6

# SPOT fullcolor

NEW

Serial code W, max lm, max

IMF1-3,5 11 310

## Create an article number

Serial code	Color	Optics	Controls*	Supply voltage**
IMF1-3,5	FC	15 30 40 120 15x60	R	L24

\* R – protocol DMX-512 + RDM

\*\*H – supply voltage 24 V DC

## Select accessories

Type*	Article number	Height, mm
screen	SPOT-02-050	50
tube	SPOT-03-050	50

\* screen – for grazing floodlighting

tube – for lighting of spatial structures