

RAY  
INTILED



## RAY SPECIFIC DESCRIPTION

I N T I L E D

RAY Series – smart design in basic mid-power projector: maximum functionality placed into minimal dimensions. RAY luminaire is designed for flood and accent architectural lighting. Significant improvements of every detail, reliable components and excellent lighting performance made RAY an irreplaceable tool for a lighting designer



## RAY SPECIFIC DESCRIPTION

I N T I L E D

- Single color temperature guarantees
- Thoughtful hexagonal LED placement ensures optimal color mixing for pure, rich colors with minimized unwanted light effects



## RAY SPECIFIC DESCRIPTION

I N T I L E D

- A precise LED placement and a **highly efficient optics** ensures optimal lighting effect for each specific pupose, without glare
- **Tempered impact resistant glass.** Reliably protects the components from external influences and maintains the light transmittance over time
- **New level of control**  
Smart fixture with RDM technology.  
A constant monitoring of the luminaire status and the lighting system feedback



Designated mounting locations for accessories

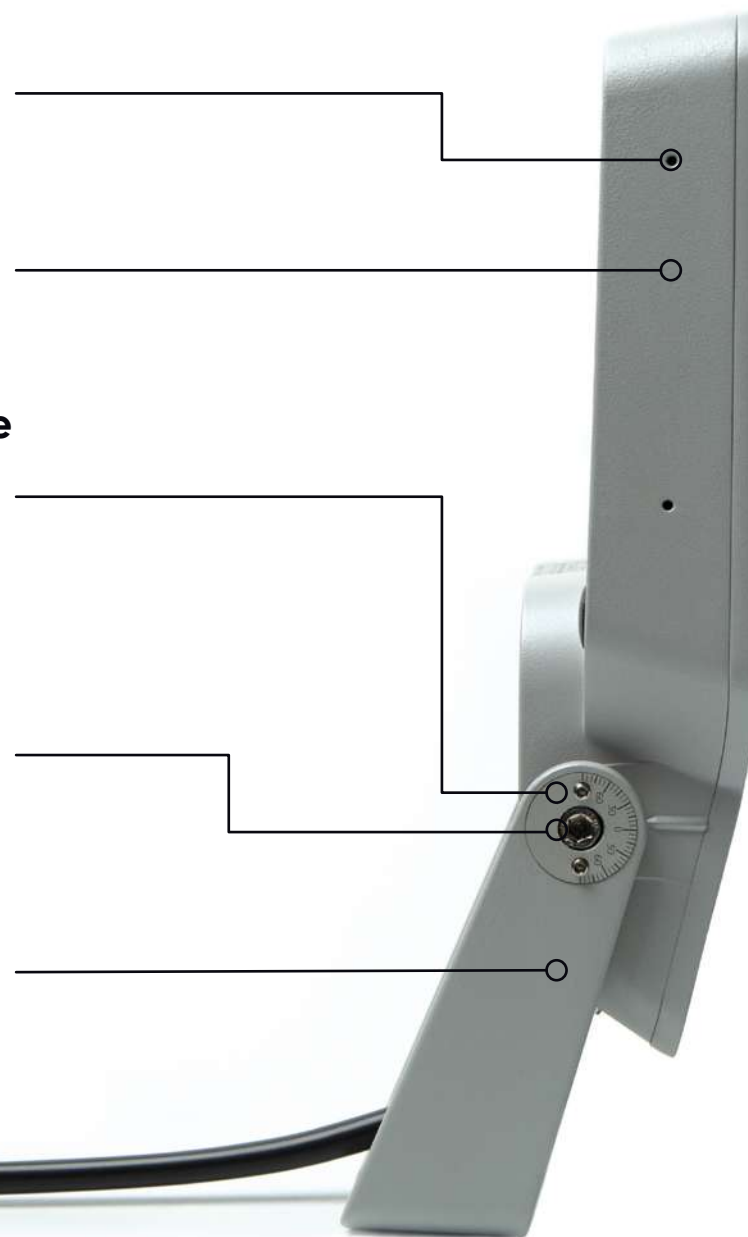
**Smart design.** A special arrangement of the components provides an excellent heat dissipation and increases the service life and reliability of the luminaire

### **Bracket as an integral part of the luminaire**

The beveled shape of the bracket allows the luminaire to be mounted without removing the bracket from the body

**Double fixation bracket.** Nord-Lock® washer secures the threaded parts and effectively prevents their loosening over time

**A scale with a rotation angle** simplifies the aiming and installation in the exact specified position



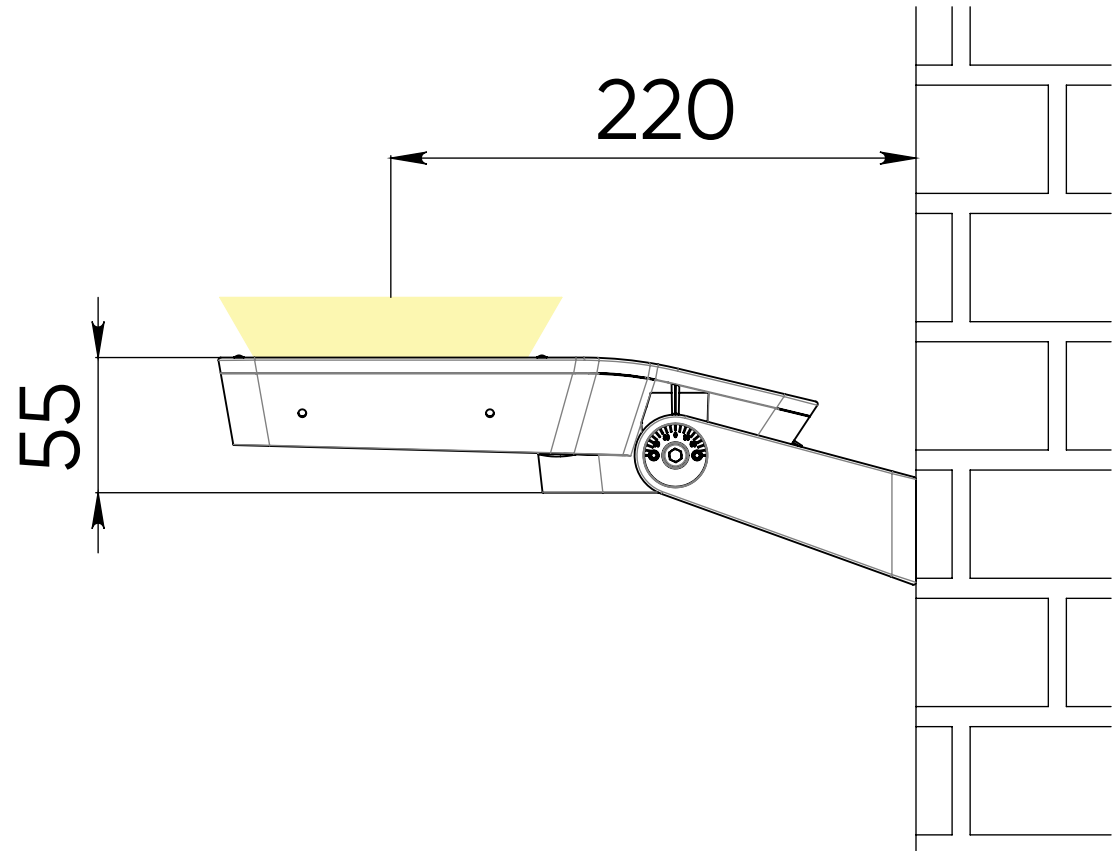
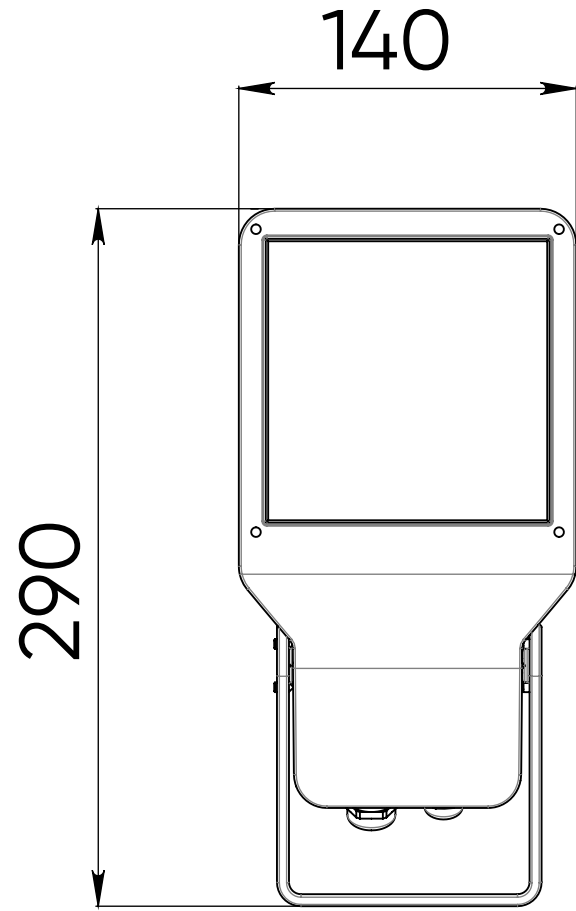
## RAY MAIN TECHNICAL FEATURES

I N T I L E D

Light source	Nichia (Japan), Cree (USA) LEDs
Light color	white (3000K, 4000K, 5000K), blue, green, red, amber, RGBW
Optics	10°, 10α30°, 10x50°, 30°, 35x105°, 65°, 85°
Luminous flux	810-2050 lm
Wattage	17-26 W
Voltage	90-264 V AC
Protection class	IP65
Operating temperature	tropical edition: -40°C ... +55°C standard edition: -40°C ... +45°C
Lifespan	not less than 50 000 hours
Control	DMX-512, DMX-512 + RDM
Dimensions	290x140x94 mm (with bracket)
Weight	2 kg
Mounting	on an adjustable bracket, with the scale for precise installation and Nord-Lock® fixing system
Customization	diffuser glass; internal honeycomb louvre; customized LEDs color combinations; housing and accessories painting in any RAL color; IP68 connectors; control/power cables of any length up to 3 m

# RAY DIMENSIONAL DRAWING

I N T I L E D

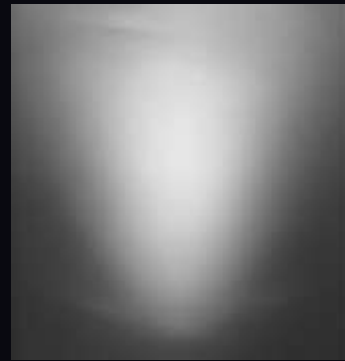


Optics

Customization



10° narrow  
round-symmetrical



10x50° narrow oval



60° wide  
round-symmetrical

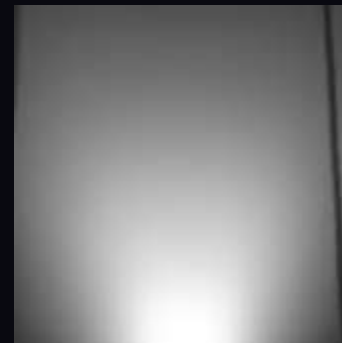
- internal honeycomb louvre
- glass diffuser
- shutter
- external louvre



10a30° narrow oval  
asymmetrical



30° medium  
round-symmetrical



35x105° medium  
oval



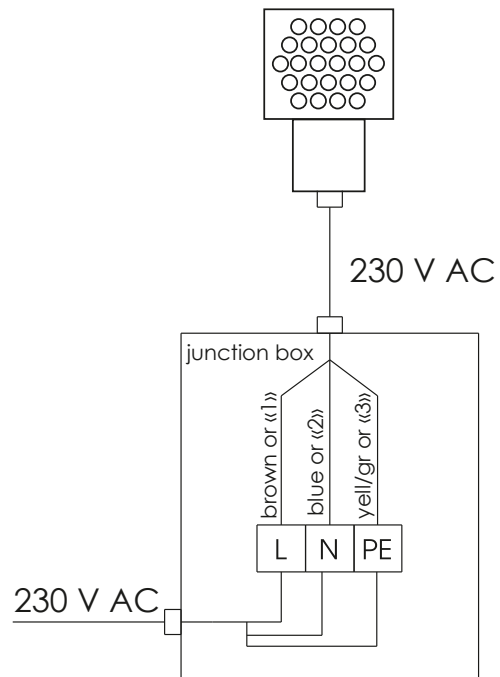
80° extra wide  
round-symmetrical



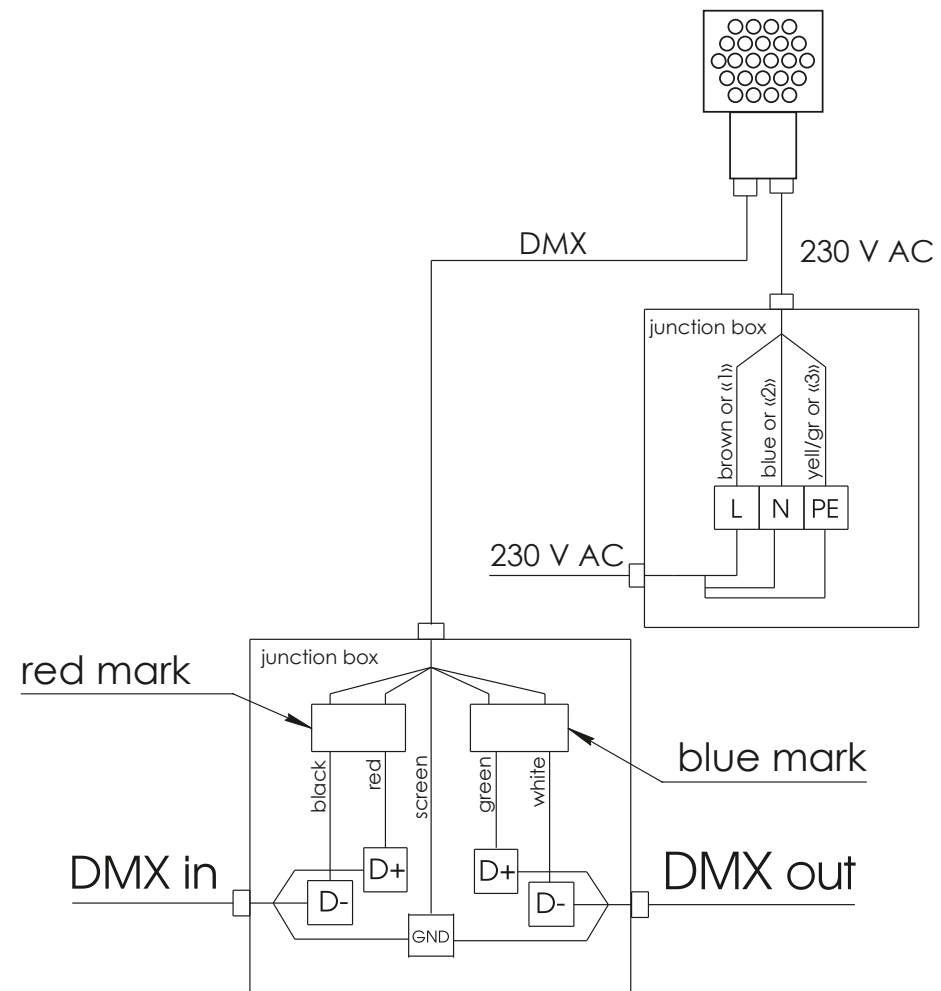
# RAY CONNECTIONS DIAGRAM

I N T I L E D

RAY white color luminaire connections diagram



RAY color dynamic luminaire connections diagram



# PORTFOLIO

INTILED

General Tutolmin's house  
Saint-Petersburg



# PORTFOLIO

Kant Island  
Kaliningrad



INTILED



# PORTFOLIO

INTILED

Perm Youth Theatre  
Perm





more information available  
on the website