

LINE fullcolor

INTILED



INTILED

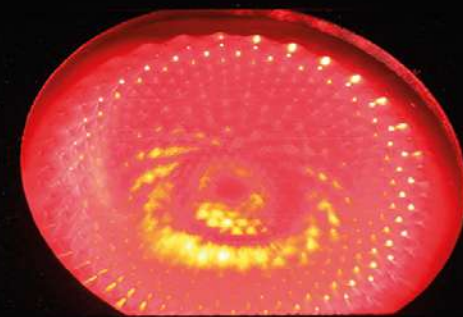
LINE fullcolor is a new
unprecedented phenomenon
in lighting design



LINE fc SPECIFIC FEATURES

I N T I L E D

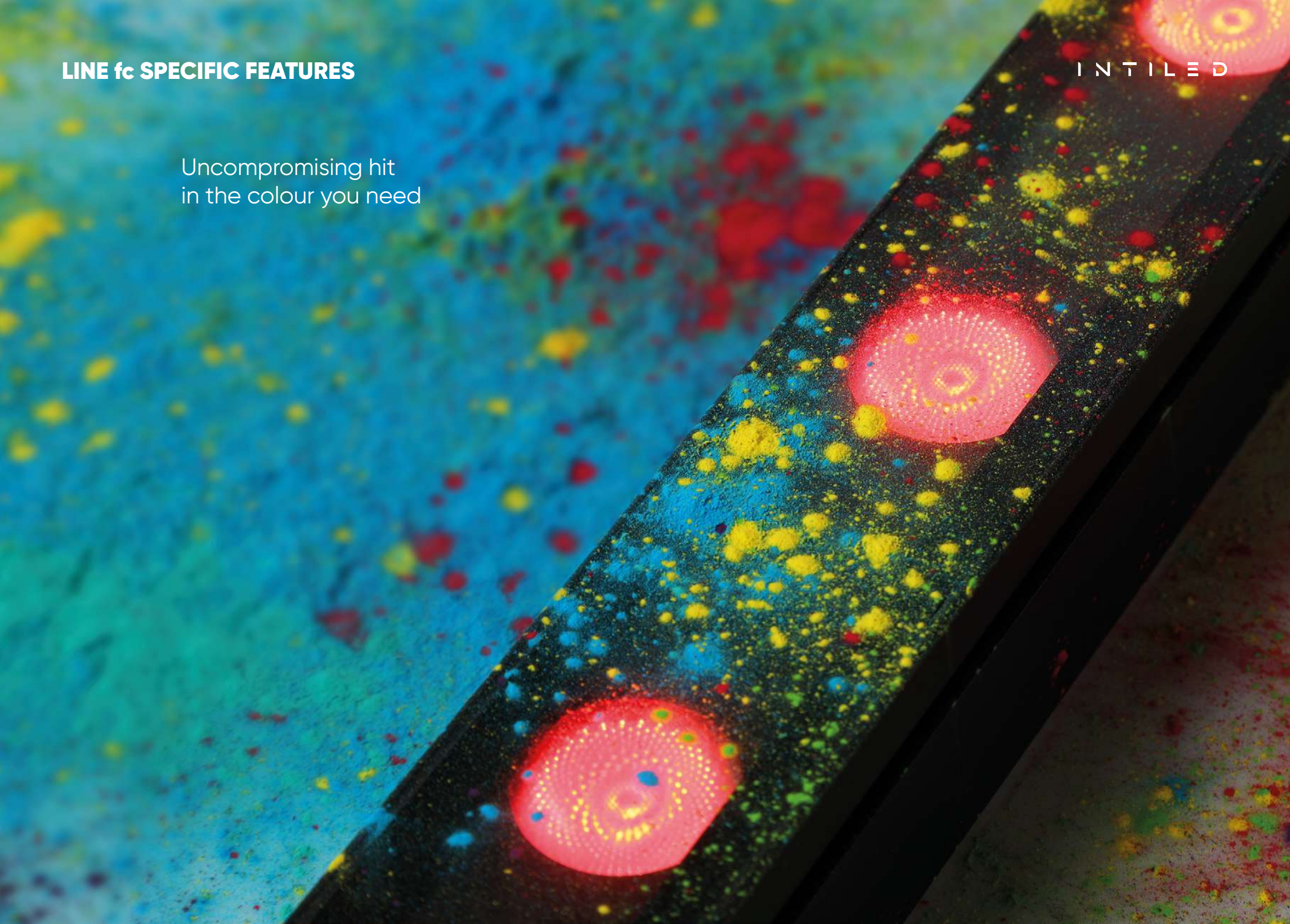
Amazing saturation and purity of more than 16 million colors in one luminaire



LINE fc SPECIFIC FEATURES

Uncompromising hit
in the colour you need

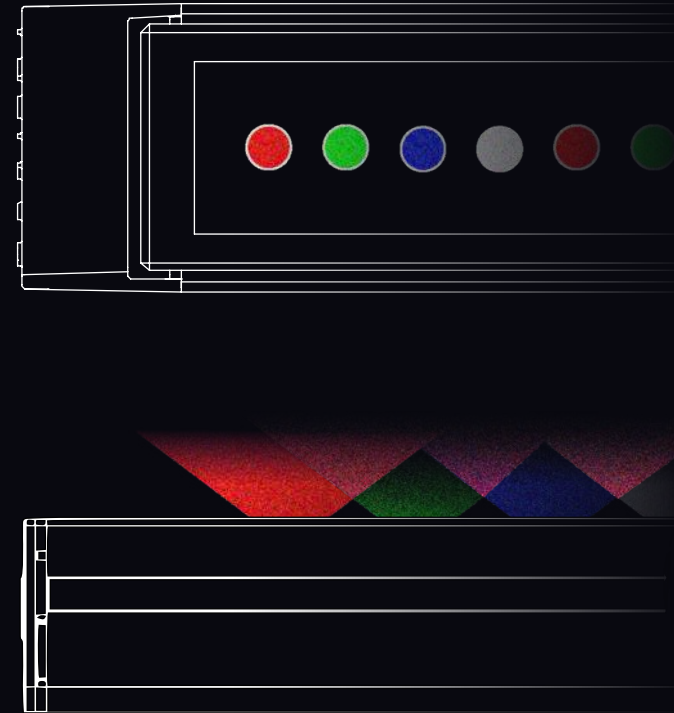
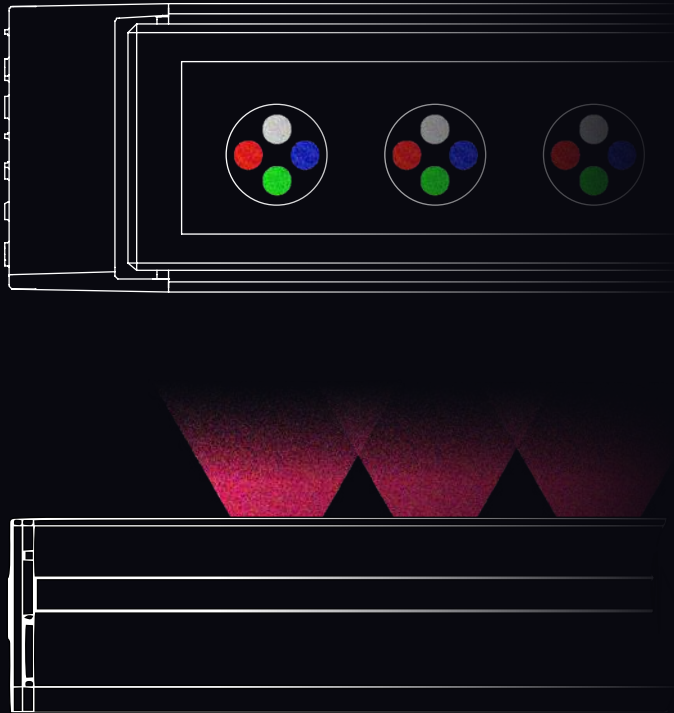
I N T I L E D



LINE fc SPECIFIC FEATURES

I N T I L E D

A flawless lighting effect without hot spots, in-line dark areas, light decomposition and other imperfections is a distinctive feature of LINE fc



LINE fc SPECIFIC FEATURES

I N T I L E D

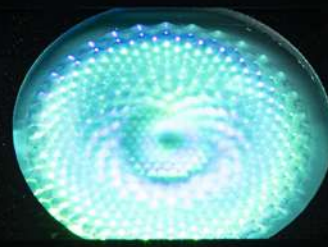
**The colours of your brand book
can be as accurate as possible:**
LINE fc can satisfy the most demanding
customers with the best possible result



LINE fc SPECIFIC FEATURES

I N T I L E D

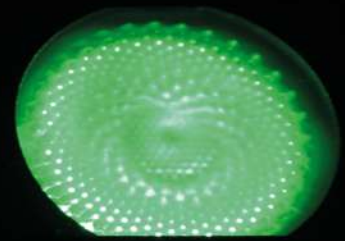
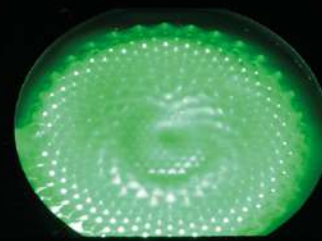
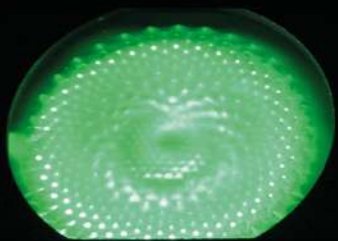
The ability to highlight the unique material and structure of the façade with the right shade of light



LINE fc SPECIFIC FEATURES

I N T I L E D

The technology used LINE fullcolor is based on reality, not marketing. Its ColorPro system ensures the perfect color mixing inside the lens, while Eternal technology provides a stable operation of each component within its operating temperature range from -65°C to $+55^{\circ}\text{C}$



LINE fc SPECIFIC FEATURES

I N T I L E D

The super-compact 56x58 mm dimensions integrate the light into any architectural environment unobtrusively. You see the light, not its source



LINE fc SPECIFIC FEATURES

I N T I L E D

Brackets of different lengths
to suit any project



SERIES FEATURES

I N T I L E D

The brackets can slide along the body for adjustable installation; there are special grooves for accessories

Fast, precise and long-lasting installation: easy to use brackets are responsible for "fast", the scale with a rotation angle - for "precise", the Nord-Lock® washer that prevents loosening of the joints overtime - for "long-lasting"



VERSIONS BY MOUNTING TYPE

I N T I L E D

Stand-alone version:

- For installing luminaires at a large distance from each other supplied with a cable without a connector
- Cable outlet from the luminaire: 1 m (customization up to 5 m)

Through-wiring version:

- Through-wiring connection up to 1,600 W in line or continuous line up to 50 m
- Fast connection of the luminaire to the mains thanks to the new Q3 and J5 connectors
- Luminaire with parallel connection
- Standard cable outlet from the luminaire: 0,2 m



Diagnostics and maintenance

The RDM protocol allows to remotely diagnose the status of each luminaire. The information about performance, operation mode, malfunctions can be transmitted to a single control panel from each project and from each luminaire

Installation

IP68 connectors allow to quickly connect the luminaire to the power supply and disconnect from it if necessary. Power and control connectors are different to minimize the installation errors

Maintainability

Stainless steel hexagonal screws do not rust and ensure that the fitting can be serviced even after its prolonged use



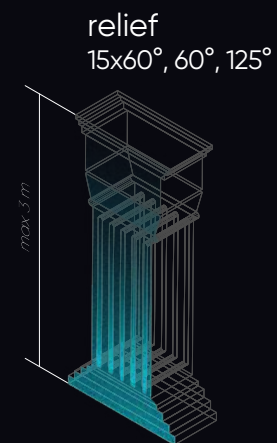
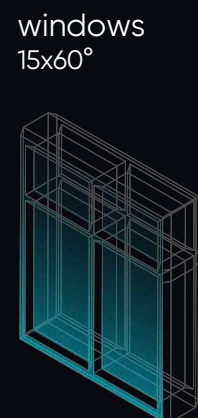
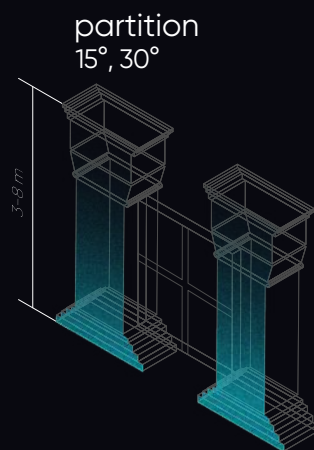
INSTALLATION AND OPERATION

I N T I L E D

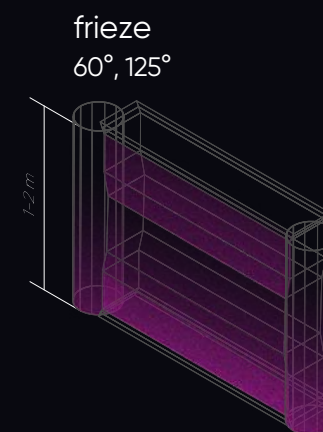
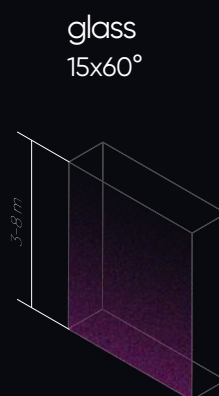
We give the human need for high quality and comfortable lighting the highest priority. The LINE fullcolor model range was designed considering all the modern requirements and **Green Building** standards: e.g. the optics options are specifically tailored to the aforementioned requirements



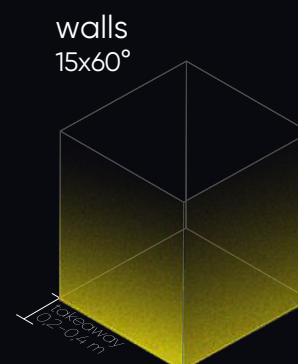
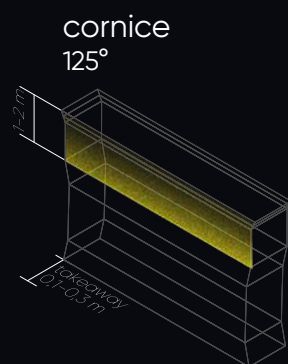
Accent lighting



Grazing floodlighting

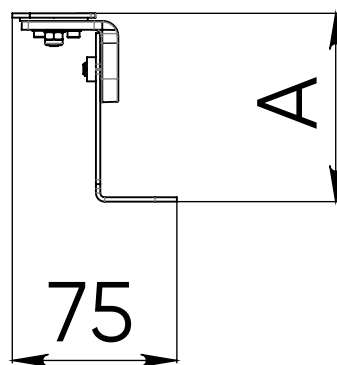
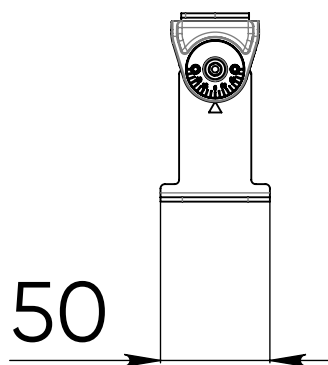
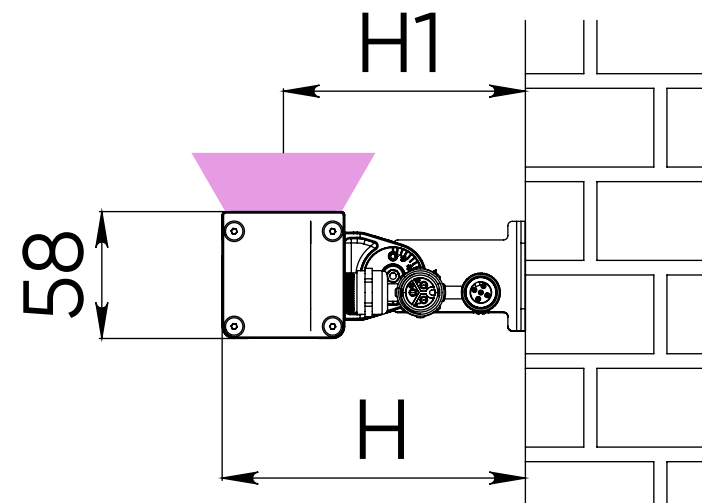
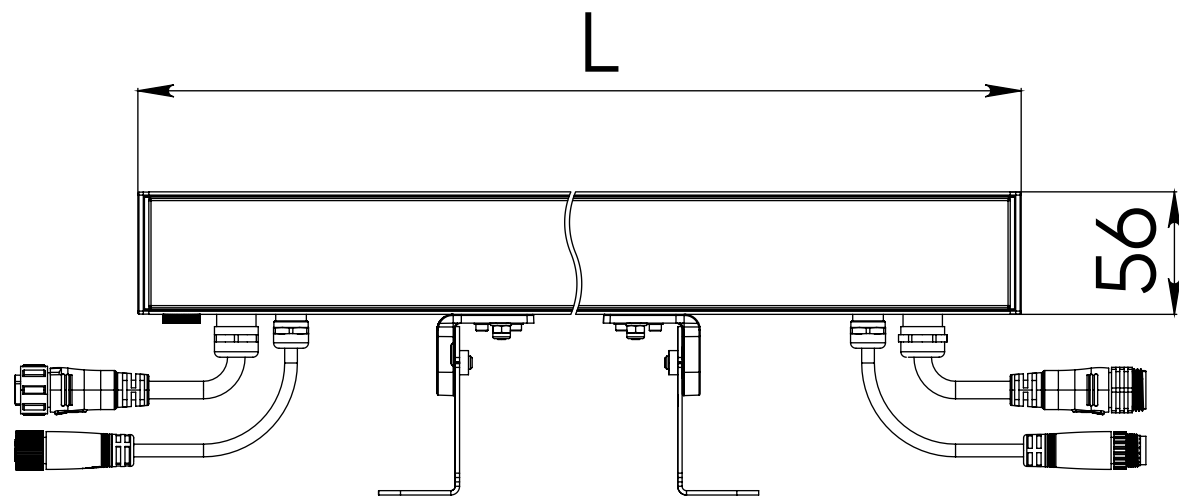


Contour lighting



LINE fc AND BRACKET DIMENSIONS

I N T I L E D

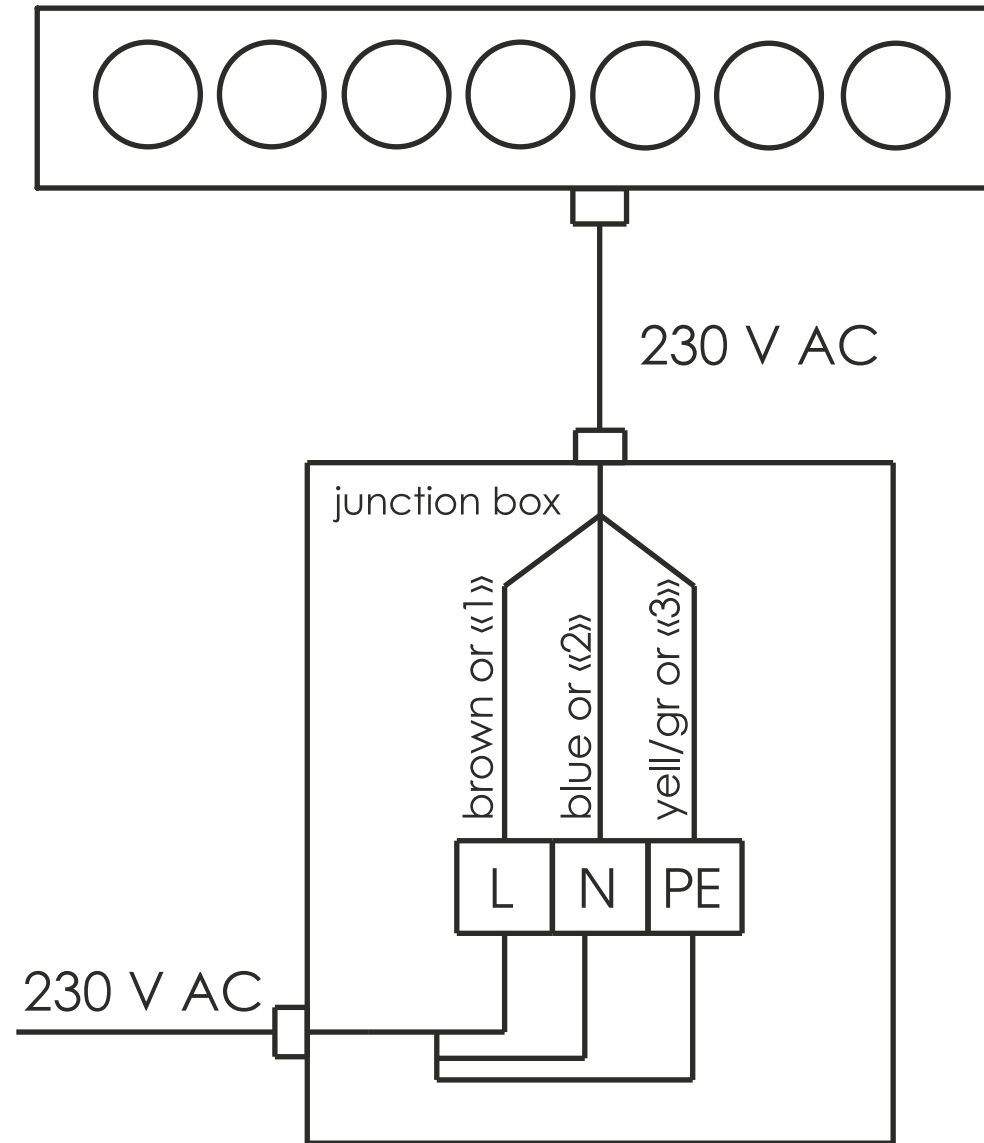


| L, mm |
|-------|
| 300 |
| 600 |
| 900 |
| 1200 |

| H, mm | H1, mm | A, mm |
|-------|--------|-------|
| 115 | 85 | 60 |
| 140 | 110 | 85 |
| 200 | 170 | 145 |
| 280 | 250 | 225 |

LINE fc CONNECTIONS DIAGRAM

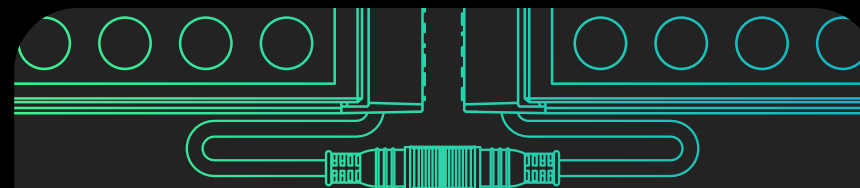
I N T I L E D



**Universal
bracket**

**Space
saving**

**DMX
+ RDM**



Through-wiring connection

16

mln colors



Eternal technology

**Stainless
steel**



**Multichip
diodes**



Nord-Lock

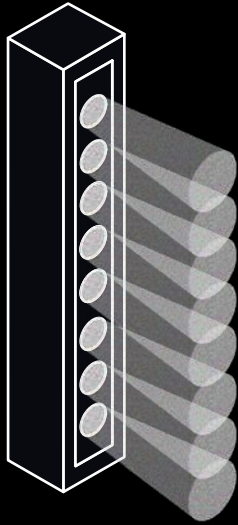
Green Building



Color Pro

LINE FULLCOLOR VERSIONS

I N T I L E D

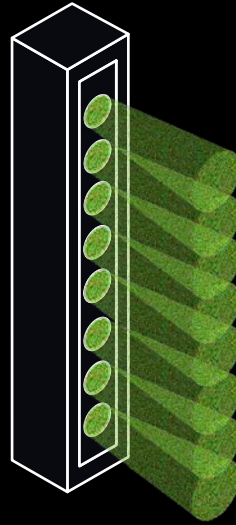


LINE fullcolor light

Extra low voltage version
for special purpose
24 and 48 V DC projects

24/48 V DC
1200 lm
10 W

-
Stand-alone / through-wiring version
OSRAM LEDs
more than 16 million kinds of colors
to choose
DMX + RDM
IP66
600 – 1500 mm

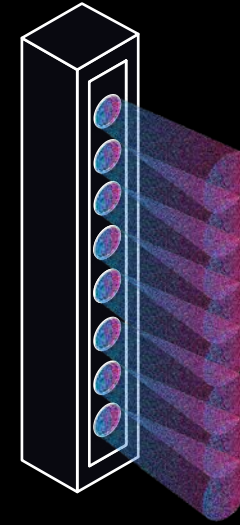


LINE fullcolor

All-in-one solution for both
static scenarios and dynamic
concepts

230 V AC
1200 lm
11 W

-
Stand-alone / through-wiring version
OSRAM LEDs
more than 16 million kinds of colors
to choose
DMX + RDM
IP66
600 – 1500 mm



LINE fullcolor PRO

Version with advanced features:
high luminous flux and cluster control

230 V AC
2500 lm
18 W

Individual control of each LED
Stand-alone / through-wiring version
OSRAM LEDs
more than 16 million kinds of colors
to choose
DMX + RDM
IP66
600 – 1500 mm



more information available
on the website