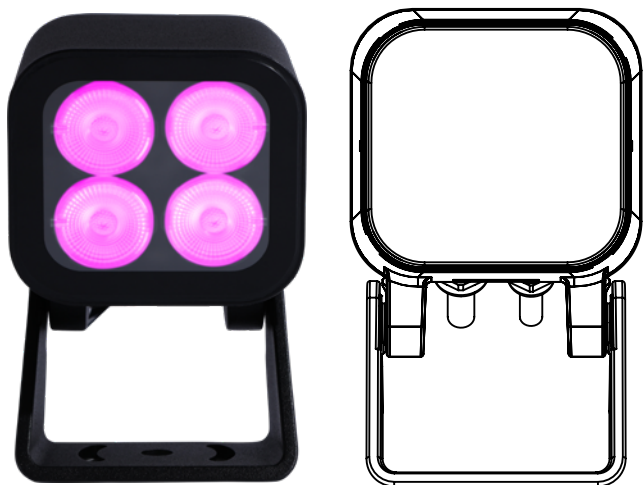
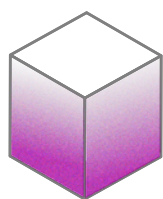


KUB fullcolor NEW

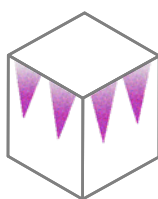
Over 16 million of bright, pure colors in the familiar ultra-compact and sleek KUB body. The maximum variety of lighting effects and extensive controls options in a toy-sized body with an on-board power supply make working with the luminaire comfortable and easy at any stage of a lighting project: from the concept and light planning to the installation and maintenance of a lighting system.



Application



floodlight



accent

KUB fullcolor

NEW



fullcolor
(multichip RGBW65)



15°

15x60°

30°



60°

125°

CRI

≥70 (for white color)

Color binning

2 MacAdam ellipses for white,
±3 nm for color LED

Power factor

>0,9

Voltage



230 V AC, 24 V DC

IP66



Lifespan

not less than 50 000 hours

 → 
- 40°C + 55°C

Controls, protocols

DMX-512, DMX-512 + RDM

Controls, pixel size

1 luminaire – 1 pixel

Materials

housing, bracket – aluminum alloy
protective glass – tempered glass

Standard RAL colors



Standard coating type

moire

Accessories

brackets
screens
tube
spike

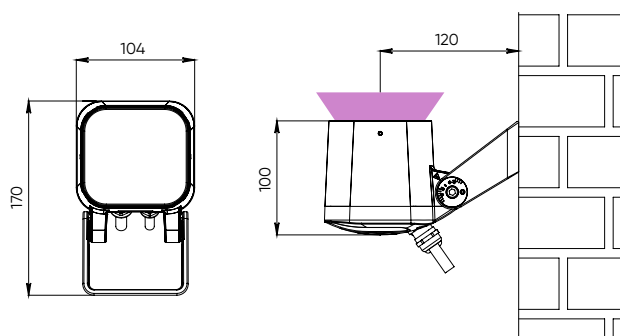
Customization

connectors IP68
cable length up to 5m
voltage: 12, 24, 48 V DC
tunable white (TW) version
wattage and luminous flux customized for a specific project

Available custom versions



Technologies



weight, kg
1,4

KUB fullcolor NEW

1. Select a model

Serial code	W, max	lm, max
IMF4-2	15	550

2. Create an article number

Serial code	Color	Optics	Controls*	Supply voltage**
IMF4-2	FC	15 15x60 30 60 125	C R	H L24

* C – protocol DMX-512

R – protocol DMX-512 + RDM

**H – supply voltage 230 V AC

L24 – supply voltage 24 V DC

3. Select accessories

Type*	Article number	Height, mm
screen	KUB-01-050	50
	KUB-02-075	75
tube	KUB-02-075	75
spike	KUB-01-055	55
	KUB-01-055	150

* screen – for grazing floodlighting

tube – for lighting of spatial structures

spike – for landscape lighting

Type	Article number*	Diameter, mm
bracket	KUB-03-75	76
	KUB-01-90	56-89
	KUB-02-90	56-89

* KUB-01-90 – with a cable hole for a rotating bracket insert