

KUB  
INTILED



## KUB SPECIFIC DESCRIPTION

I N T I L E D

KUB is a low power luminaire designed primarily for accent lighting of facades elements.

The compact dimensions make it possible to place KUB on columns, visors, in narrow inter-window spaces, on decorative details.

The perfect uniformity of lighting for each architectural element is achieved by specially selected diodes and various optics options.

A unique adjustment system allows you to quickly mount and adjust the luminaire using a regular hexagon screwdriver.



# KUB COMPONENTS

I N T I L E D

Silicate tempered glass



Diffuser



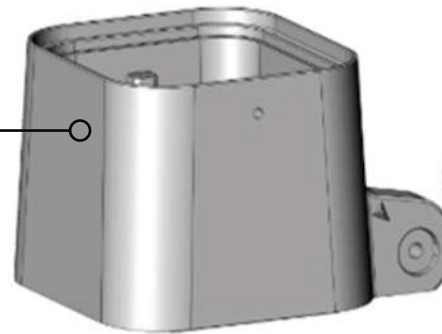
Lens



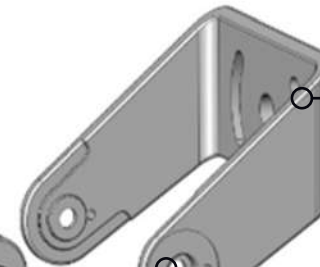
LED board



Body



Bracket



Scale with a rotation angle



Nord-Lock® system



Power supply



Silicone gasket



Body cover



Cable entry



## KUB SPECIFIC DESCRIPTION

I N T I L E D

### **Tempered impact resistant glass.**

Reliably protects the components from external influences and maintains the light transmittance over time

### **Smart fixture with RDM technology.**

A constant monitoring of the luminaire status and the lighting system feedback



## KUB SPECIFIC DESCRIPTION

I N T I L E D

### Original Nichia and Cree LED.

The perfect uniformity of light thanks to high-quality diodes with a colour consistency within a 3-step MacAdam ellipse

A precise LED placement and a **highly efficient** optics in the RGBW version ensures optimal color mixing for pure, saturated colors without glare



## KUB SPECIFIC DESCRIPTION

I N T I L E D

**Smart design.** A special arrangement of the components provides an excellent heat dissipation and increases the service life and reliability of the luminaire

Designated spots for the mounting accessories

**A scale with a rotation angle** simplifies the aiming and installation in the exact specified position

**Double fixation bracket.**  
Nord-Lock® washer secures the threaded parts and effectively prevents their loosening over time

**Bracket as an integral part of the luminaire.**  
The beveled shape of the bracket allows the luminaire to be mounted without removing the bracket from the body

A special outdoor powder enamel provides reliable and durable protection against environmental influences. It is possible to paint the body and brackets in any color according to the **RAL palette**



## KUB SPECIFIC DESCRIPTION

I N T I L E D

**High-performance optics** with a precisely matched effect for specific purposes. Does not blind, gives the desired lighting effect

Perfect uniformity of light thanks to high-quality diodes with tight **LED binning** (within 3-step MacAdam ellipse)

**Glass diffuser** eliminates hot spots and improves the color mixing in the closeup zone



## KUB MAIN TECHNICAL FEATURES

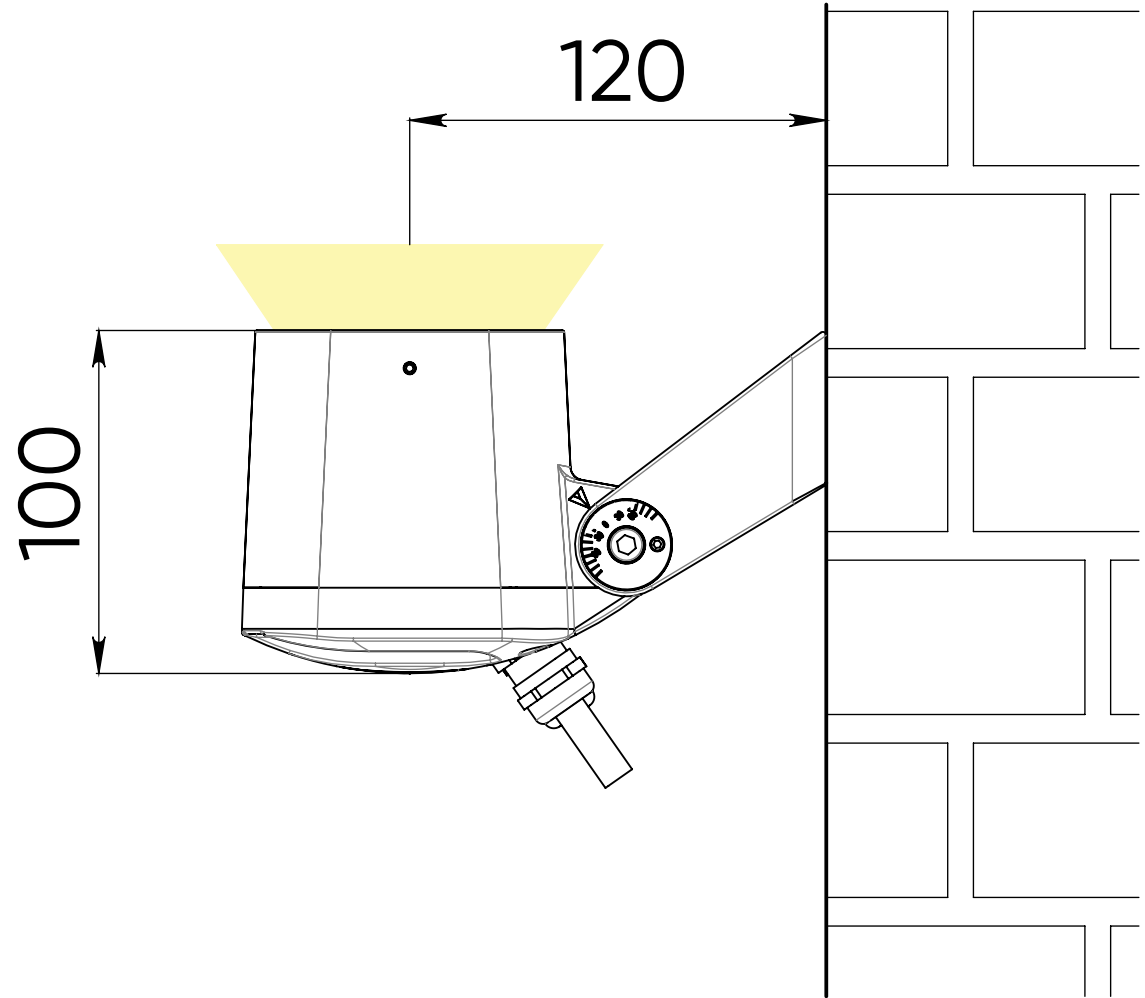
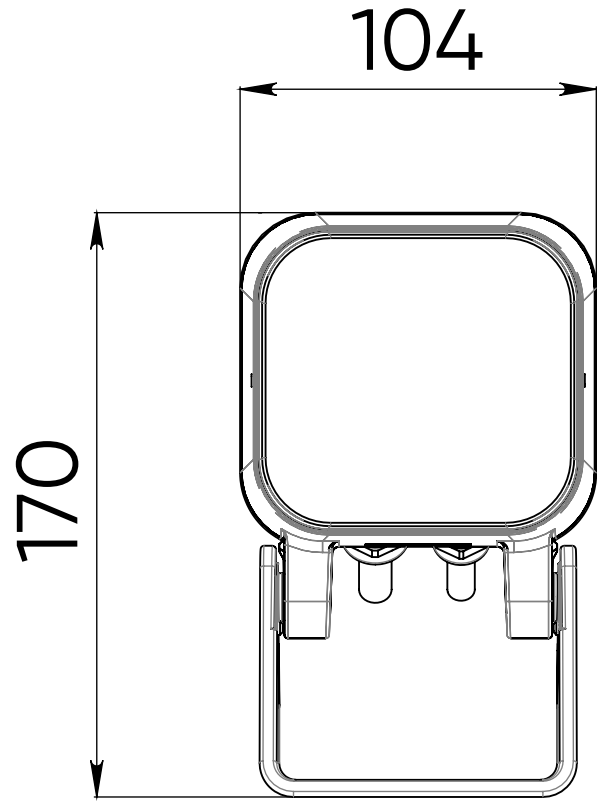
I N T I L E D

Light source	Nichia (Japan), Cree (USA) LEDs
Light color	white (3000 K, 4000 K, 5000 K), green, red, blue, amber, RGBW, RGBA
Optics	10°, 30°, 65°, 85°, 10α30°, 10x50°, 120°
Luminous flux	250-900 lm
Wattage	8-14 W
Voltage	24 V DC, 90-305 V AC
Protection class	IP68
Operating temperature	-40°C ... +45°C
Lifespan	not less than 50000 hours
Control	mono: PWM RGBW, RGBA: DMX-512, DMX-512 + RDM
Dimensions	100x104x171 mm (with bracket)
Weight	1,3; 1,4 kg
Mounting	on an adjustable bracket
Accessories	shield
Customization	diffuser glass; internal honeycomb louvre; customized LEDs color combinations; control/power cables of any length up to 3 m; housing and accessories painting in any RAL color; IP68 connectors



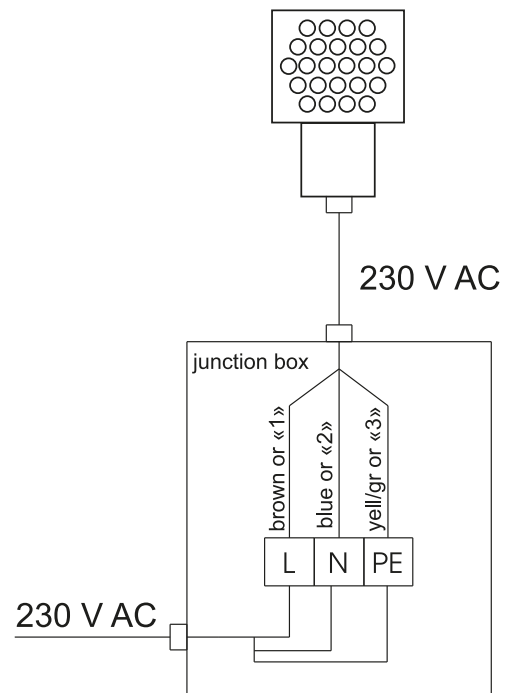
# KUB DIMENSIONAL DRAWING

I N T I L E D

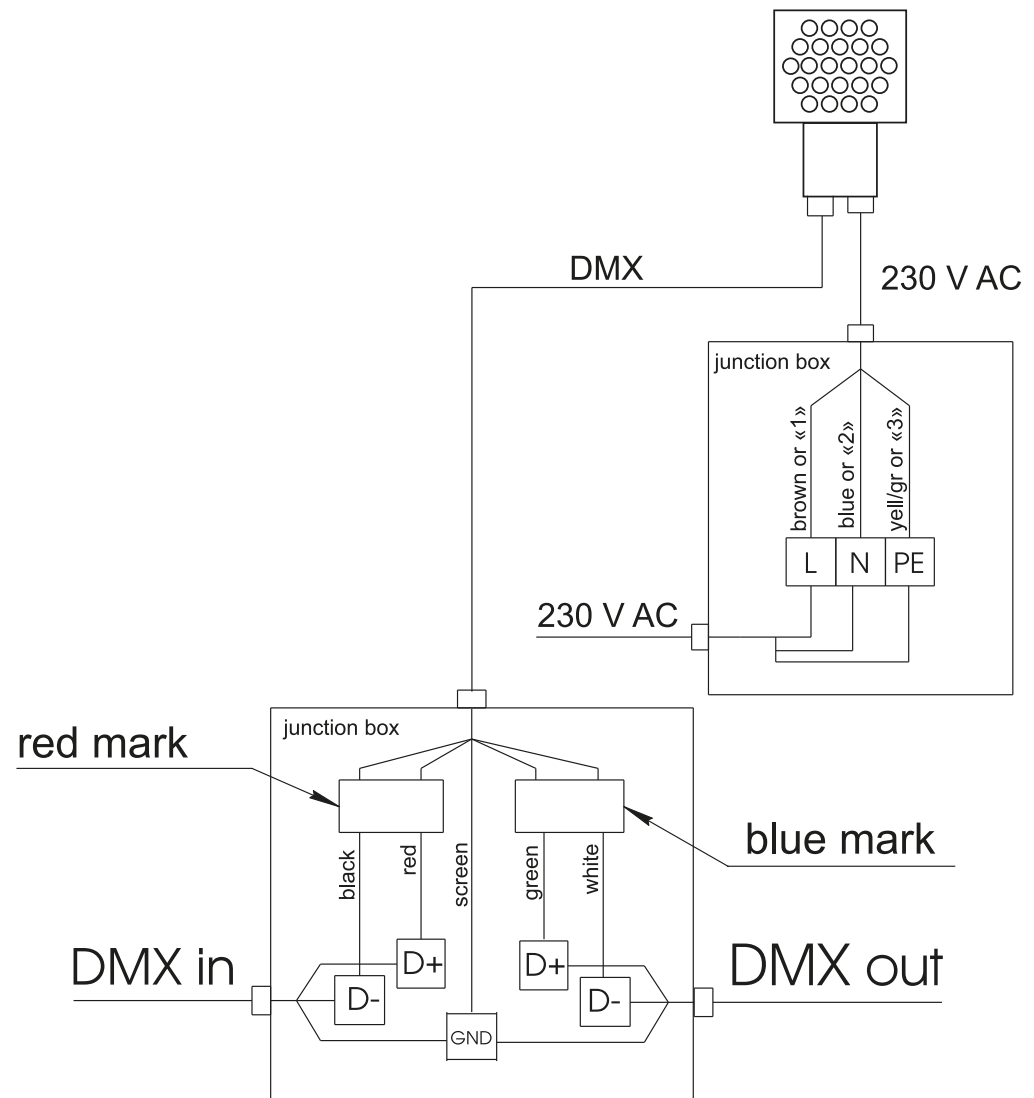


# KUB CONNECTIONS DIAGRAM

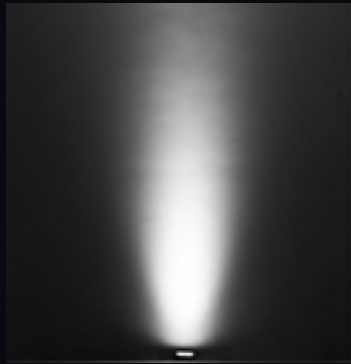
KUB white color luminaire connections diagram



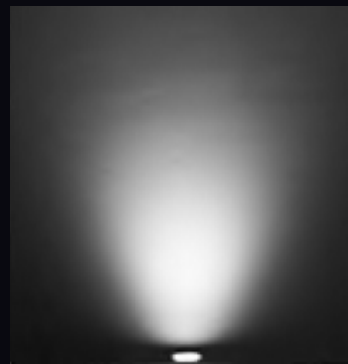
KUB color dynamic luminaire connections diagram



Optics



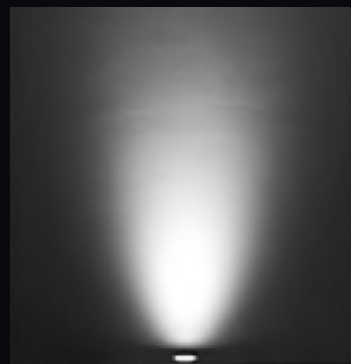
10° narrow  
round-symmetrical



10x50° narrow oval



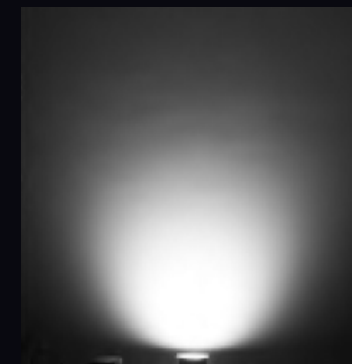
65° wide  
round-symmetrical



10a30° narrow  
oval asymmetrical



30° medium  
round-symmetrical

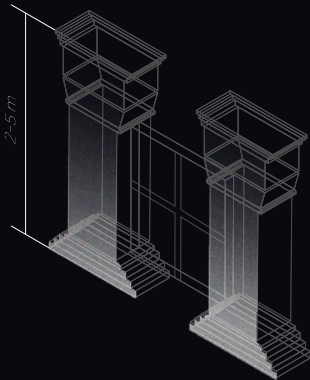


85° extra wide  
round-symmetrical

## Compact accent projector

minor tall architectural elements (pilasters, columns)

10°, 30°



minor small architectural elements (relief, mascarón, flowerpot)

65°, 85°



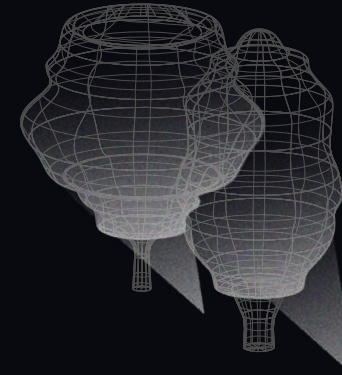
interwindow spaces, 1-2 floors high

10a30°, 10°, 65°

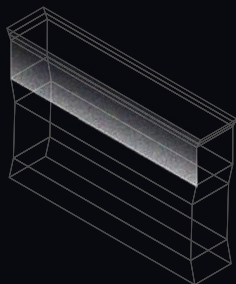


landscape lighting - flooding from small polls, compact urban elements

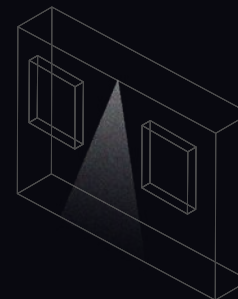
30°, 65°, 85°



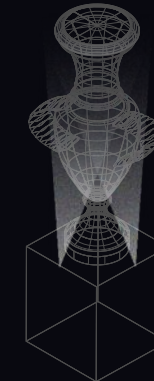
30°, 10x50°, 10a30°



65°, 85°



30°, 65°, 85°



## KUB CUSTOMIZATION AND ACCESSORIES

I N T I L E D

- Glass diffuser
- Internal honeycomb louvre
- Cable length up to 3 m
- Painting of the body and brackets in any color according to the RAL palette
- IP68 connectors
- Shield





more information available  
on the website