



IntiSPOT

INTILED

## IntiSPOT SPECIFIC DESCRIPTION

I N T I L E D

A compact accent luminaire with a wide range of mounting and design options. Ideal for illuminating small architectural elements, functional lighting of entrance areas and even creating media facades



### **A multitude of designs**

IntiSPOT is available in 3 standard versions: for surface mounting with a bracket, for recessed mounting with a screw fastening, for recessed mounting with a spring. It can be customized with individual brackets made-to-order for a project, as well as fully bespoke suspended versions (e.g. with a spherical diffuser)



### **Grouped secondary optics**

Secondary optics, resistant to elements, provides additional reliability. The luminaire continues to operate securely even if the protective glass is damaged or completely removed



## IntiSPOT SPECIFIC DESCRIPTION

I N T I L E D

### **One cable for controls and power supply**

For RGB versions, controls and power supply are provided via a single cable, ensuring additional convenience in installation



## IntiSPOT MAIN TECHNICAL CHARACTERISTICS

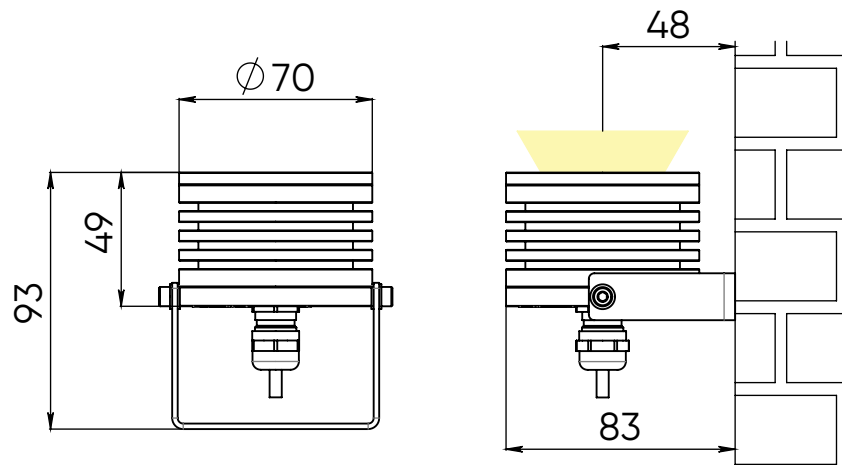
I N T I L E D

Light source	Nichia (Japan), Cree (USA) LEDs
Light color	white (3000 K, 4000 K, 5000 K), RGBW
Optics	16°, 24°, 40°
Luminous flux	410 - 710 lm
Wattage	7, 10 W
Voltage	mono: 48 V DC RGBW: 24 V DC
Protection class	IP67
Operating temperature	tropical edition: -40°C ... +55°C standard edition: -40°C ... +45°C
Lifespan	no less than 50 000 hours
Control	mono: PWM RGBW: DMX-512
Dimensions	surface-mounted: 70x70x60 mm, 70x70x49 mm build-in: 108x108x49 mm
Weight	0,4 - 0,5 kg
Mounting	recessed mounting, surface mounting on a bracket
Customization	customized LEDs color combinations; housing and accessories painting in any RAL color; production of customized accessories

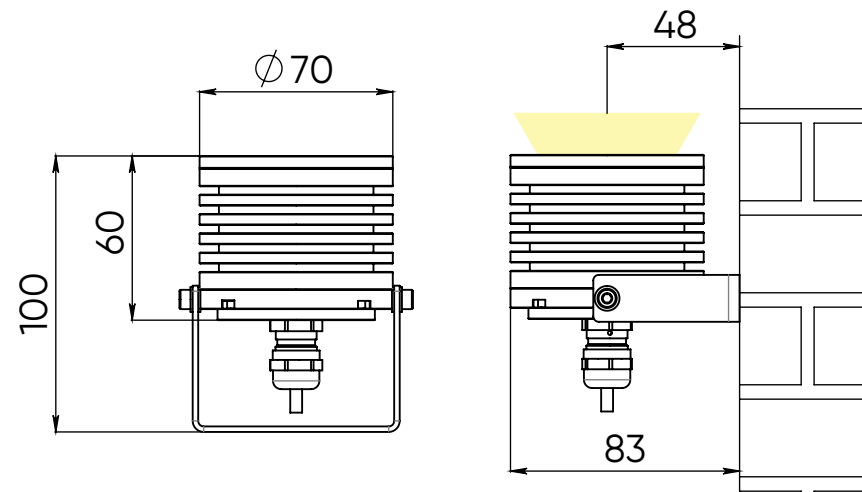
# IntiSPOT DIMENSIONAL DRAWING

I N T I L E D

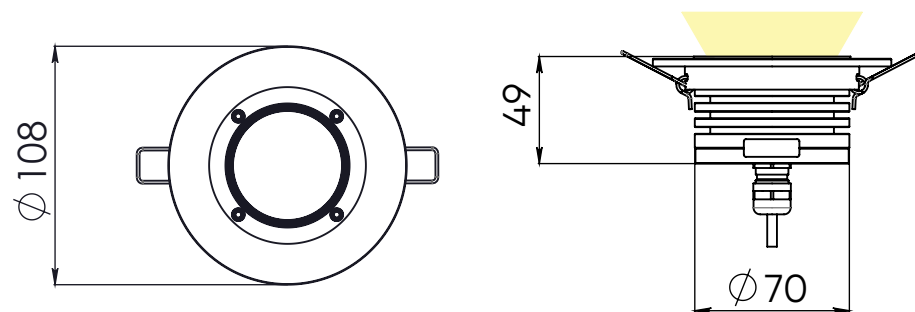
IntiSPOT white color surface-mounted luminaire dimensional drawing



IntiSPOT color dynamic surface-mounted luminaire dimensional drawing



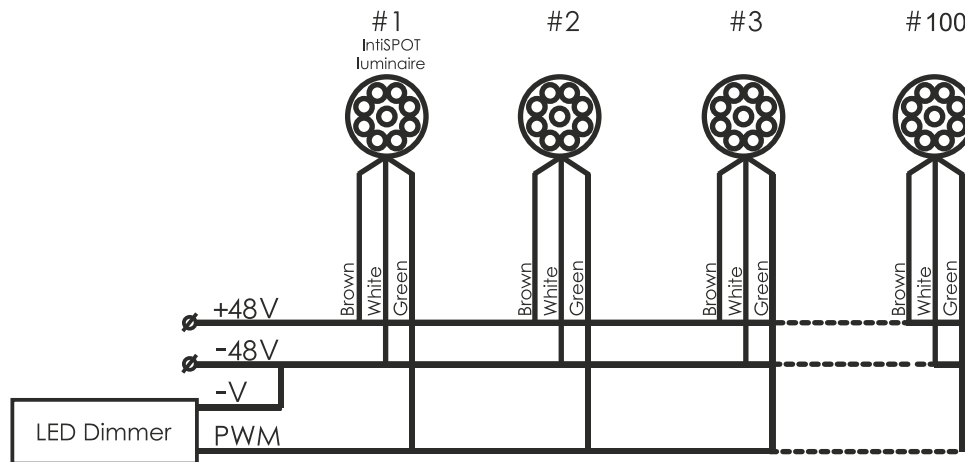
IntiSPOT embedded luminaire dimensional drawing



# IntiSPOT CONNECTION DIAGRAM

I N T I L E D

IntiSTOP white color luminaire connections diagram



Wire color                      Input/Output

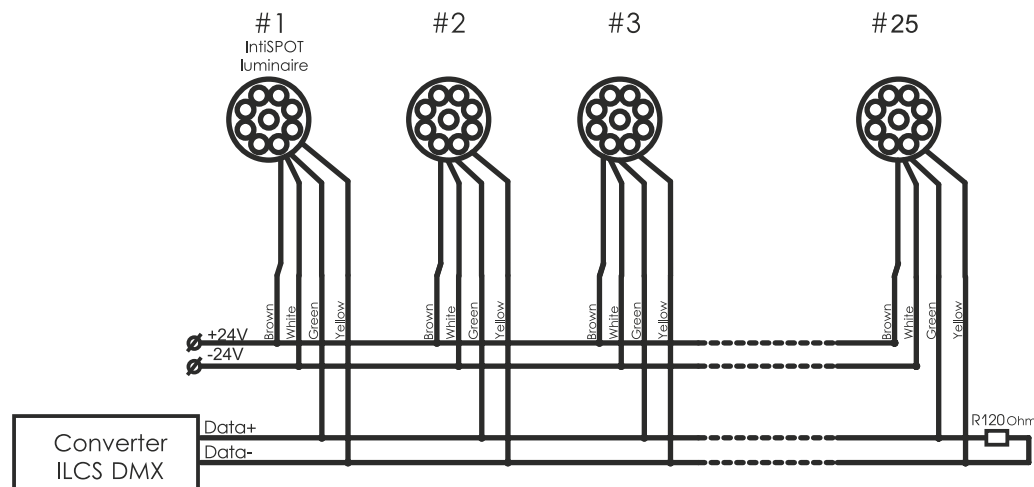
brown                              +48 V

white                                - 48 V

green                                PWM

Note. If the brightness control "PWM" is not used - green wire is not connected (isolated)

IntiSTOP dynamic color luminaire connections diagram



Wire color                      Input/Output

brown                                + 24 V

white                                - 24 V

green                                Data+

yellow                                Data-



# PORTFOLIO

INTILED

Perm Youth Theatre  
Perm



**PORTFOLIO**

"Art Residence" Apartments  
Moscow

INTILED



# PORTFOLIO

I N T I L E D

Bridge across the Vuoksa River  
Leningrad oblast



**PORTFOLIO**

"Helikon Opera" Building  
Moscow

INTILED



# PORTFOLIO

Megakacheli  
Moscow

INTILED



# PORTFOLIO

I N T I L E D

"Qalaalti Hotel & Spa" Hotel  
Baku



# PORTFOLIO

"Tabris" Shopping Center  
Krasnodar

I N T I L E D





more information available  
on the website