

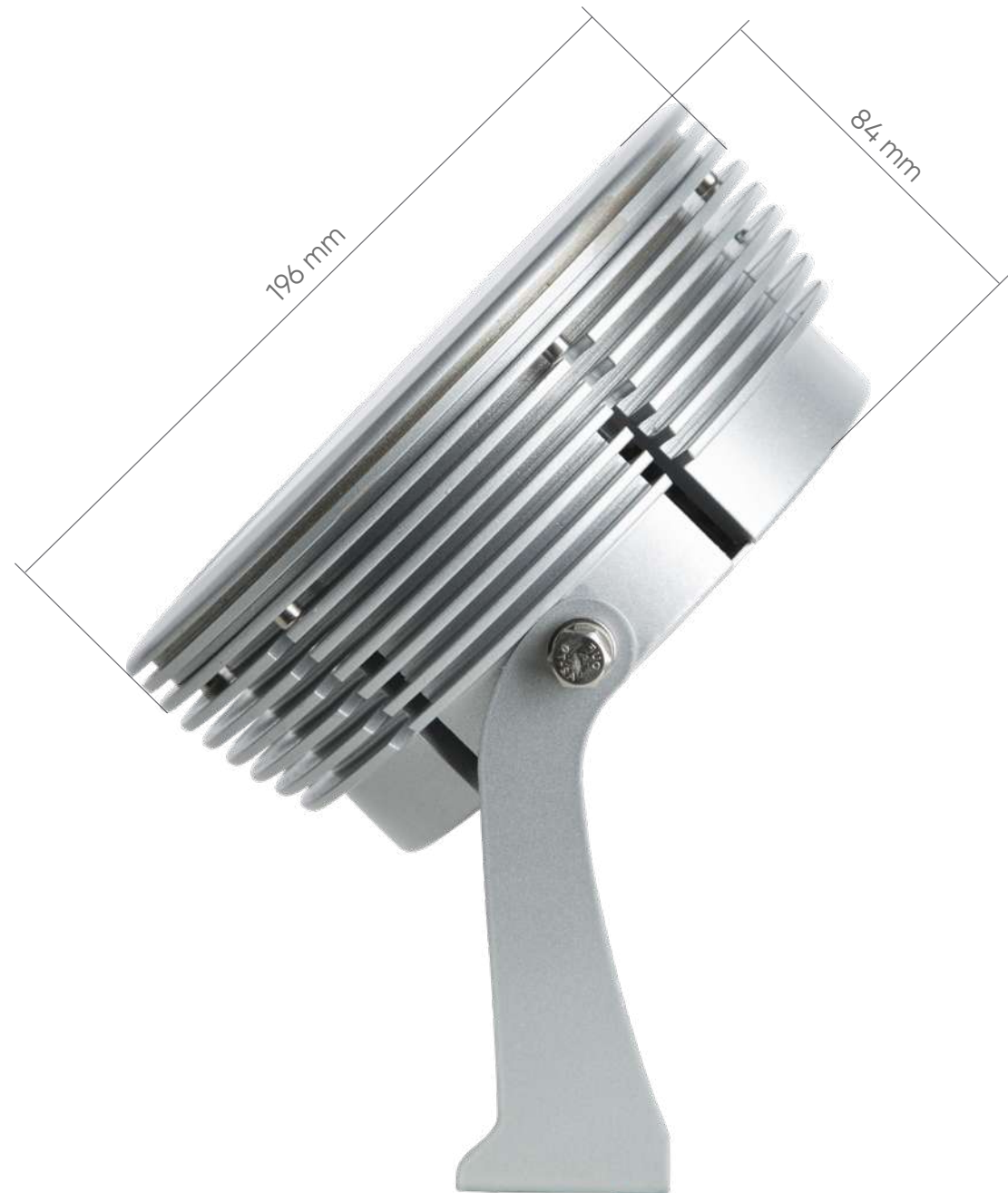
IntiBEAM
INTILED



IntiBEAM SPECIFIC DESCRIPTION

I N T I L E D

An ergonomic luminaire intended for creating narrow and bold 5-degree light beam

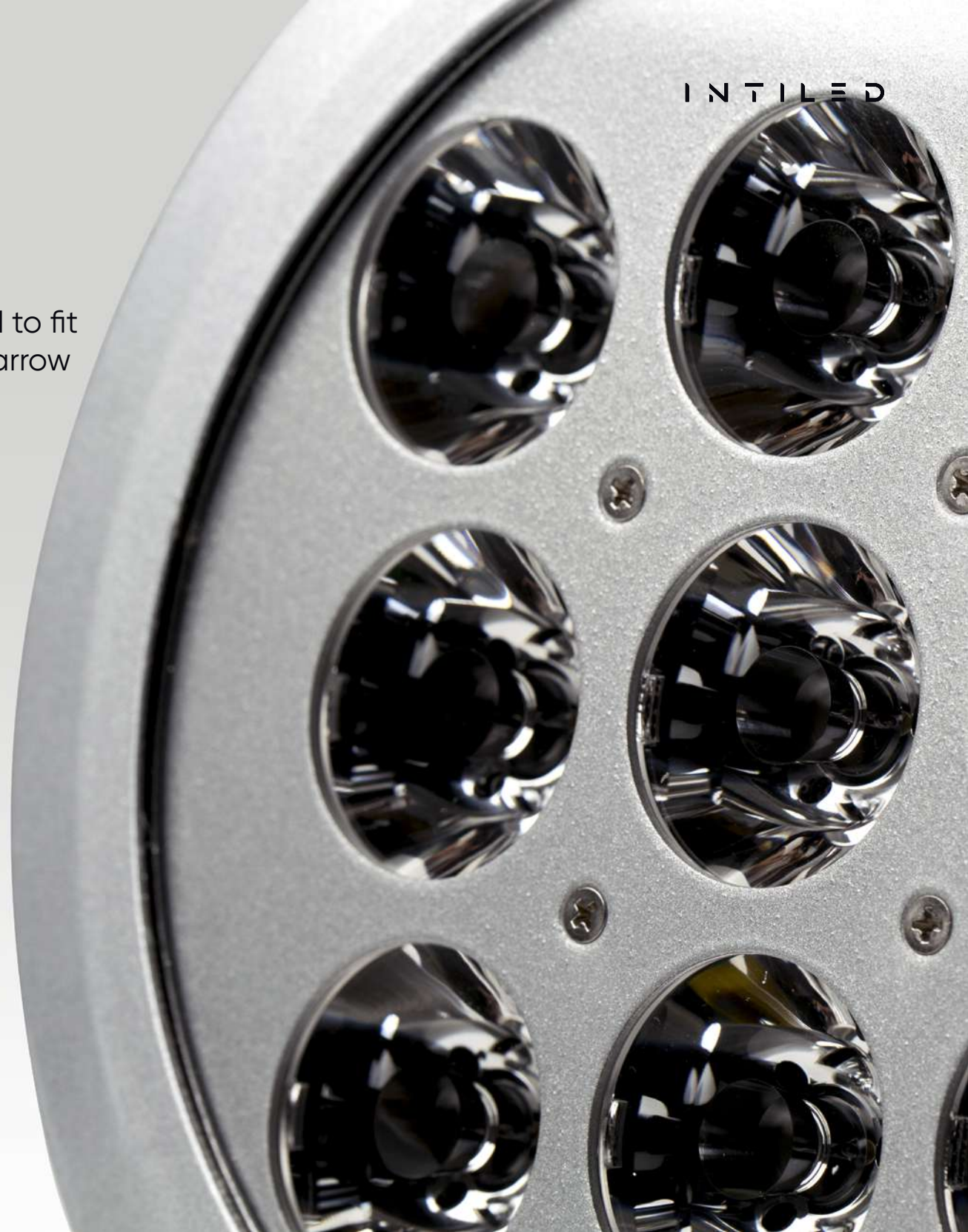


IntiBEAM SPECIFIC DESCRIPTION

INTILED

Narrow 5° secondary optics

Secondary optics is carefully selected to fit the utilized LED to ensure a uniform narrow light beam



IntiBEAM SPECIFIC DESCRIPTION

I N T I L E D

Waterproof components

Fully sealed internal components provide the IP66 protection rating



Original Nichia (Japan) LEDs

LED with primary optics are optimized for architectural applications and provide high light quality



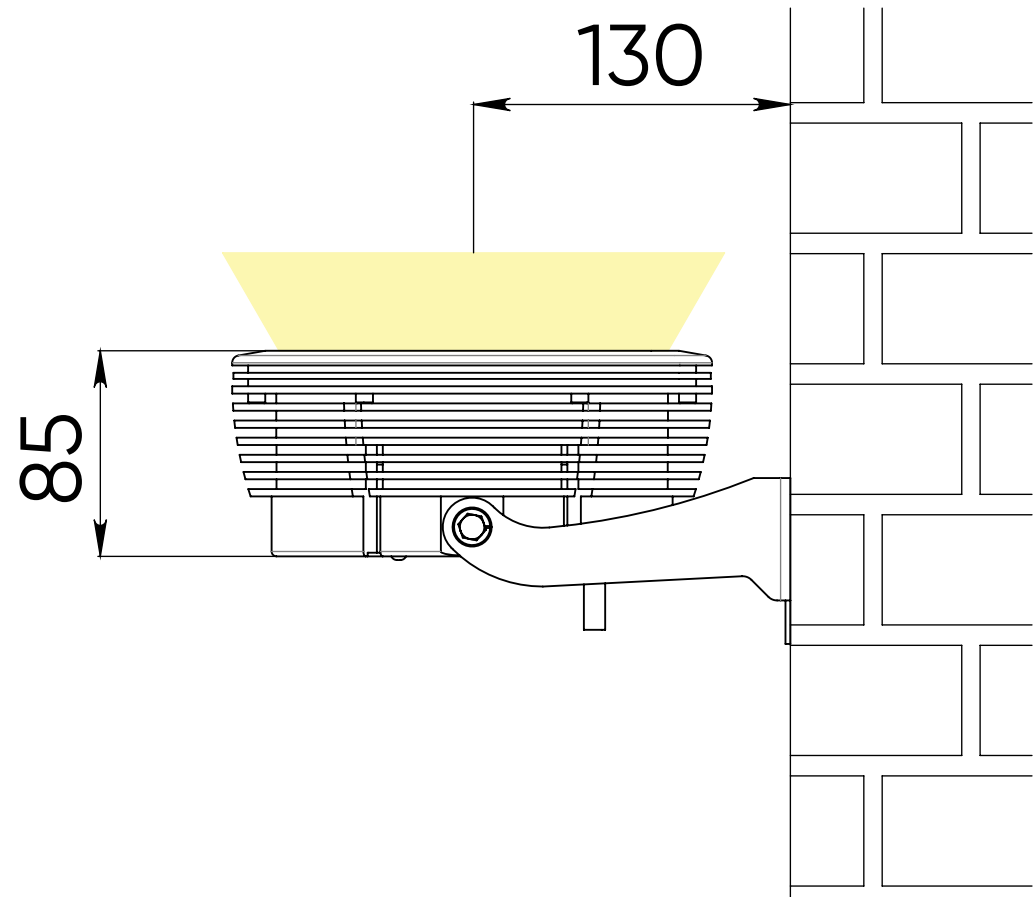
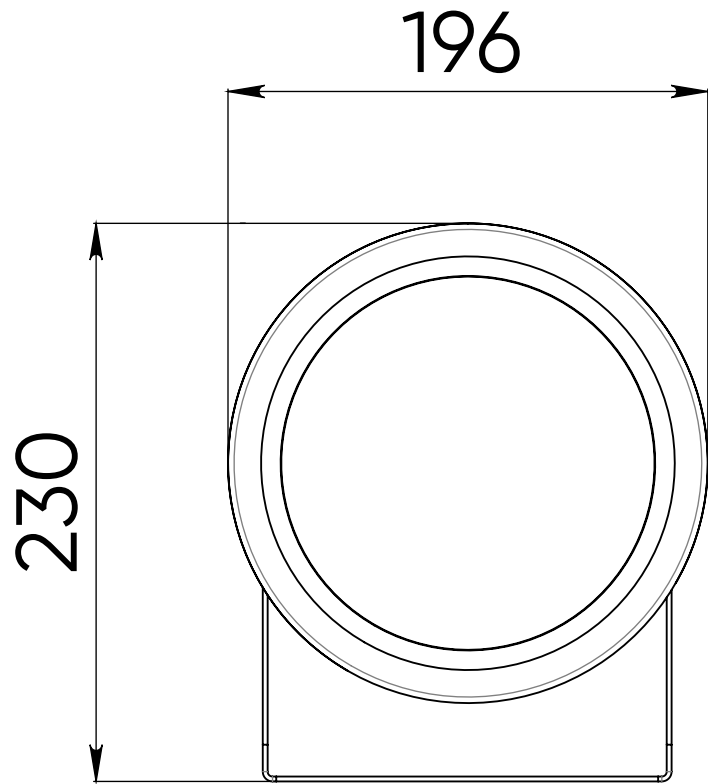
IntiBEAM MAIN TECHNICAL CHARACTERISTICS

I N T I L E D

Light source	Nichia (Japan) LEDs
Light color	white (3000 K, 4000 K, 5000 K)
Optics	5°
Luminous flux	2350, 2450 lm
Wattage	31 W
Voltage	90-264 V AC
Protection class	IP66
Operating temperature	tropical edition: -40°C ... +55°C standard edition: -40°C ... +45°C
Lifespan	not less than 50000 hours
Control	not available
Dimensions	196x196x84 mm
Weight	4 kg
Mounting	on an adjustable bracket
Customization	painting of body and brackets in any color according to the RAL palette; individual brackets for the project;

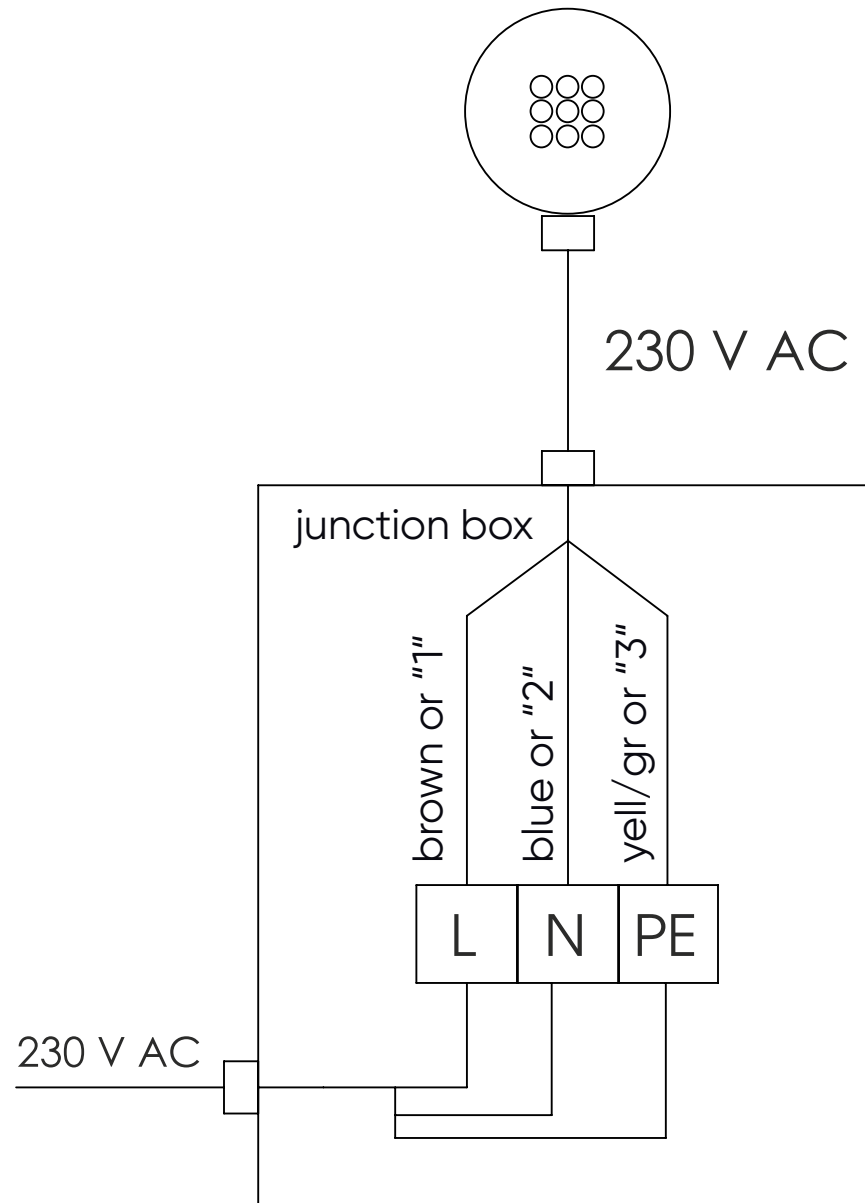
IntiBEAM DIMENSIONAL DRAWING

I N T I L E D



IntiBEAM CONNECTIONS DIAGRAM

I N T I L E D



PORTFOLIO

Kant Island
Kaliningrad



INTILED



PORTFOLIO

Riviera Club House
Ekaterinburg

INTILED



PORTFOLIO

"Pushkin" Business Centre
Krasnodar

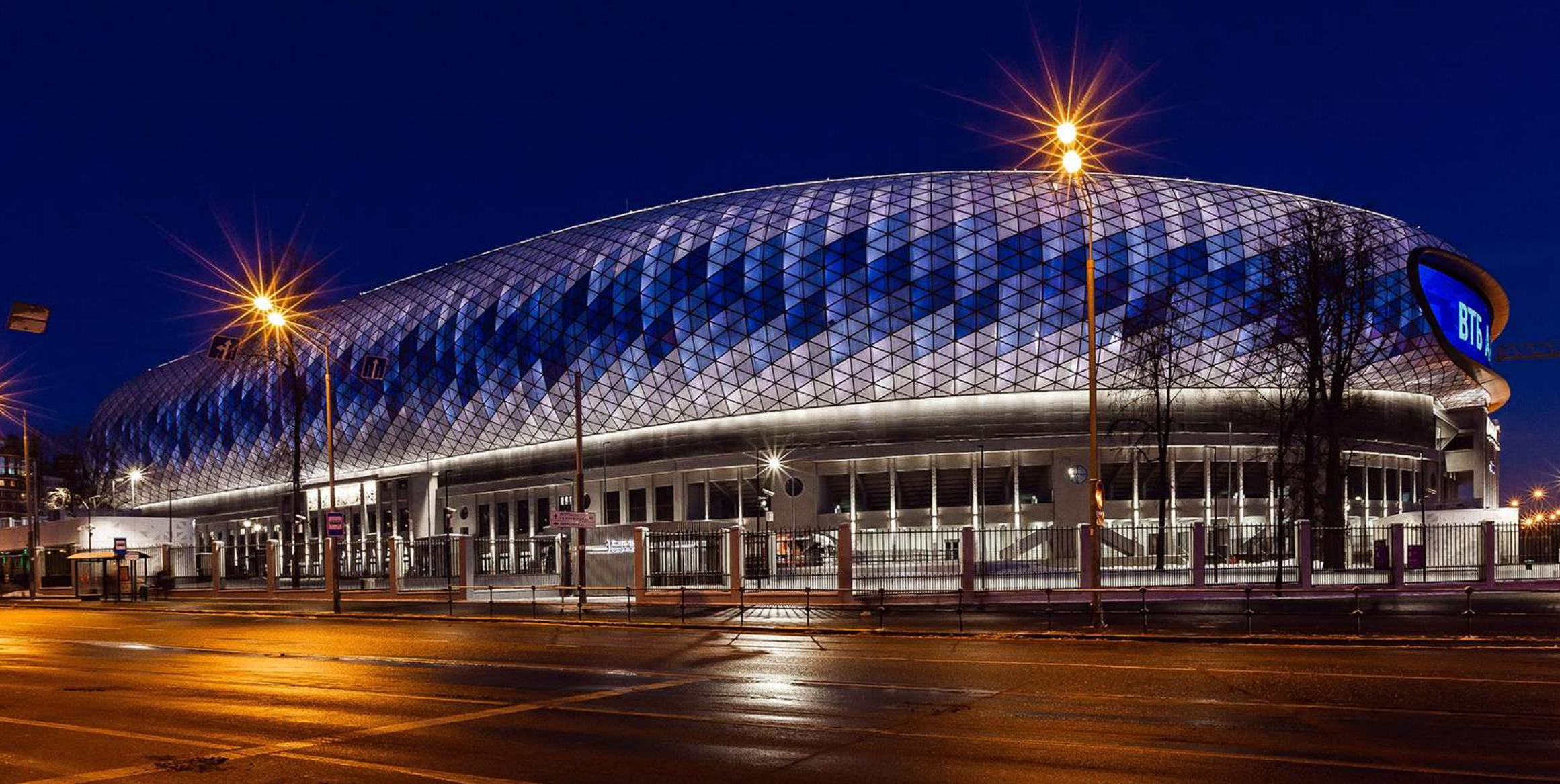
I N T I L E D



PORTFOLIO

I N T I L E D

"VTB Arena" Stadium
Moscow



PORTFOLIO

Apartment Hotel
Dubai

INTILED



PORTFOLIO

The Kasli Cast Iron Pavilion
Ekaterinburg

INTILED





more information available
on the website