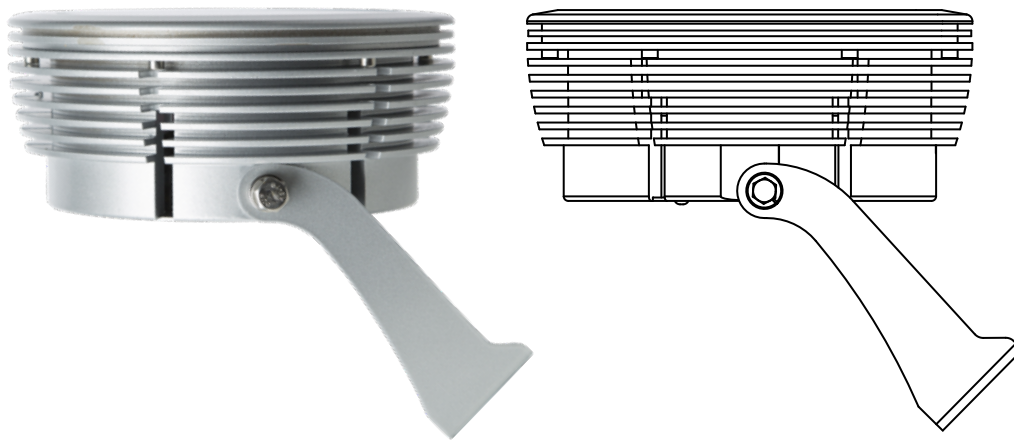
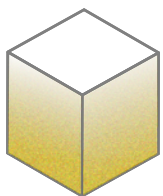


IntiBEAM

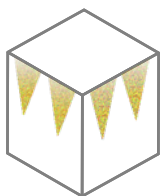
Ergonomic luminaire designed to create a narrow and precise 5° light beam. It can be used both for accent lighting of vertical façade elements and for floodlighting of distant objects.



Application

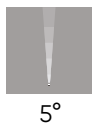
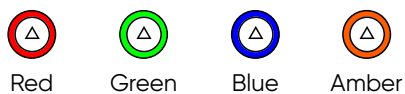


floodlight



accent

IntiBEAM



CRI
≥80 (for white color)

Color Binning
2 MacAdam ellipses for white,
±3 nm for color LED

Power factor
>0,9

Voltage
230 V AC

IP66

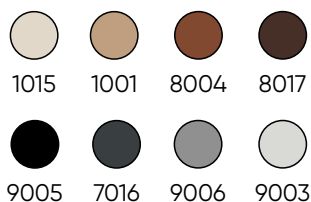
Lifespan
not less than 50 000 hours

- 40°C + 55°C

Controls, protocols
not available

Materials
housing – milled aluminum, covered with powder paint
protective glass – shock-resistant polycarbonate
brackets – zink-plated steel covered with powder paint
to fit the housing color
mounting plate – stainless steel

Standard RAL colors

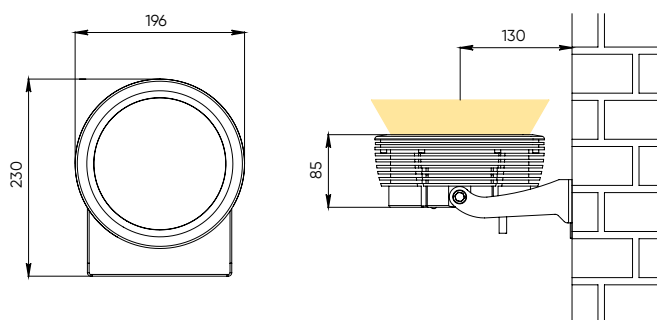


Standard coating type
moire

Accessories
screen

Customization
controls: DALI, PWM, DMX-512, DMX-512 + RDM
connectors IP68
cable length up to 5m
power supply: 12, 24, 48 V DC
optics, light color, wattage and luminous flux customized
for a specific project

Available custom versions



weight, kg
4

IntiBEAM

1. Select a model

Serial code	Color	W, max	lm, max
IRF9-3	white	31	2450
	color mono	29	1050

2. Create an article number

Serial code	Color	Optics	Controls	Supply voltage*
IRF9-3	W30 W40 W50 R G B A	5	not available	H

* H – supply voltage 230 V AC

3. Select accessories

Type	Article number	Height, mm
screen	BEAM-03-100	100