



GROUND-mini

INTILED

GROUND-mini SPECIFIC FEATURES

I N T I L E D

GROUND-mini is a miniature, inground marker luminaire designed for functional and decorative lighting



GROUND-mini SPECIFIC FEATURES

I N T I L E D

The main tasks of the fitting: navigation (marking of footpaths, illumination of obstacles, etc.), creating subtle light accents on a façade or in a landscape



GROUND-mini LIGHTING EFFECT

I N T I L E D

The impeccable lighting effect is the result of the latest generation of LED with narrow binning. The matt diffuser with 80% light transmission provides a soft, diffused lighting effect without glare



GROUND-mini SPECIFIC FEATURES

I N T I L E D

The light output of GROUND-mini is sufficient to illuminate architectural cityscape elements



GROUND-mini SPECIFIC FEATURES

INTILED

The minimalist stylish design combines exceptional durability and resistance to potential damage in public locations



GROUND-mini MAIN TECHNICAL CHARACTERISTICS

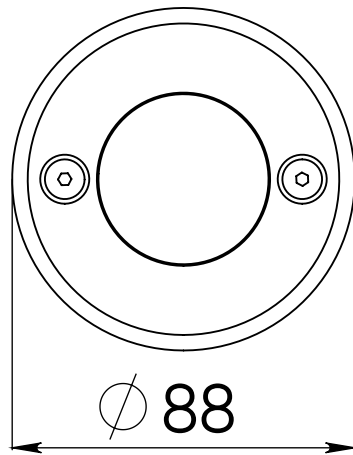
I N T I L E D

Light source	Nichia (Japan)
Light color	white (3000 K, 4000 K, 5000 K), green, red, blue, amber
Optics	120°
Luminous flux	35 lm
Wattage	<3,5 W
Voltage	230 V AC
Protection class	IP67
Operating temperature	-40°C ... +45°C
Lifespan	no less than 50 000 hours
Control	not available
Dimensions	85x85x100 mm
Weight	0,7 kg
Mounting	build into the ground
Customization	voltage 12 V DC; PWM control

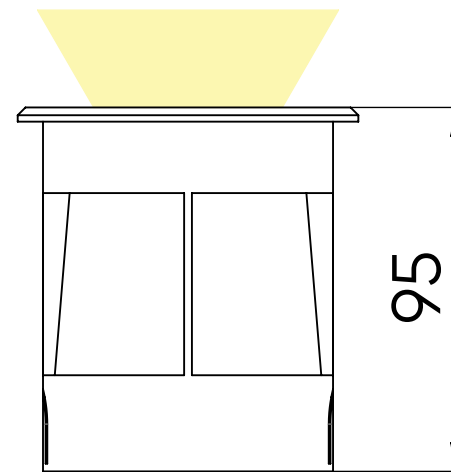
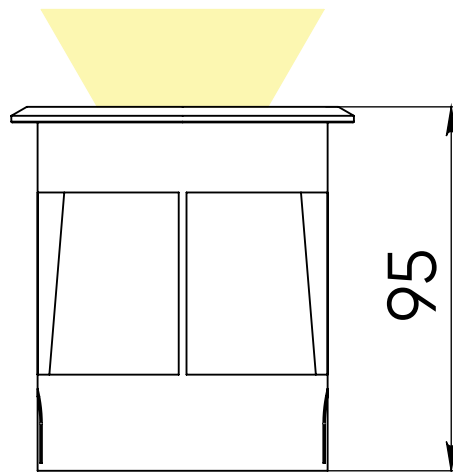
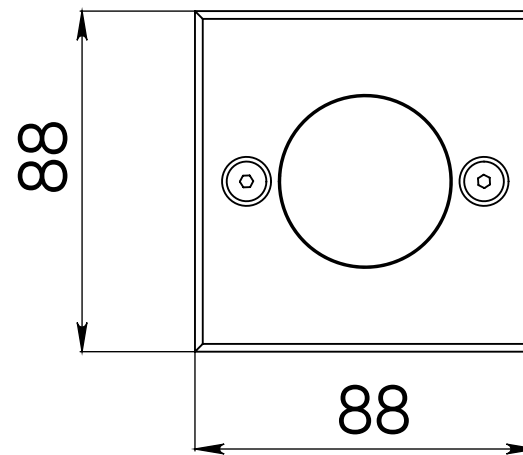
GROUND-mini DIMENSIONAL DRAWING

I N T I L E D

Round decorative frame

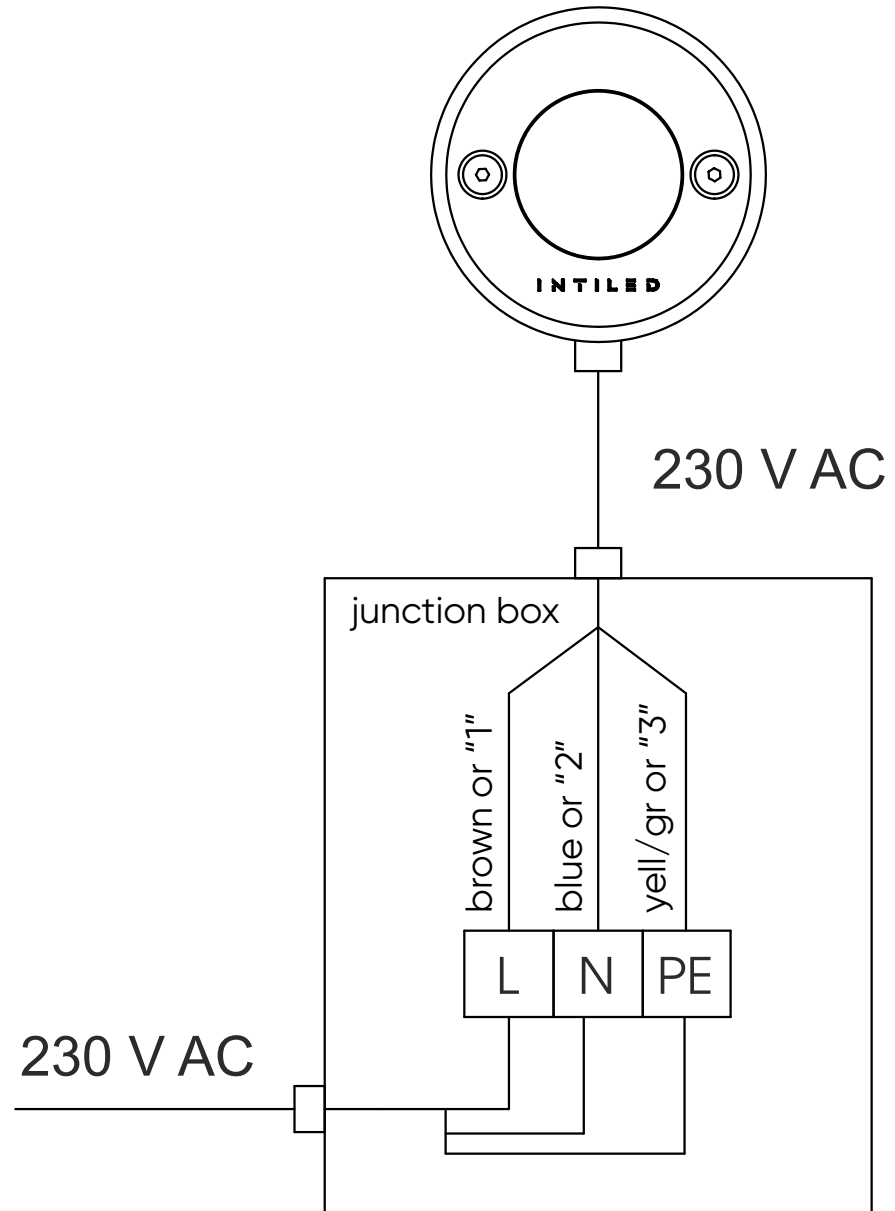


Square decorative frame



GROUND-mini CONNECTIONS DIAGRAM

I N T I L E D





more information available
on the website