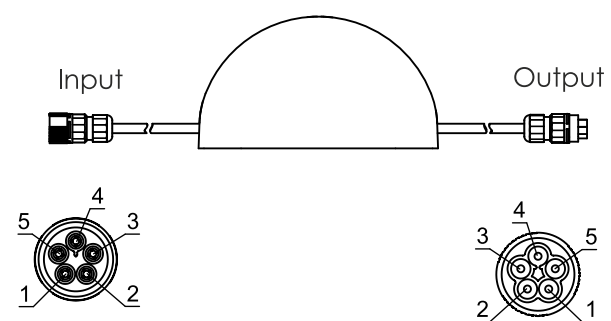
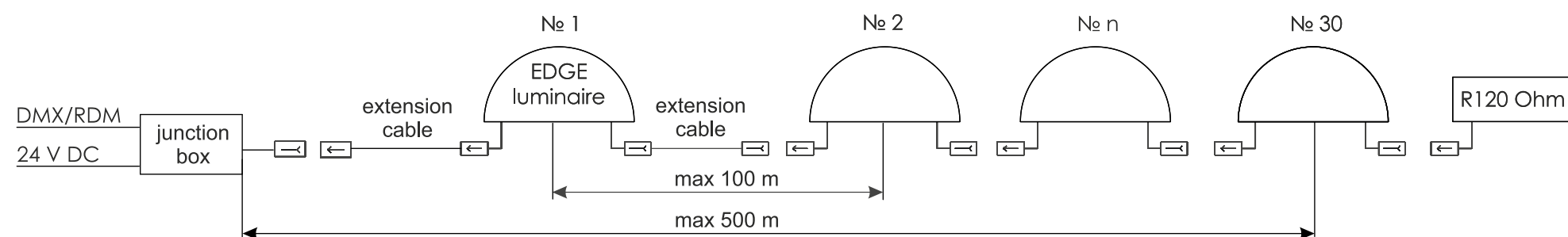
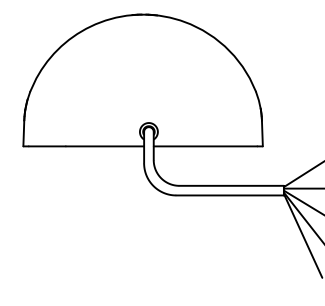
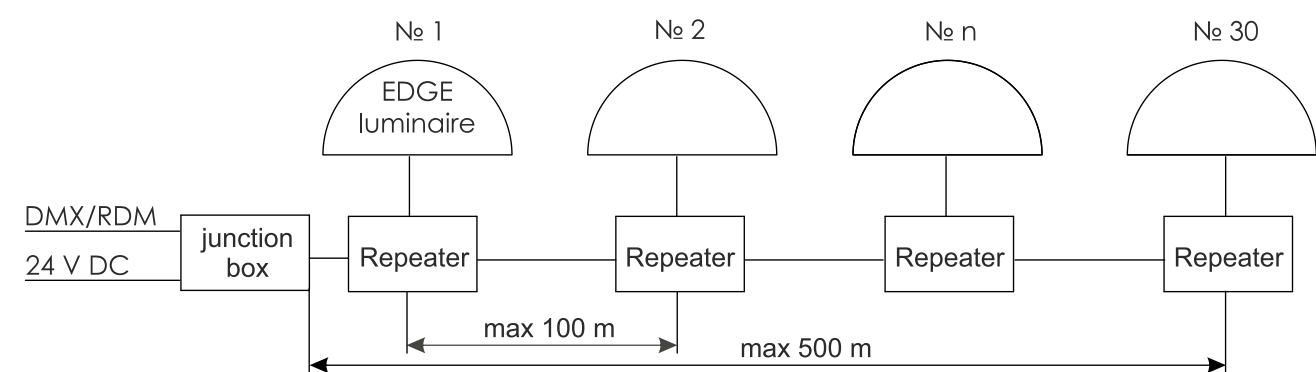


EDGE luminaire connections diagram



N	Wire color	Input/Output
1	screen	+ V DC
2	white	- V DC
3	red	+ DATA
4	black	- DATA
5	red	GND



Wire section	Wire color	Input/Output
-	screen	GND
0,24 mm ²	white	- DATA
0,24 mm ²	red	+ DATA
1,0 mm ²	black	- V DC
1,0 mm ²	red	+ V DC