



DOT
INTILED

LUMINAIRE POSITIONING

I N T I L E D

DOT – an ideal solution for creating massive media façades that can be observed from afar



APPLICATION, USP

I N T I L E D

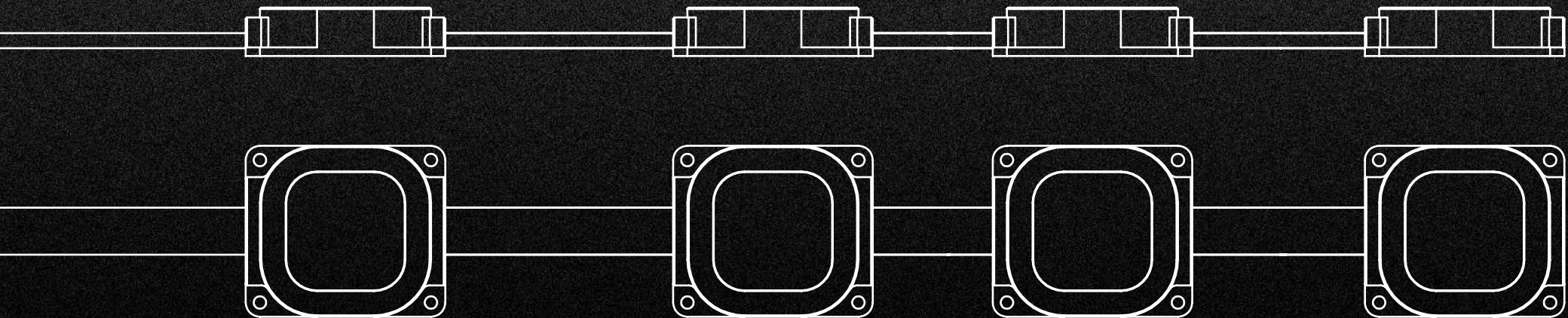
DOT – a luminaire intended primarily for outdoor use. The increased pixel size makes it possible to read the content on the façade even from a very large distance



STRUCTURE AND COMPOSITION OF THE LIGHTING SYSTEM

I N T I L E D

The standard pixel pitch is 150 mm, but it can be customized according to project's requirements. One DOT arrangement can consist of 10, 20, 30 pixels.



HIGH QUALITY LIGHT

INTILED

Luminous flux - 180 lm per pixel. RGBW multichip LEDs with high CRI provide flawless lighting effect standard for any INTILED fixture, in any of 16 million colors.



Each pixel luminaire is controlled separately, using the DMX-512 protocol or its extended version, which includes a full-fledged RDM. It provides maximum opportunities for a complete control of the lighting system, which is so necessary when working with large and extra-large projects. The DOT system is fully compatible with the LIGHTCAD software developed inhouse.



PROTECTION

I N T I L E D

An extended degree of protection IP67 is necessary when working with projects that are challenging to construct (skyscrapers or any high-rise objects, complex façades, variable climatic conditions zone or location, etc.).

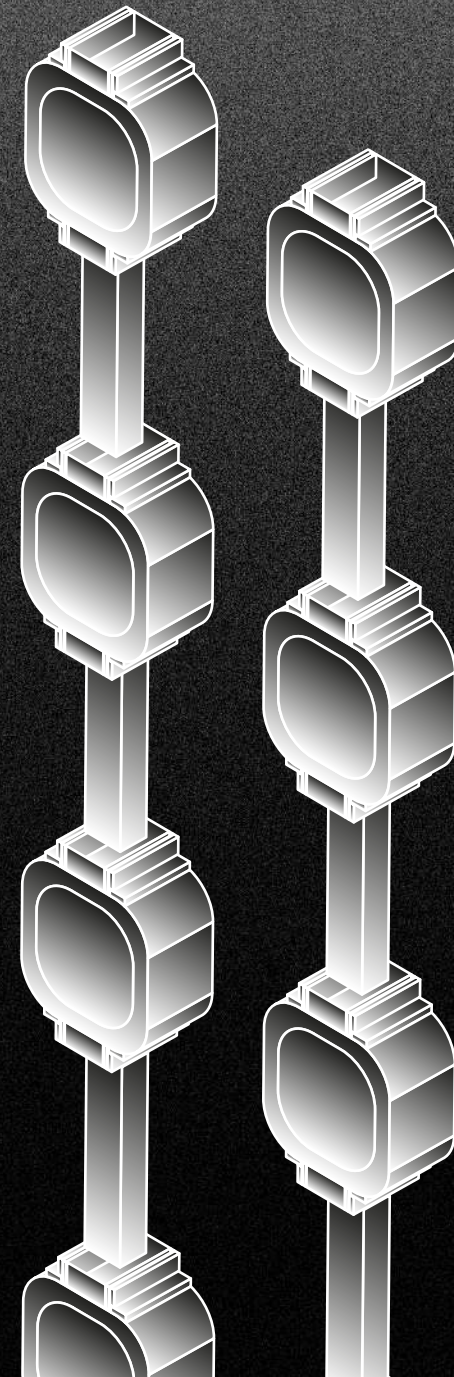
The existing DOT protection ensures stable operation of the product in a wide temperature range from -40 to $+55^{\circ}\text{C}$ and air humidity up to 100%.



COMPONENTS

The body is made of high quality aluminum, withstanding aggressive environmental factors. The polycarbonate diffuser with full UV protection retains its optical properties for many years.

I N T I L E D

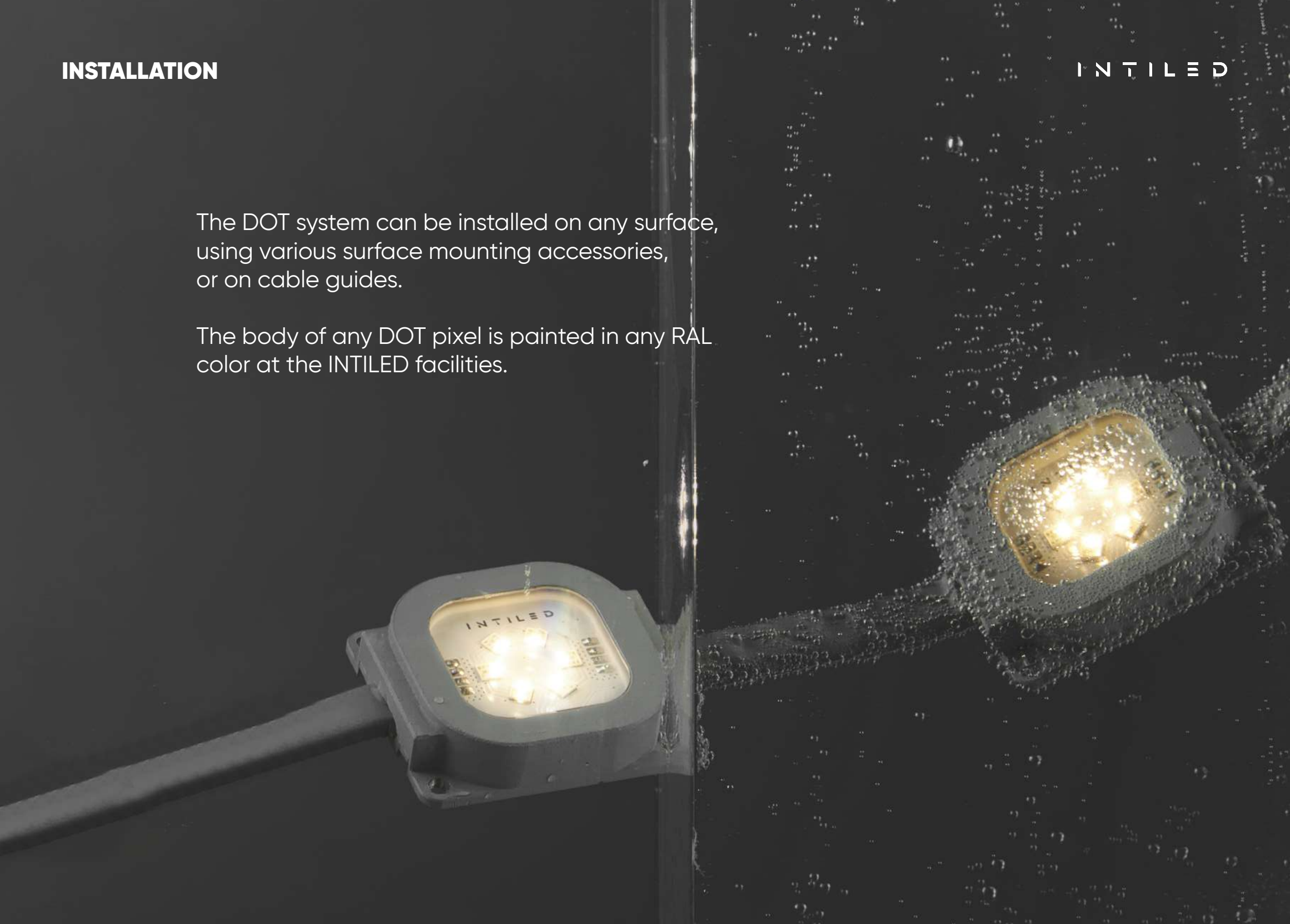


INSTALLATION

INTILED

The DOT system can be installed on any surface, using various surface mounting accessories, or on cable guides.

The body of any DOT pixel is painted in any RAL color at the INTILED facilities.



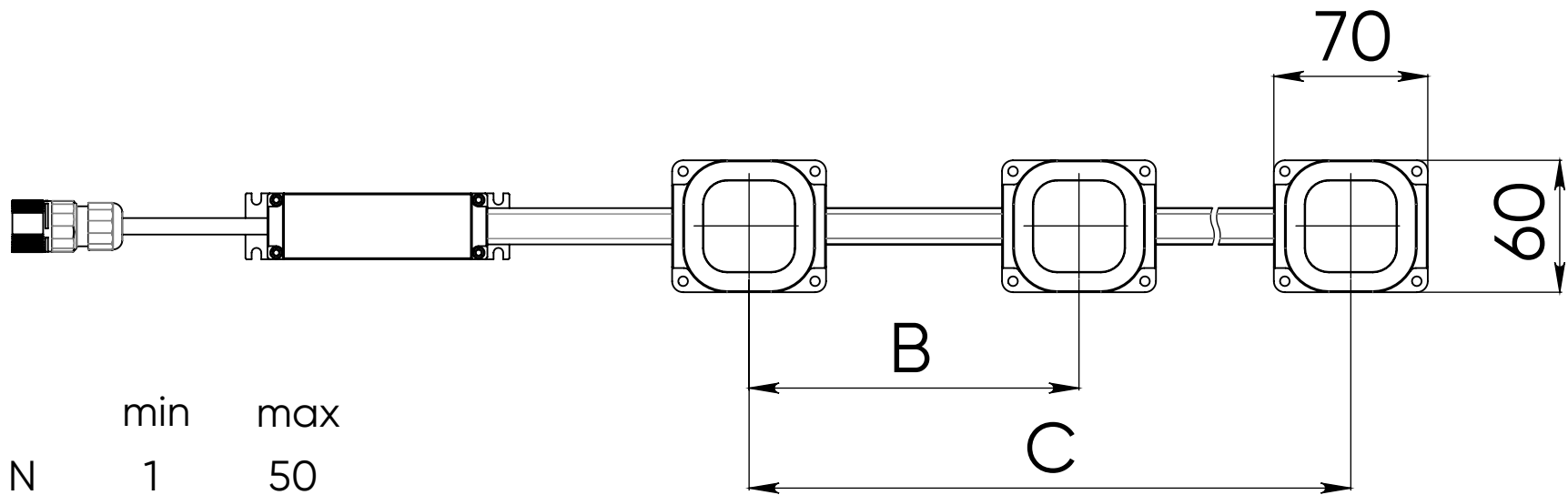
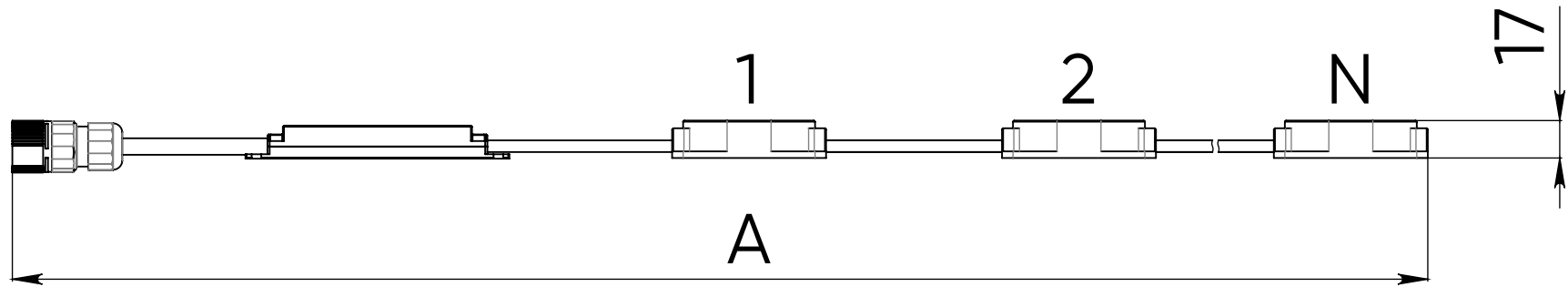
DOT MAIN TECHNICAL CHARACTERISTICS

I N T I L E D

Light source	RGBW multichip LEDs (Lumileds, USA)
Light color	fullcolor
CRI	≥80
Luminous flux	180 lm per pixel
Wattage	3,6 W per pixel
Voltage	24 V DC
Protection class	IP67
Operating temperature	-40°C ... +55°C
Lifespan	no less than 50 000 hours
Control	DMX-512, DMX-512 + RDM
Dimensions pixel	70x60x17 mm
Weight pixel	0,25 kg
Mounting	surface, on cable guides
Customization	body in any RAL color

DOT DIMENSIONAL DRAWING

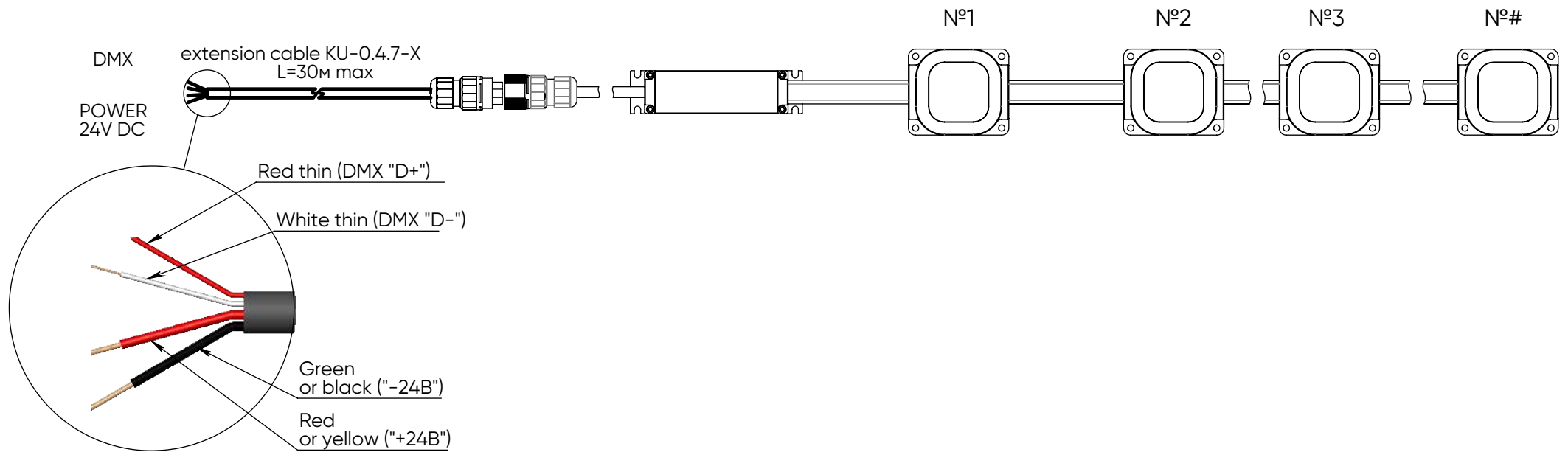
I N T I L E D



	min	max
N	1	50
A	370	15300
B	150	500
C	150	15000

DOT CONNECTIONS DIAGRAM

I N T I L E D





more information available
on the website