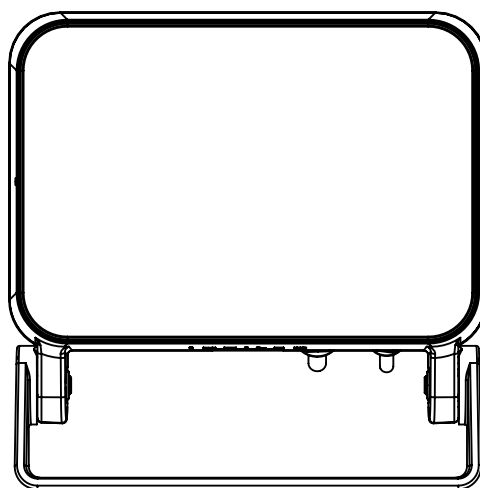
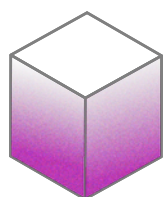


# BOX fullcolor NEW

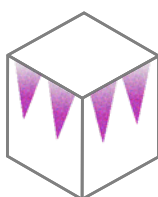
A new family of spotlights for floodlighting and accent façade lighting, with all the latest INTILED technologies in the optimally balanced body.



## Application



floodlight

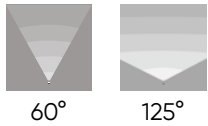


accent

# BOX fullcolor



fullcolor  
(multichip RGBW65)



**CRI**  
≥70 (for white color)

**Color binning**  
2 MacAdam ellipses for white,  
±3 nm for color LED

**Power factor**  
>0,9

**Voltage**  
230 V AC

**IP66**

**Lifespan**  
not less than 50 000 hours

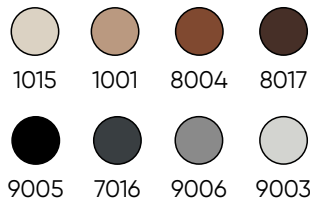
- 40°C + 55°C

**Controls, protocols**  
DMX-512 + RDM

**Controls, pixel size**  
1 luminaire – 1 pixel

**Materials**  
housing, bracket – cast aluminum  
protective glass – tempered glass

**Standard RAL colors**



**Standard coating type**  
moire

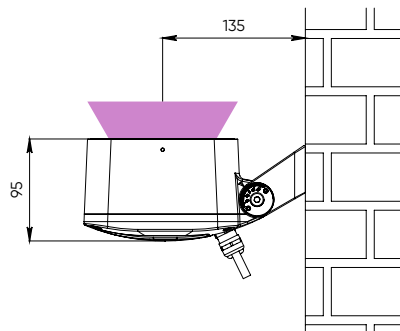
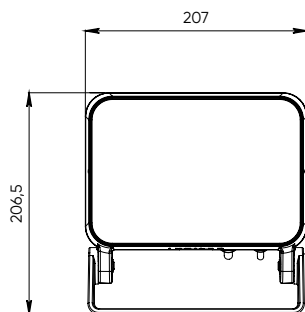
**Accessories**  
screens  
tubes  
louvers

**Customization**  
connectors IP68  
cable length up to 5m  
voltage: 12, 24, 48 V DC  
tunable white (TW) version  
wattage and luminous flux customized for a specific project

**Available custom versions**



**Technologies**



weight, kg  
4

# BOX fullcolor



## 1. Select a model

Serial code	W, max	Im, max
IMF10-2	60	1400

## 2. Create an article number

Serial code	Color	Optics	Controls*	Supply voltage**
IMF10-2	FC	15 15x60 30 60 125	R	H

\* R – protocol DMX-512 + RDM

\*\*H – supply voltage 230 V AC

## 3. Select accessories

Type*	Article number	Height, mm
screen	BOX-01-050	50
	BOX-01-070	70
	BOX-01-100	100
tube	BOX-02-090	90
	BOX-02-140	140

\* screen – for grazing floodlighting

tube – for lighting of spatial structures

Type*	Article number	Cells	Height, mm
louver	BOX-01-050	2x3	50
	BOX-02-030	3x5	30

\* louver – for floodlighting from supports, for optics 10° and 30°