

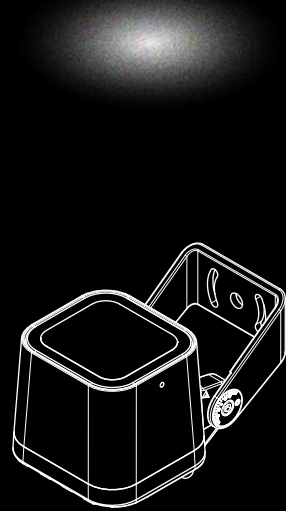
BOX
INTILED



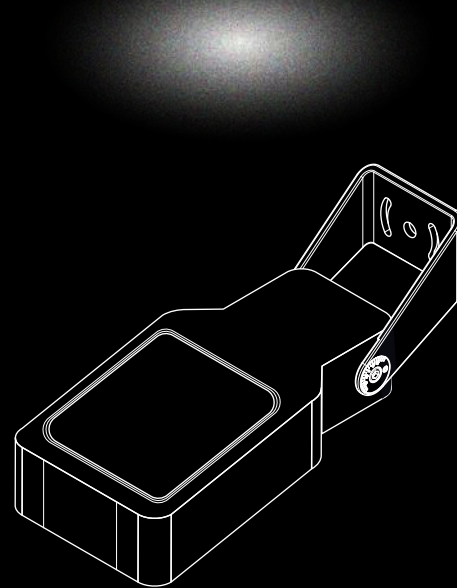
BOX is a new family of floodlighting
and accent projectors for façade lighting



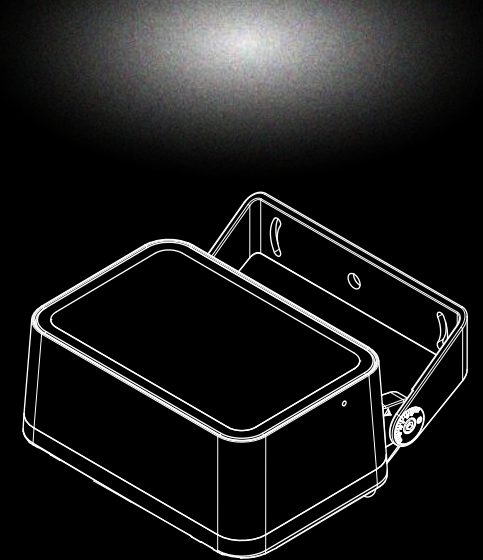
SPOT



KUB

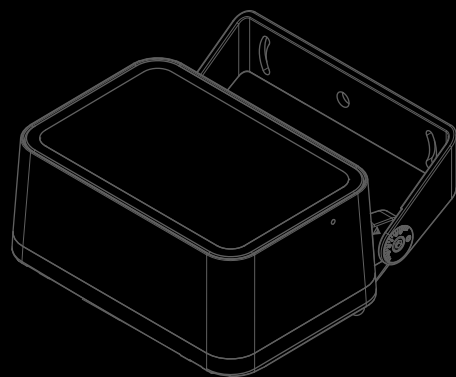


RAY

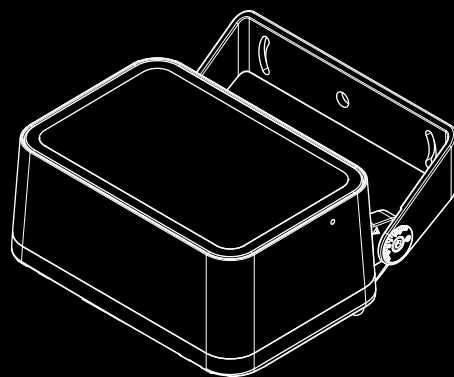


BOX

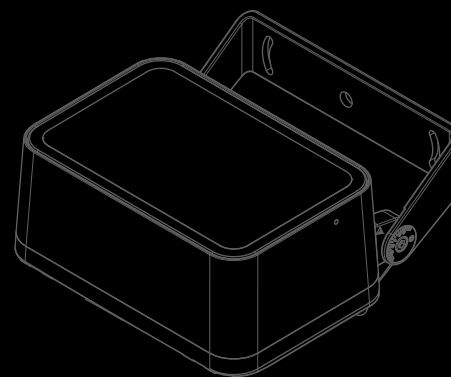
BOX family will be introduced in several versions:
30 W, 50 W, 100 W, 200 W. 50-W version
is presented first.



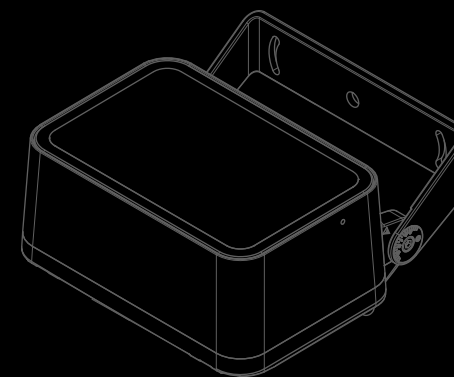
30 W



50 W



100 W



200 W

BOX is a luminaire where all INTILED technical solutions are balanced inside of the compact housing



BOX MAIN FEATURES

I N T I L E D

ColorPro® technology in color versions provide maximum brightness of each color in a dynamic modes, keeping the energy consumption stable

EternalTechnology® in all BOX versions helps avoiding critical overheating or overcooling of the components and extends the lifespan of the product

Well-thought-out mounting system: a combination of special-shaped bracket, adjusting scale and Nord-Lock® system provides fast and precise mounting and makes the service easier

Perfect lighting effect in any of BOX versions



Architectural lighting

Landscape lighting

Functional lighting

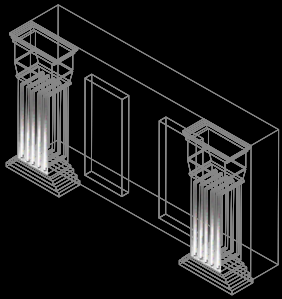
Accent lighting

Flood lighting

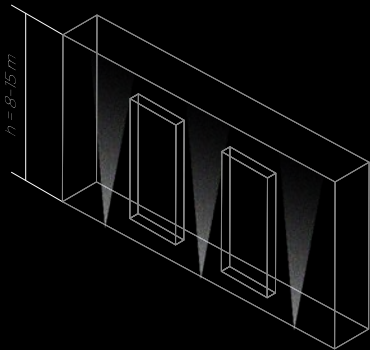
Flood lighting

Flood lighting

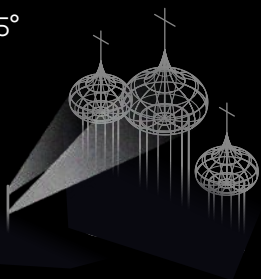
sliding
15°



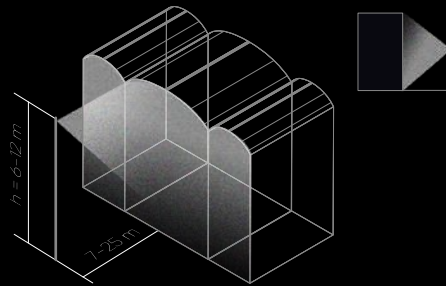
sliding
15x50°, 10x30°



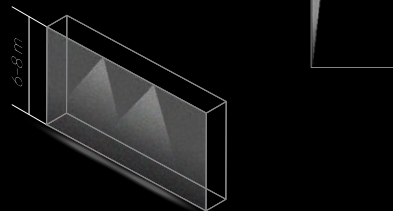
frontal
15°



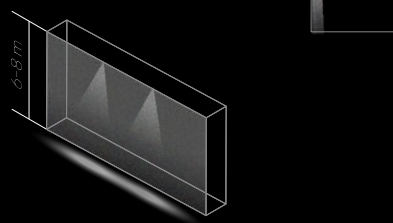
façade
15°, 30°, 65°, 85°



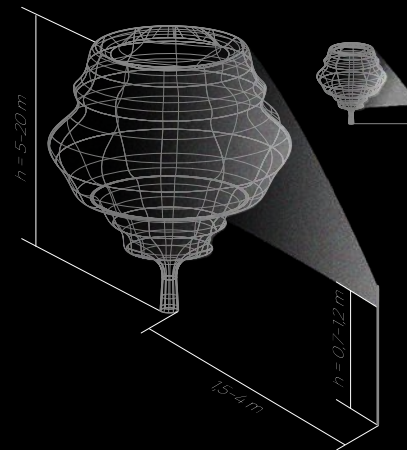
uniform illumination
façade
35x105°



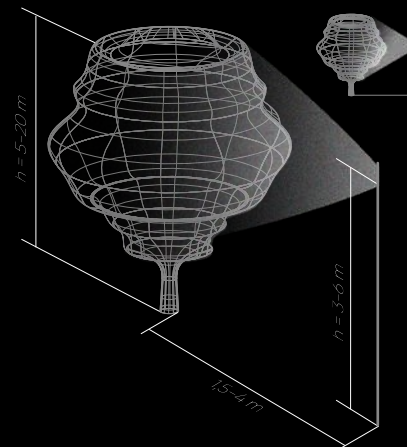
uniform illumination
façade and ground
15x50°



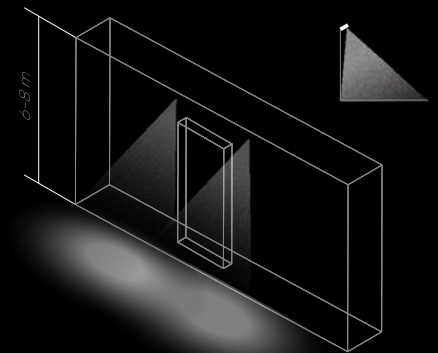
sliding
10x30°, 30°, 65°



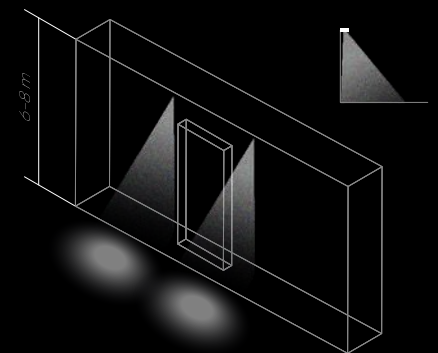
frontal
10x30°, 30°, 65°



sliding area lighting
35x105°

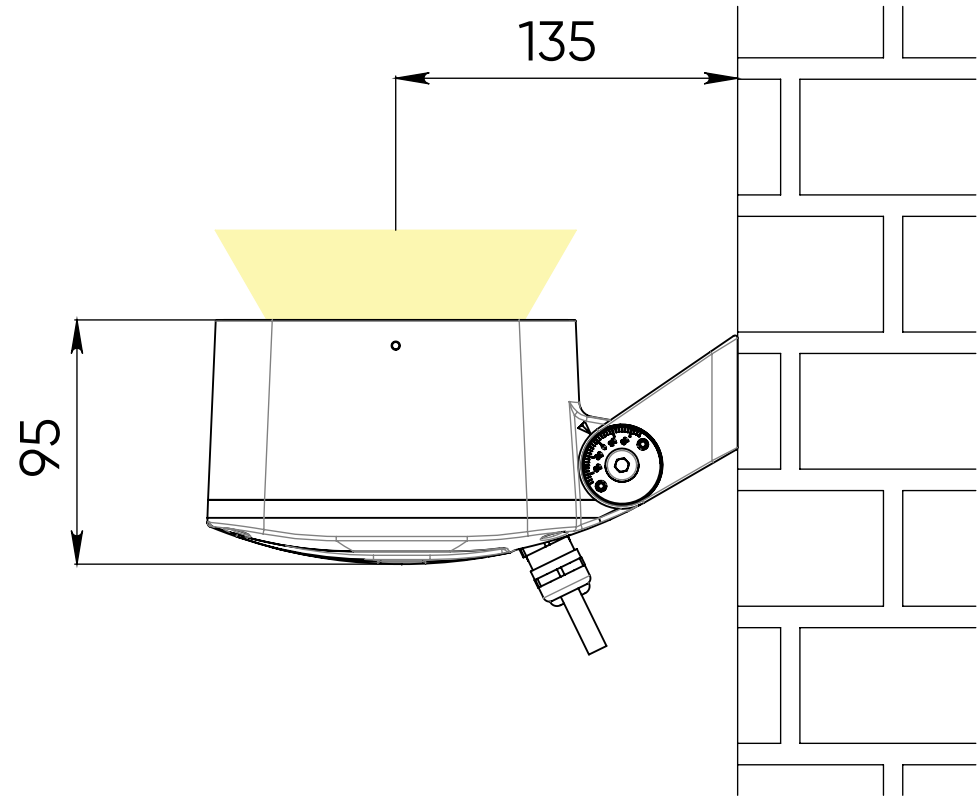
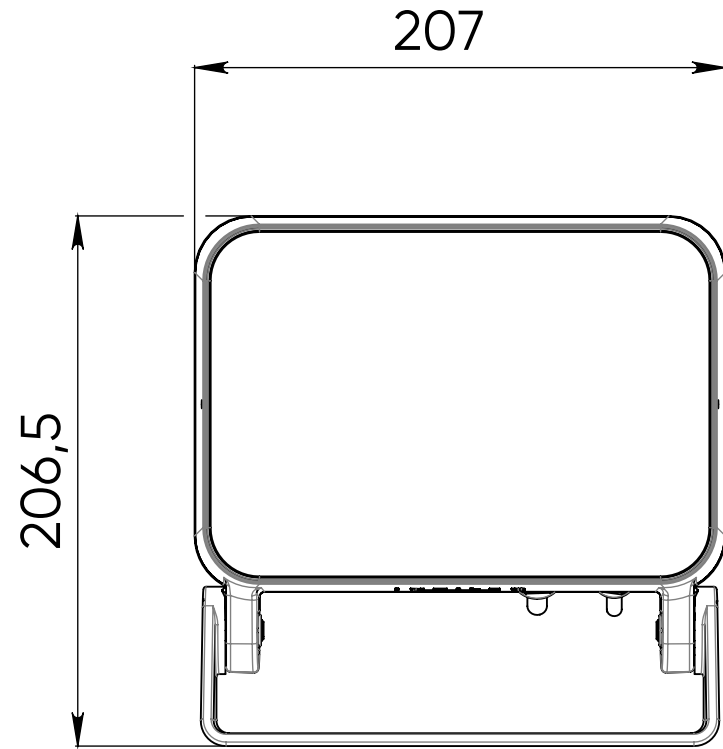


sliding building lighting
and area
65°



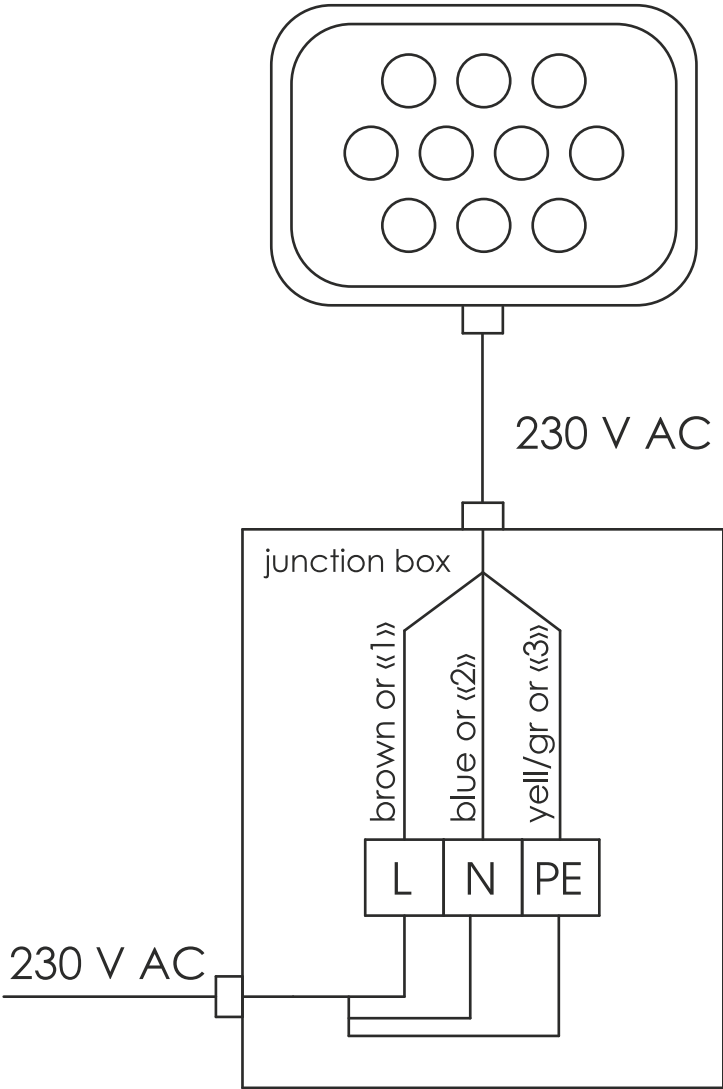
BOX DIMENSIONAL DRAWING

I N T I L E D



BOX CONNECTION DIAGRAM

I N T I L E D



BOX 50 W TECHNICAL SPECIFICATION

I N T I L E D

Light color	white (3000 K, 4000 K, 5000 K), red, green, blue, amber, RGBW, RGBA
Optics	15°, 30°, 65°, 85°, 125°, 9a10°, 10a30°, 15x50°, 35x105°
Lumen output	mono: up to 6250 lm RGBW, RGBA: 1600 lm
Control	mono: DMX-512, DMX-512+RDM, PWM RGBW, RGBA: DMX-512, DMX-512+RDM
Wattage	50 W, 60 W
Voltage	230 V AC
Protection class	IP66/IP67
Pulsation coefficient	<1%
Mechanical resistance	IK08
Operating temperature	-40°C ... +55°C
Lifespan	not less than 50 000 hours
Dimensions	207x147x95 – without bracket 207x206,5x95 – with bracket
Weight	4 kg
Materials	housing, bracket – die-cast aluminum; diffusor – tempered glass
Contents of delivery	luminaire, passport, package

BOX MODEL RANGE

I N T I L E D

9α10°

15°

10α30°

30°

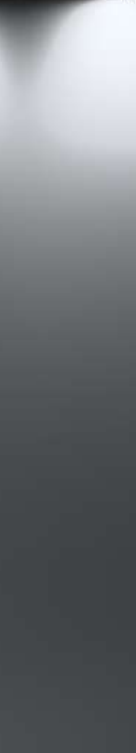
15x50°

65°

85°

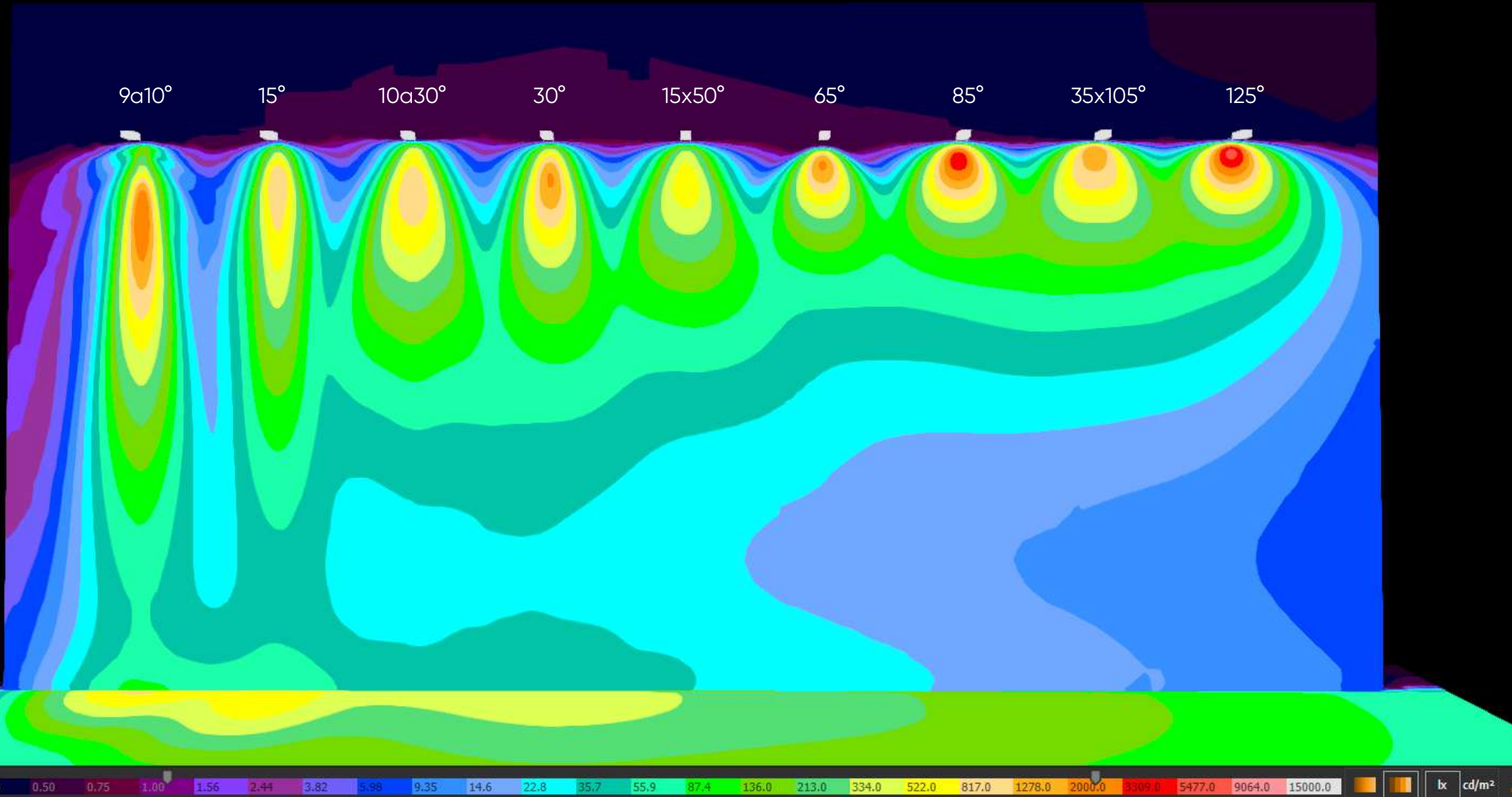
35x105°

125°



BOX MODEL RANGE. ILLUMINANCE

I N T I L E D



lx cd/m²

BOX MODEL RANGE. LUMINANCE

I N T I L E D

9α10°

15°

10α30°

30°

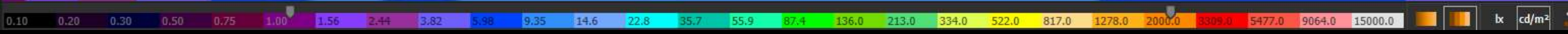
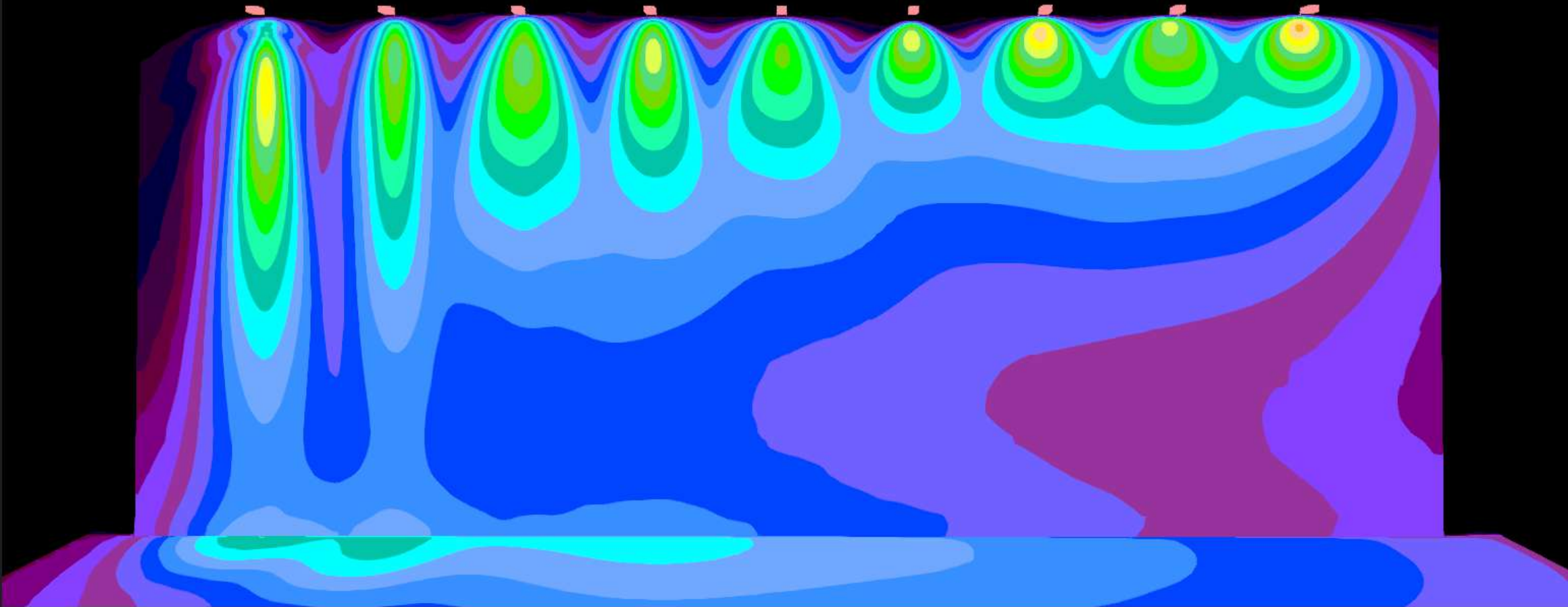
15x50°

65°

85°

35x105°

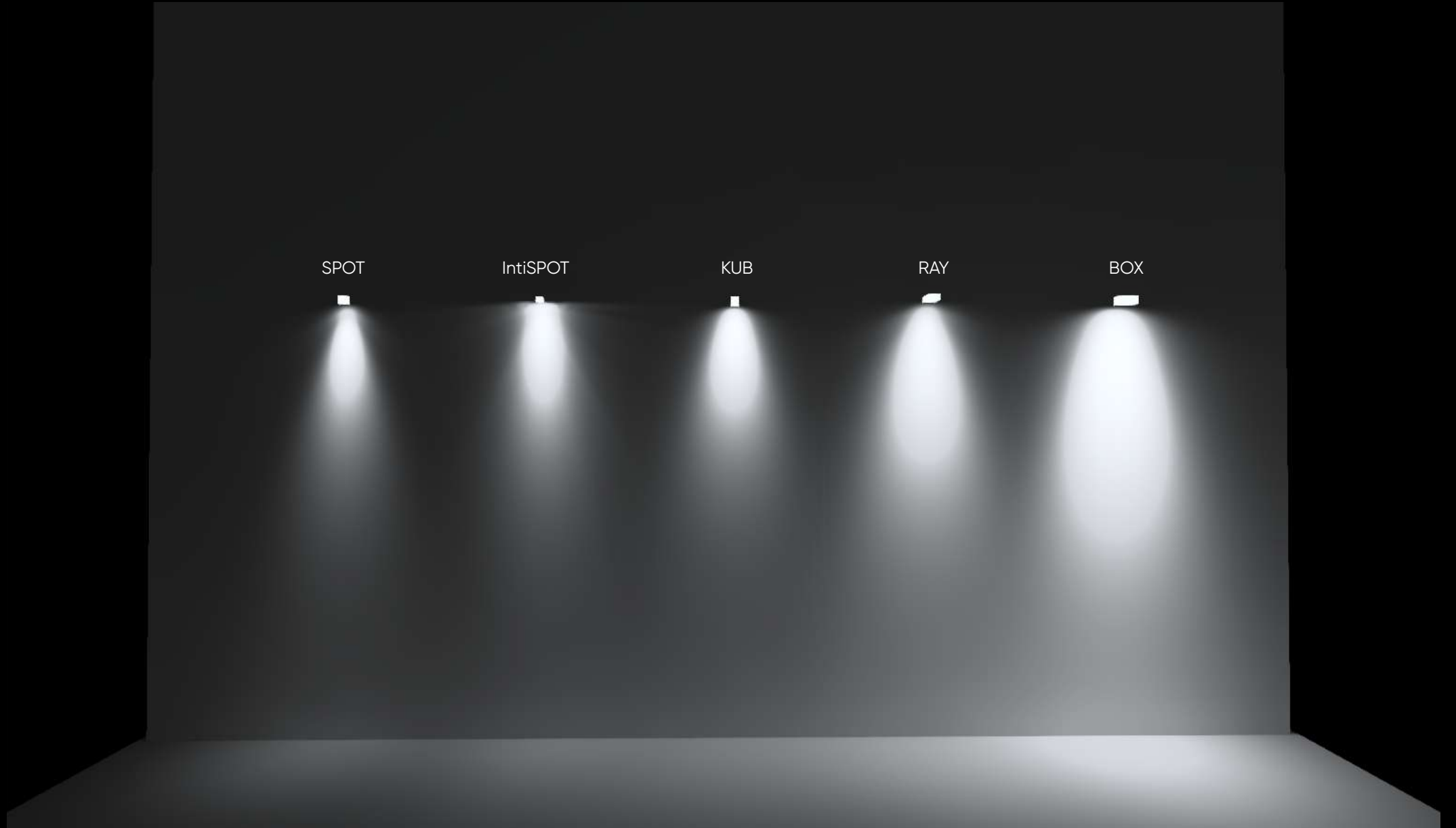
125°



lx cd/m²

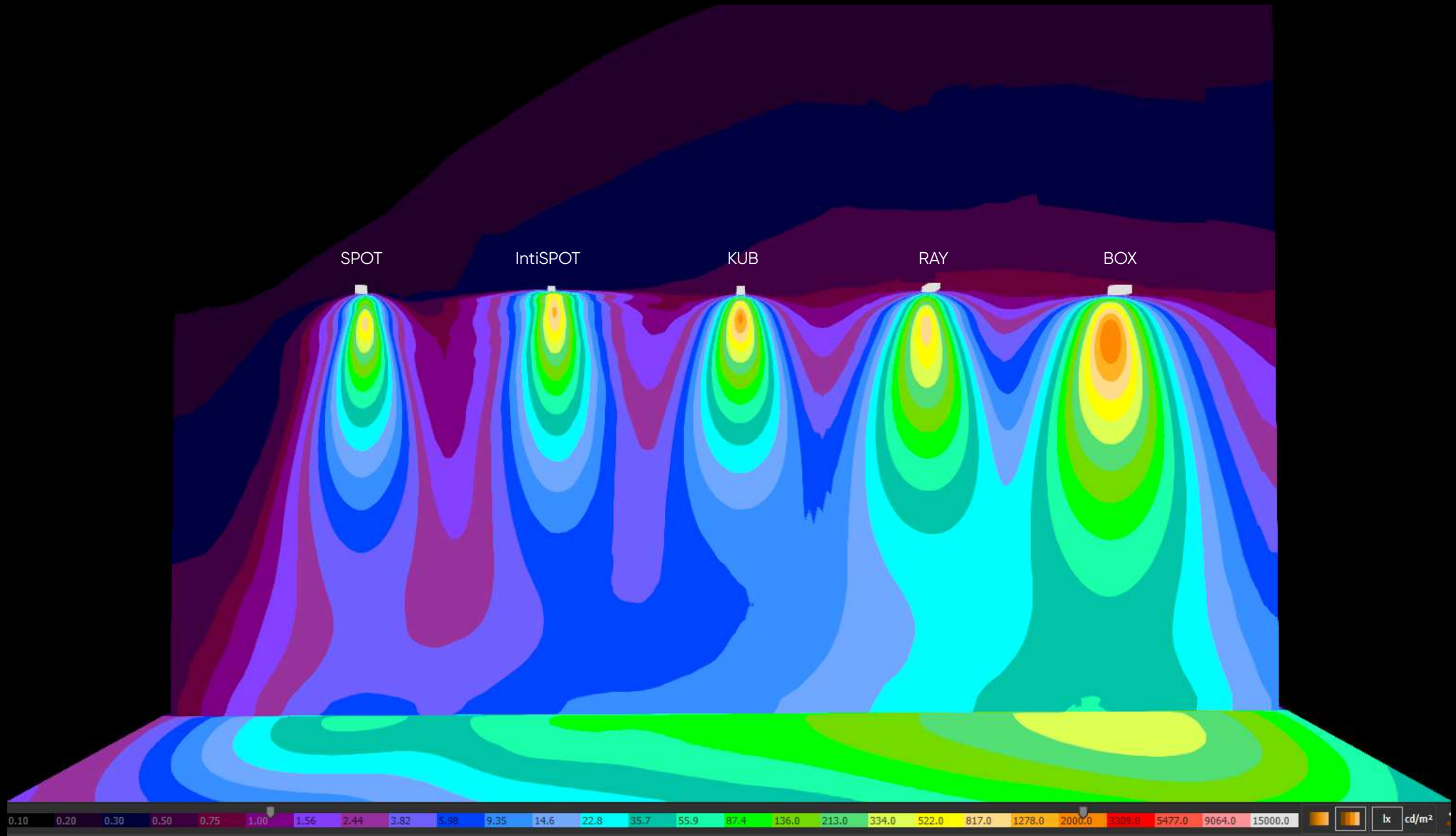
COMPARISON BETWEEN DIFFERENT SERIES OF PRODUCTS

I N T I L E D



COMPARISON BETWEEN DIFFERENT SERIES OF PRODUCTS. ILLUMINANCE

I N T I L E D



more info

