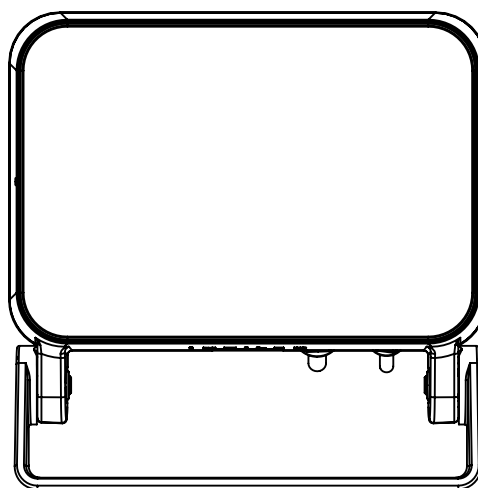
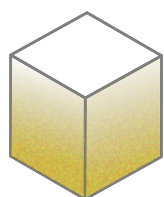


BOX NEW

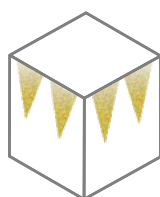
A new family of spotlights for floodlighting and accent façade lighting, with all the latest INTILED technologies in the optimally balanced body.



Application

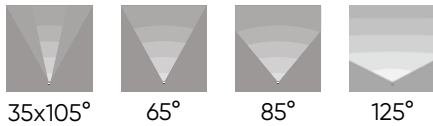
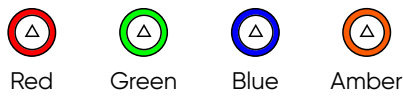


floodlight



accent

BOX NEW



CRI
≥80 (for white color)

Color binning
2 MacAdam ellipses for white,
±3 nm for color LED

Power factor
>0,9

Voltage
230 V AC

IP66

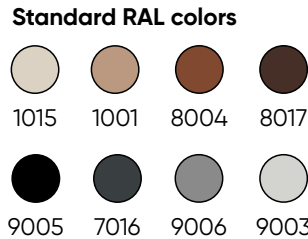
Lifespan
not less than 50 000 hours

- 40°C + 55°C

Controls, protocols
monochrome: not available
multichannel: DMX-512 + RDM

Controls, pixel size
1 luminaire – 1 pixel

Materials
housing, bracket – cast aluminum
diffusor – tempered glass



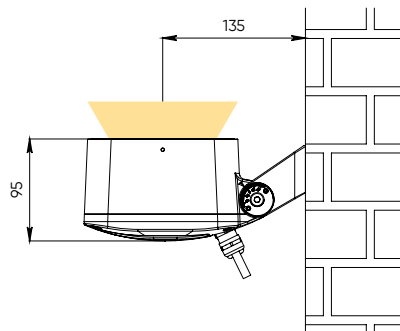
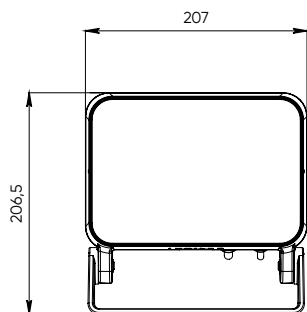
Standard coating type
moire

Accessories
screens
tubes
louvres

Customization
controls for monochrome: DALI, PWM,
DMX-512, DMX-512 + RDM
connectors IP68
cable length up to 5m
voltage: 12, 24, 48 V DC
optics, light color, wattage and luminous flux
customized for a specific project

Available custom versions

Technologies



weight, kg
4

BOX NEW

monochrome

1. Select a model

Serial code	Color	W, max	lm, max
IMF24-2	white	55	5300
	color mono	60	4200

2. Create an article number

Serial code	Color	Optics	Controls	Supply voltage*
IMF24-2	W30	9α10	not available	H
	W40	10α30		
	W50	15x50		
	R	15		
	G	30		
	B	35x105		
	A	65		
		85		
		125		

* H – supply voltage 230 V AC

multichannel

1. Select a model

Serial code	Color	W, max	lm, max
IMF24-2	RGBW	60	1650
	RGBA	60	700

2. Create an article number

Serial code	Color	Optics	Controls*	Supply voltage**
IMF24-2	RGBW30	9α10	R	H
	RGBW40	10α30		
	RGBW50	15x50		
	RGBA	15		
		30		
		35x105		
		65		
		85		
		125		

* R – protocol DMX-512 + RDM

**H – supply voltage 230 V AC

3. Select accessories

Type*	Article number	Height, mm
screen	BOX-01-050	50
	BOX-01-070	70
	BOX-01-100	100
tube	BOX-02-090	90
	BOX-02-140	140

* screen – for grazing floodlighting

tube – for lighting of spatial structures

Type*	Article number	Cells	Height, mm
louver	BOX-01-050	2x3	50
	BOX-02-030	3x5	30

* louver – for floodlighting from supports, for optics 10° and 30°