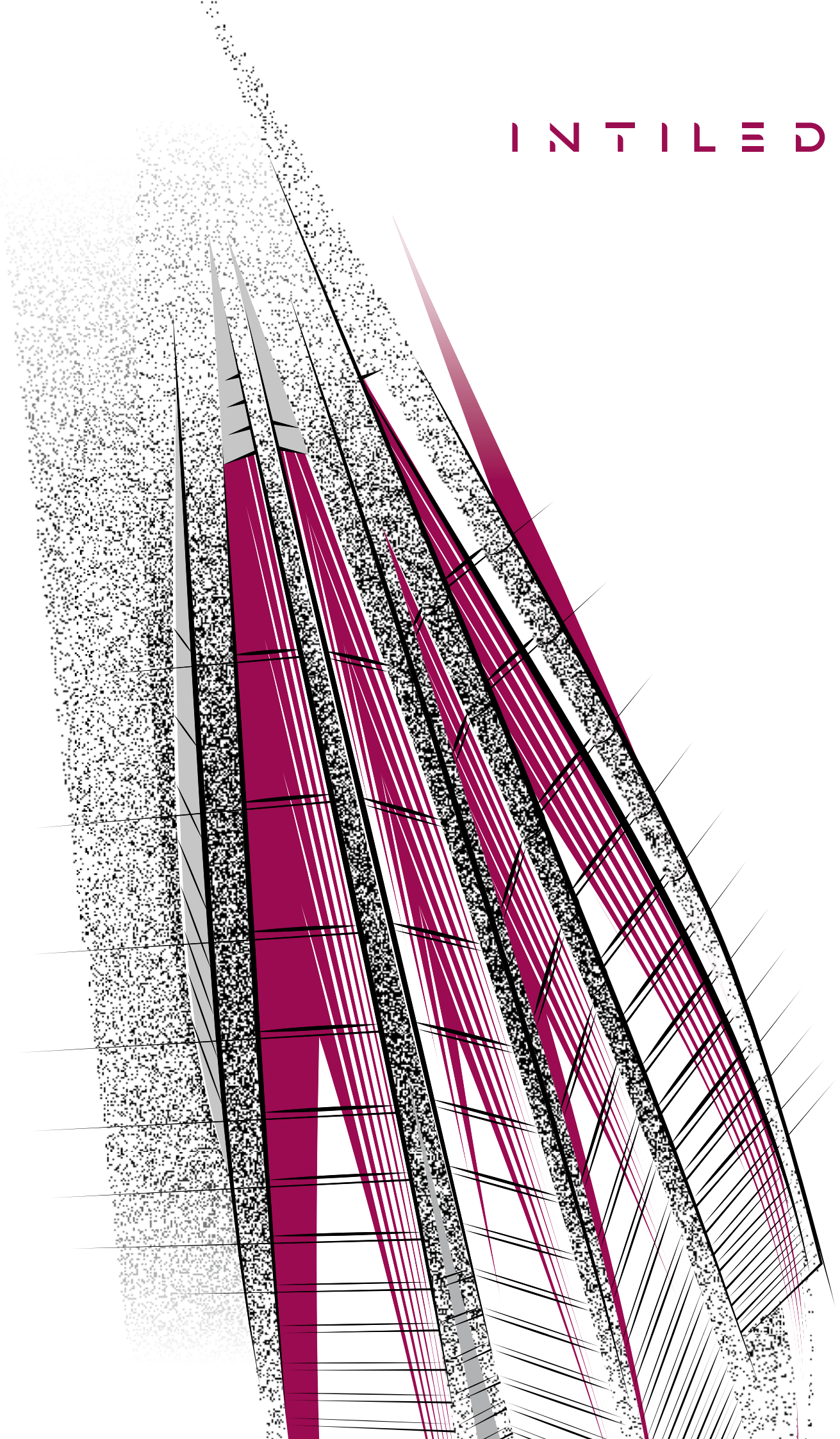


# INTILED



All the info presented in this catalogue is for reference only,  
and may be changed by the manufacturer without notification

# CONTENTS

## HOW TO CHOOSE A PRODUCT?

5

### LINE

6

### KUB

16

### EDGE-MINI

22

### INTILINE

26

### INTISLIM

32

### INTITUBE

39

### LACE

46

### INTISTARK BIG-BLOCK

49

### INTISTARK

55

### RAY

64

### INTIBEAM

70

### EDGE

73

### INTITWIN

77

### INTITOP

81

### INTISPOT

85

### INTIPOINT

91

### INTIDOT

95

### INTIGROUND

100

### INTIGROUND-MIDI

106

# HOW TO CHOOSE A PRODUCT?

## INTILED PRODUCT CLASSIFIER

HOUSING	<b>I</b>	I – IntiLED
	<b>L</b>	L – linear T – tube R – radial M – matrix
MOUNTING	<b>F</b>	F – front (on a surface) G – in-ground B – built-in
LEDS	<b>21</b>	X – numbers of leds
POWERS OF LED	<b>1</b>	0,3 – 0,3 W 0,5 – 0,5 W 1 – 1 W 2 – 2 W 3 – 3 W
EMISSION COLOR	<b>W30</b>	W(X) – white with X00 color temperature A – amber R – red G – green B – blue RGB – combination of color LEDs red, green, blue RGBW(X) – combination of color LEDs red, green, blue, white where W(X) – white with X00 color temperature FC – full color RGB LED W(X)W(Y) – white with adjusted color temperature from X00 to Y00
BEAM	<b>30</b>	X – beam angle
CONTROL	<b>C</b>	C – with control (DMX-512) D – dimming (PWM) R – DMX-512 + RDM
VOLTAGE	<b>H</b>	H – 230 V AC L12 – 12 V DC L24 – 24 V DC L48 – 48 V DC
LENGHT*	<b>100</b>	100 – 100 cm *just for linear luminaires

## LACE CLASSIFIER

	<b>LACE</b>	LACE – product series
BENDING	<b>V</b>	V – vertical H – horizontal
TYPE EXECUTION	<b>DV</b>	S – directional light with high output L – directional light with low output DV – direct view
EMISSION COLOR	<b>W40</b>	W(X) – white with X00 color temperature R – red G – green B – blue RGB – combination of color LEDs red, green, blue FC – full color RGB LED
CABLE COLOR	<b>B</b>	B – black for IP68 G – gray for IP68-salt (for sea and chlorinated water)
CABLE EXIT	<b>E</b>	S – side E – end B – back
POWER CABLE	<b>2</b>	1 – on one side 2 – on two sides
LENGHT	<b>100</b>	100 – 100 cm

## EXPLANATION OF PRODUCT ICONS

	– new
	– device is certified under CE
	– device is certified under EAC
IP65	– IP: 65 to 68
	– electric shock protection class
	– electric shock protection class
	– device is available in a monochrome version
	– device is available in a RGB version
	– device is available in a RGBW version
	– device is available in a full color version
	– discontinued

# LINE

The linear LED luminaire LINE is designed to solve all the basic tasks of architectural lighting: creating floodlighting, accent, and even contour lighting effects

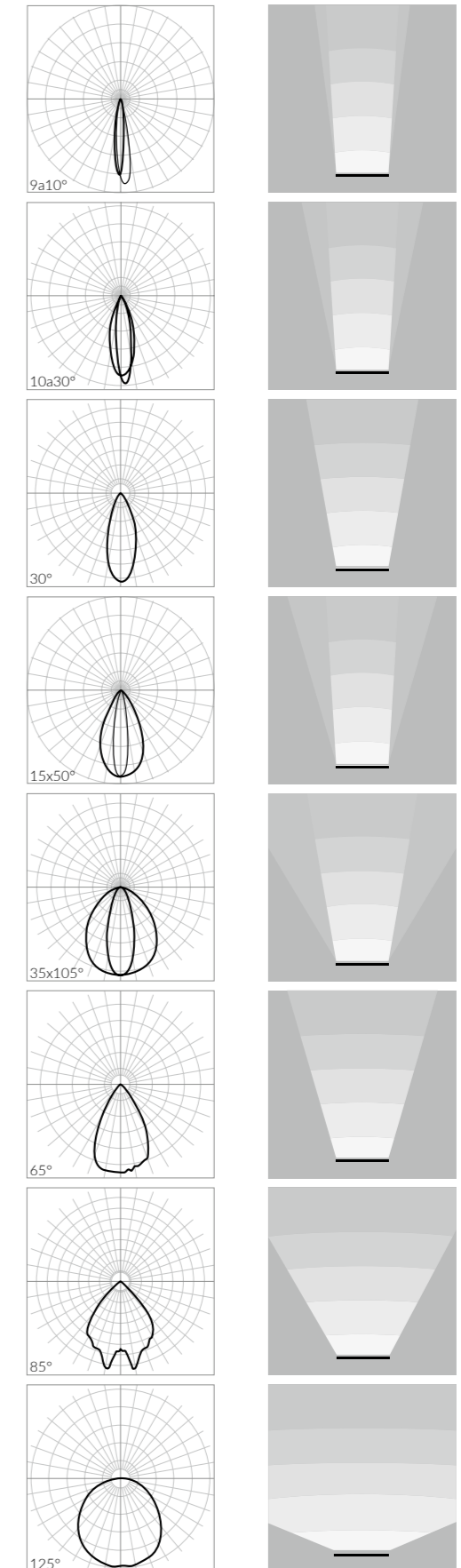


# LINE

## TECHNICAL CHARACTERISTICS

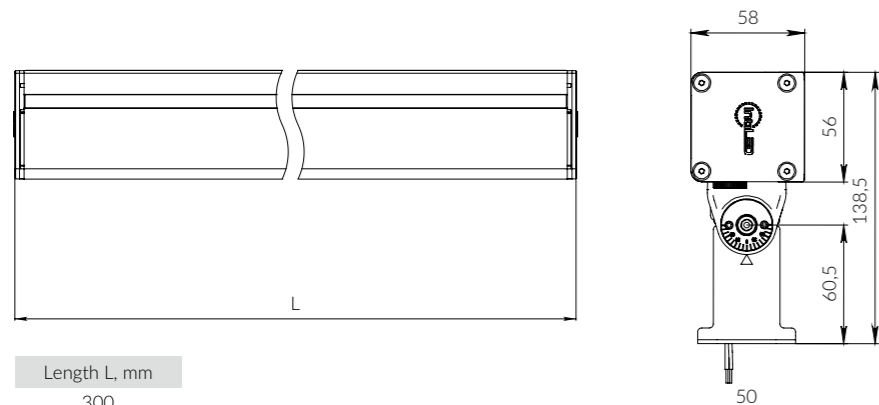
- Light source:** Nichia (Japan), Cree (USA) LEDs
- Light color:** white (3000K, 4000K, 5000K), red, green, blue, amber
- Optics:** 9a10°, 10a30°, 30°, 15x50°, 35x105°, 65°, 85°, 125°
- Luminous flux:** 285–4700 lm
- CRI:** ≥80
- Power factor Cos φ:** >0,9
- Wattage:** 10–61 W
- Voltage:** 99–280 V AC
- Protection class:** IP66
- Operation temperature:** tropical edition: -40°C ... +55°C  
standard edition: -40°C ... +45°C
- Lifespan:** not less than 50 000 hours
- Control:** not available
- Lengths:** 300, 600, 900, 1200, 1500 mm
- Front dimensions:** 56x58 mm
- Weight:** 1,3–4,3 kg
- Materials:** housing: aluminum alloy covered with powder paint; mounting brackets: cast aluminum alloy covered with powder paint to fit the housing color; mounts: stainless steel; silicate tempered glass
- Mounting:** on an adjustable brackets, the brackets can slide along the body of the luminaire for adjustable installation
- Accessories:** shield, brackets
- Customization:** housing and accessories painted in any RAL color; control/power cables of any length up to 3 m; brackets of customized length
- Contents of delivery:** luminaire, passport, package

## LIGHTING EFFECTS



# LINE

## DIMENSIONAL DRAWING



Length L, mm

300

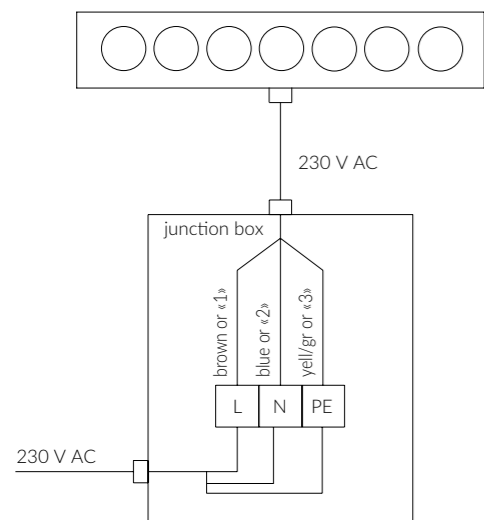
600

900

1200

1500

## LINE LUMINAIRE CONNECTIONS DIAGRAM



# LINE

## COMPATIBLE DEVICES & ACCESSORIES

LED IPCe controller

Sens SR-2812-IN Black

USB-ILCS converter

ILCS-DMX converter

DMX(B1T2) splitter

ILCS(U4) splitter

## MODEL RANGES

WATTAGE, W	LUMINOUS FLUX, LM	OPTICS, DEGREE	COLOUR	CODE
<b>300x56x58 MM, 1,1 KG</b>				
10	300	30	Red	ILF6-1,5R-30H-30(101)
10	285	65	Red	ILF6-1,5R-65H-30(301)
10	260	85	Red	ILF6-1,5R-85H-30(301)
10	170	125	Red	ILF6-1,5R-125H-30(301)
10	290	9a10	Red	ILF6-1,5R-9a10H-30(001)
10	285	10a30	Red	ILF6-1,5R-10a30H-30(001)
10	255	15x50	Red	ILF6-1,5R-15x50H-30(101)
10	195	35x105	Red	ILF6-1,5R-35x105H-30(301)
13	245	30	Blue	ILF6-1,5B-30H-30(101)
13	235	65	Blue	ILF6-1,5B-65H-30(301)
13	215	85	Blue	ILF6-1,5B-85H-30(301)
13	140	125	Blue	ILF6-1,5B-125H-30(301)
13	240	9a10	Blue	ILF6-1,5B-9a10H-30(001)
13	235	10a30	Blue	ILF6-1,5B-10a30H-30(001)
13	210	15x50	Blue	ILF6-1,5B-15x50H-30(101)
13	165	35x105	Blue	ILF6-1,5B-35x105H-30(301)
13	530	30	Amber	ILF6-1,5A-30H-30(101)
13	500	65	Amber	ILF6-1,5A-65H-30(301)
13	460	85	Amber	ILF6-1,5A-85H-30(301)
13	300	125	Amber	ILF6-1,5A-125H-30(301)
13	510	9a10	Amber	ILF6-1,5A-9a10H-30(001)
13	500	10a30	Amber	ILF6-1,5A-10a30H-30(001)
13	455	15x50	Amber	ILF6-1,5A-15x50H-30(101)
13	350	35x105	Amber	ILF6-1,5A-35x105H-30(301)
13,5	540	30	Green	ILF6-1,5G-30H-30(101)
13,5	520	65	Green	ILF6-1,5G-65H-30(301)
13,5	475	85	Green	ILF6-1,5G-85H-30(301)
13,5	310	125	Green	ILF6-1,5G-125H-30(301)
13,5	530	9a10	Green	ILF6-1,5G-9a10H-30(001)
13,5	520	10a30	Green	ILF6-1,5G-10a30H-30(001)
13,5	470	15x50	Green	ILF6-1,5G-15x50H-30(101)
13,5	360	35x105	Green	ILF6-1,5G-35x105H-30(301)
12,5	920	30	3000 K	ILF6-1,5W30-30H-30(101)

# LINE

WATTAGE, W	LUMINOUS FLUX, LM	OPTICS, DEGREE	COLOUR	CODE
<b>300x56x58 MM, 1,1 KG</b>				
12,5	880	65	3000 K	ILF6-1,5W30-65H-30(301)
12,5	800	85	3000 K	ILF6-1,5W30-85H-30(301)
12,5	530	125	3000 K	ILF6-1,5W30-125H-30(301)
12,5	900	9a10	3000 K	ILF6-1,5W30-9a10H-30(001)
12,5	890	10a30	3000 K	ILF6-1,5W30-10a30H-30(001)
12,5	790	15x50	3000 K	ILF6-1,5W30-15x50H-30(101)
12,5	610	35x105	3000 K	ILF6-1,5W30-35x105H-30(301)
12,5	970	30	4000 K	ILF6-1,5W40-30H-30(101)
12,5	920	65	4000 K	ILF6-1,5W40-65H-30(301)
12,5	850	85	4000 K	ILF6-1,5W40-85H-30(301)
12,5	550	125	4000 K	ILF6-1,5W40-125H-30(301)
12,5	950	9a10	4000 K	ILF6-1,5W40-9a10H-30(001)
12,5	930	10a30	4000 K	ILF6-1,5W40-10a30H-30(001)
12,5	830	15x50	4000 K	ILF6-1,5W40-15x50H-30(101)
12,5	640	35x105	4000 K	ILF6-1,5W40-35x105H-30(301)
12,5	970	30	5000 K	ILF6-1,5W50-30H-30(101)
12,5	920	65	5000 K	ILF6-1,5W50-65H-30(301)
12,5	840	85	5000 K	ILF6-1,5W50-85H-30(301)
12,5	550	125	5000 K	ILF6-1,5W50-125H-30(301)
12,5	940	9a10	5000 K	ILF6-1,5W50-9a10H-30(001)
12,5	920	10a30	5000 K	ILF6-1,5W50-10a30H-30(001)
12,5	830	15x50	5000 K	ILF6-1,5W50-15x50H-30(101)
12,5	640	35x105	5000 K	ILF6-1,5W50-35x105H-30(301)
<b>600x56x58 MM, 1,8 KG</b>				
18	600	30	Red	ILF12-1,5R-30H-60(101)
18	570	65	Red	ILF12-1,5R-65H-60(301)
18	520	85	Red	ILF12-1,5R-85H-60(301)
18	340	125	Red	ILF12-1,5R-125H-60(301)
18	580	9a10	Red	ILF12-1,5R-9a10H-60(001)
18	580	10a30	Red	ILF12-1,5R-10a30H-60(001)
18	520	15x50	Red	ILF12-1,5R-15x50H-60(101)
18	400	35x105	Red	ILF12-1,5R-35x105H-60(301)
24	495	30	Blue	ILF12-1,5B-30H-60(101)
24	470	65	Blue	ILF12-1,5B-65H-60(301)
24	430	85	Blue	ILF12-1,5B-85H-60(301)
24	285	125	Blue	ILF12-1,5B-125H-60(301)
24	480	9a10	Blue	ILF12-1,5B-9a10H-60(001)
24	475	10a30	Blue	ILF12-1,5B-10a30H-60(001)
24	425	15x50	Blue	ILF12-1,5B-15x50H-60(101)
24	330	35x105	Blue	ILF12-1,5B-35x105H-60(301)
24	1050	30	Amber	ILF12-1,5A-30H-60(101)
24	1000	65	Amber	ILF12-1,5A-65H-60(301)

# LINE

WATTAGE, W	LUMINOUS FLUX, LM	OPTICS, DEGREE	COLOUR	CODE
24	920	85	Amber	ILF12-1,5A-85H-60(301)
24	600	125	Amber	ILF12-1,5A-125H-60(301)
24	1000	9a10	Amber	ILF12-1,5A-9a10H-60(001)
24	1000	10a30	Amber	ILF12-1,5A-10a30H-60(001)
24	910	15x50	Amber	ILF12-1,5A-15x50H-60(101)
24	700	35x105	Amber	ILF12-1,5A-35x105H-60(301)
24,5	1050	30	Green	ILF12-1,5G-30H-60(101)
24,5	1000	65	Green	ILF12-1,5G-65H-60(301)
24,5	950	85	Green	ILF12-1,5G-85H-60(301)
24,5	620	125	Green	ILF12-1,5G-125H-60(301)
24,5	1050	9a10	Green	ILF12-1,5G-9a10H-60(001)
24,5	1050	10a30	Green	ILF12-1,5G-10a30H-60(001)
24,5	940	15x50	Green	ILF12-1,5G-15x50H-60(101)
24,5	720	35x105	Green	ILF12-1,5G-35x105H-60(301)
22,5	1850	30	3000 K	ILF12-1,5W30-30H-60(101)
22,5	1750	65	3000 K	ILF12-1,5W30-65H-60(301)
22,5	1600	85	3000 K	ILF12-1,5W30-85H-60(301)
22,5	1050	125	3000 K	ILF12-1,5W30-125H-60(301)
22,5	1800	9a10	3000 K	ILF12-1,5W30-9a10H-60(001)
22,5	1750	10a30	3000 K	ILF12-1,5W30-10a30H-60(001)
22,5	1550	15x50	3000 K	ILF12-1,5W30-15x50H-60(101)
22,5	1200	35x105	3000 K	ILF12-1,5W30-35x105H-60(301)
22,5	1950	30	4000 K	ILF12-1,5W40-30H-60(101)
22,5	1850	65	4000 K	ILF12-1,5W40-65H-60(301)
22,5	1700	85	4000 K	ILF12-1,5W40-85H-60(301)
22,5	1100	125	4000 K	ILF12-1,5W40-125H-60(301)
22,5	1900	9a10	4000 K	ILF12-1,5W40-9a10H-60(001)
22,5	1850	10a30	4000 K	ILF12-1,5W40-10a30H-60(001)
22,5	1650	15x50	4000 K	ILF12-1,5W40-15x50H-60(101)
22,5	1250	35x105	4000 K	ILF12-1,5W40-35x105H-60(301)
22,5	1900	30	5000 K	ILF12-1,5W50-30H-60(101)
22,5	1800	65	5000 K	ILF12-1,5W50-65H-60(301)
22,5	1650	85	5000 K	ILF12-1,5W50-85H-60(301)
22,5	1100	125	5000 K	ILF12-1,5W50-125H-60(301)
22,5	1850	9a10	5000 K	ILF12-1,5W50-9a10H-60(001)
22,5	1850	10a30	5000 K	ILF12-1,5W50-10a30H-60(001)
22,5	1650	15x50	5000 K	ILF12-1,5W50-15x50H-60(101)
22,5	1250	35x105	5000 K	ILF12-1,5W50-35x105H-60(301)
<b>900x56x58 MM, 2,5 KG</b>				
26,5	900	30	Red	ILF18-1,5R-30H-90(101)
26,5	850	65	Red	ILF18-1,5R-65H-90(301)
26,5	780	85	Red	ILF18-1,5R-85H-90(301)

# LINE

WATTAGE, W	LUMINOUS FLUX, LM	OPTICS, DEGREE	COLOUR	CODE
<b>900x56x58 MM, 2,5 KG</b>				
26,5	510	125	Red	ILF18-1,5R-125H-90(301)
26,5	870	9a10	Red	ILF18-1,5R-9a10H-90(001)
26,5	860	10a30	Red	ILF18-1,5R-10a30H-90(001)
26,5	770	15x50	Red	ILF18-1,5R-15x50H-90(101)
26,5	590	35x105	Red	ILF18-1,5R-35x105H-90(301)
35,5	740	30	Blue	ILF18-1,5B-30H-90(101)
35,5	710	65	Blue	ILF18-1,5B-65H-90(301)
35,5	650	85	Blue	ILF18-1,5B-85H-90(301)
35,5	425	125	Blue	ILF18-1,5B-125H-90(301)
35,5	720	9a10	Blue	ILF18-1,5B-9a10H-90(001)
35,5	710	10a30	Blue	ILF18-1,5B-10a30H-90(001)
35,5	640	15x50	Blue	ILF18-1,5B-15x50H-90(101)
35,5	495	35x105	Blue	ILF18-1,5B-35x105H-90(301)
35,5	1550	30	Amber	ILF18-1,5A-30H-90(101)
35,5	1500	65	Amber	ILF18-1,5A-65H-90(301)
35,5	1350	85	Amber	ILF18-1,5A-85H-90(301)
35,5	910	125	Amber	ILF18-1,5A-125H-90(301)
35,5	1500	9a10	Amber	ILF18-1,5A-9a10H-90(001)
35,5	1500	10a30	Amber	ILF18-1,5A-10a30H-90(001)
35,5	1350	15x50	Amber	ILF18-1,5A-15x50H-90(101)
35,5	1050	35x105	Amber	ILF18-1,5A-35x105H-90(301)
36,5	1600	30	Green	ILF18-1,5G-30H-90(101)
36,5	1550	65	Green	ILF18-1,5G-65H-90(301)
36,5	1400	85	Green	ILF18-1,5G-85H-90(301)
36,5	940	125	Green	ILF18-1,5G-125H-90(301)
36,5	1600	9a10	Green	ILF18-1,5G-9a10H-90(001)
36,5	1550	10a30	Green	ILF18-1,5G-10a30H-90(001)
36,5	1400	15x50	Green	ILF18-1,5G-15x50H-90(101)
36,5	1050	35x105	Green	ILF18-1,5G-35x105H-90(301)
33,5	2750	30	3000 K	ILF18-1,5W30-30H-90(101)
33,5	2600	65	3000 K	ILF18-1,5W30-65H-90(301)
33,5	2400	85	3000 K	ILF18-1,5W30-85H-90(301)
33,5	1550	125	3000 K	ILF18-1,5W30-125H-90(301)
33,5	2700	9a10	3000 K	ILF18-1,5W30-9a10H-90(001)
33,5	2650	10a30	3000 K	ILF18-1,5W30-10a30H-90(001)
33,5	2350	15x50	3000 K	ILF18-1,5W30-15x50H-90(101)
33,5	1800	35x105	3000 K	ILF18-1,5W30-35x105H-90(301)
33,5	2900	30	4000 K	ILF18-1,5W40-30H-90(101)
33,5	2750	65	4000 K	ILF18-1,5W40-65H-90(301)
33,5	2550	85	4000 K	ILF18-1,5W40-85H-90(301)
33,5	1650	125	4000 K	ILF18-1,5W40-125H-90(301)
33,5	2850	9a10	4000 K	ILF18-1,5W40-9a10H-90(001)

# LINE

WATTAGE, W	LUMINOUS FLUX, LM	OPTICS, DEGREE	COLOUR	CODE
33,5	2800	10a30	4000 K	ILF18-1,5W40-10a30H-90(001)
33,5	2500	15x50	4000 K	ILF18-1,5W40-15x50H-90(101)
33,5	1900	35x105	4000 K	ILF18-1,5W40-35x105H-90(301)
33,5	2900	30	5000 K	ILF18-1,5W50-30H-90(101)
33,5	2750	65	5000 K	ILF18-1,5W50-65H-90(301)
33,5	2500	85	5000 K	ILF18-1,5W50-85H-90(301)
33,5	1650	125	5000 K	ILF18-1,5W50-125H-90(301)
33,5	2800	9a10	5000 K	ILF18-1,5W50-9a10H-90(001)
33,5	2750	10a30	5000 K	ILF18-1,5W50-10a30H-90(001)
33,5	2450	15x50	5000 K	ILF18-1,5W50-15x50H-90(101)
33,5	1900	35x105	5000 K	ILF18-1,5W50-35x105H-90(301)
<b>1200x56x58 MM, 3,2 KG</b>				
35	1200	30	Red	ILF24-1,5R-30H-120(101)
35	1100	65	Red	ILF24-1,5R-65H-120(301)
35	1000	85	Red	ILF24-1,5R-85H-120(301)
35	680	125	Red	ILF24-1,5R-125H-120(301)
35	1150	9a10	Red	ILF24-1,5R-9a10H-120(001)
35	1150	10a30	Red	ILF24-1,5R-10a30H-120(001)
35	1000	15x50	Red	ILF24-1,5R-15x50H-120(101)
35	790	35x105	Red	ILF24-1,5R-35x105H-120(301)
47	990	30	Blue	ILF24-1,5B-30H-120(101)
47	940	65	Blue	ILF24-1,5B-65H-120(301)
47	860	85	Blue	ILF24-1,5B-85H-120(301)
47	570	125	Blue	ILF24-1,5B-125H-120(301)
47	960	9a10	Blue	ILF24-1,5B-9a10H-120(001)
47	950	10a30	Blue	ILF24-1,5B-10a30H-120(001)
47	850	15x50	Blue	ILF24-1,5B-15x50H-120(101)
47	660	35x105	Blue	ILF24-1,5B-35x105H-120(301)
46,5	2100	30	Amber	ILF24-1,5A-30H-120(101)
46,5	2000	65	Amber	ILF24-1,5A-65H-120(301)
46,5	1800	85	Amber	ILF24-1,5A-85H-120(301)
46,5	1200	125	Amber	ILF24-1,5A-125H-120(301)
46,5	2050	9a10	Amber	ILF24-1,5A-9a10H-120(001)
46,5	2000	10a30	Amber	ILF24-1,5A-10a30H-120(001)
46,5	1800	15x50	Amber	ILF24-1,5A-15x50H-120(101)
46,5	1400	35x105	Amber	ILF24-1,5A-35x105H-120(301)
48,5	2150	30	Green	ILF24-1,5G-30H-120(101)
48,5	2050	65	Green	ILF24-1,5G-65H-120(301)
48,5	1900	85	Green	ILF24-1,5G-85H-120(301)
48,5	1250	125	Green	ILF24-1,5G-125H-120(301)
48,5	2100	9a10	Green	ILF24-1,5G-9a10H-120(001)
48,5	2100	10a30	Green	ILF24-1,5G-10a30H-120(001)

# LINE

WATTAGE, W	LUMINOUS FLUX, LM	OPTICS, DEGREE	COLOUR	CODE
<b>1200x56x58 MM, 3,2 KG</b>				
48,5	1850	15x50	Green	ILF24-1,5G-15x50H-120(101)
48,5	1450	35x105	Green	ILF24-1,5G-35x105H-120(301)
44,5	3700	30	3000 K	ILF24-1,5W30-30H-120(101)
44,5	3500	65	3000 K	ILF24-1,5W30-65H-120(301)
44,5	3200	85	3000 K	ILF24-1,5W30-85H-120(301)
44,5	2100	125	3000 K	ILF24-1,5W30-125H-120(301)
44,5	3600	9a10	3000 K	ILF24-1,5W30-9a10H-120(001)
44,5	3550	10a30	3000 K	ILF24-1,5W30-10a30H-120(001)
44,5	3150	15x50	3000 K	ILF24-1,5W30-15x50H-120(101)
44,5	2450	35x105	3000 K	ILF24-1,5W30-35x105H-120(301)
44,5	3900	30	4000 K	ILF24-1,5W40-30H-120(101)
44,5	3700	65	4000 K	ILF24-1,5W40-65H-120(301)
44,5	3400	85	4000 K	ILF24-1,5W40-85H-120(301)
44,5	2200	125	4000 K	ILF24-1,5W40-125H-120(301)
44,5	3800	9a10	4000 K	ILF24-1,5W40-9a10H-120(001)
44,5	3750	10a30	4000 K	ILF24-1,5W40-10a30H-120(001)
44,5	3350	15x50	4000 K	ILF24-1,5W40-15x50H-120(101)
44,5	2550	35x105	4000 K	ILF24-1,5W40-35x105H-120(301)
44,5	3850	30	5000 K	ILF24-1,5W50-30H-120(101)
44,5	3650	65	5000 K	ILF24-1,5W50-65H-120(301)
44,5	3350	85	5000 K	ILF24-1,5W50-85H-120(301)
44,5	2200	125	5000 K	ILF24-1,5W50-125H-120(301)
44,5	3750	9a10	5000 K	ILF24-1,5W50-9a10H-120(001)
44,5	3700	10a30	5000 K	ILF24-1,5W50-10a30H-120(001)
44,5	3300	15x50	5000 K	ILF24-1,5W50-15x50H-120(101)
44,5	2550	35x105	5000 K	ILF24-1,5W50-35x105H-120(301)
<b>1500x56x58 MM, 4,1 KG</b>				
44,5	1500	30	Red	ILF30-1,5R-30H-150(101)
44,5	1400	65	Red	ILF30-1,5R-65H-150(301)
44,5	1300	85	Red	ILF30-1,5R-85H-150(301)
44,5	850	125	Red	ILF30-1,5R-125H-150(301)
44,5	1450	9a10	Red	ILF30-1,5R-9a10H-150(001)
44,5	1400	10a30	Red	ILF30-1,5R-10a30H-150(001)
44,5	1250	15x50	Red	ILF30-1,5R-15x50H-150(101)
44,5	990	35x105	Red	ILF30-1,5R-35x105H-150(301)
59	1200	30	Blue	ILF30-1,5B-30H-150(101)
59	1150	65	Blue	ILF30-1,5B-65H-150(301)
59	1050	85	Blue	ILF30-1,5B-85H-150(301)
59	710	125	Blue	ILF30-1,5B-125H-150(301)
59	1200	9a10	Blue	ILF30-1,5B-9a10H-150(001)
59	1150	10a30	Blue	ILF30-1,5B-10a30H-150(001)
59	1050	15x50	Blue	ILF30-1,5B-15x50H-150(101)

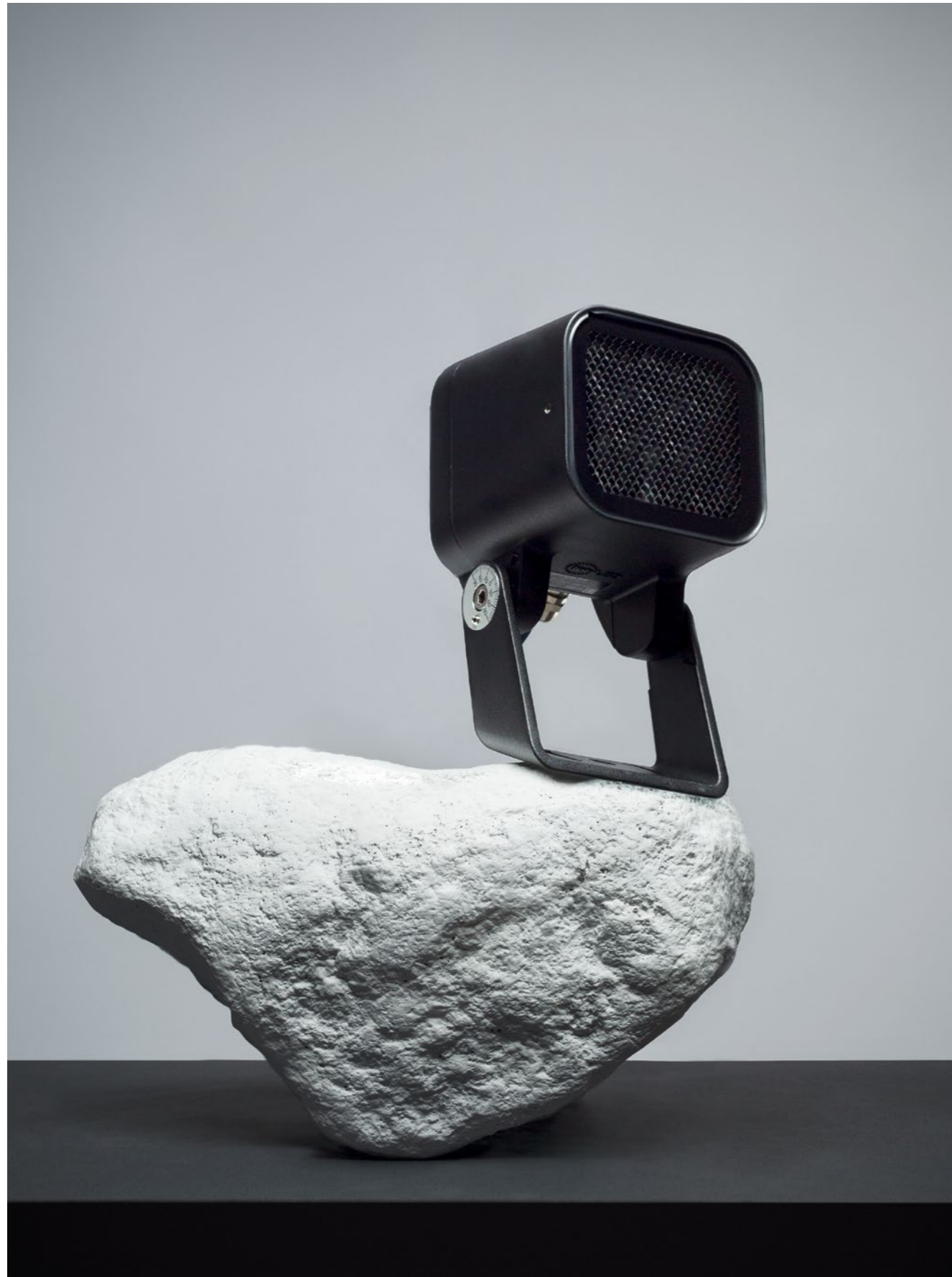
# LINE

WATTAGE, W	LUMINOUS FLUX, LM	OPTICS, DEGREE	COLOUR	CODE
59	820	35x105	Blue	ILF30-1,5B-35x105H-150(301)
59	2650	30	Amber	ILF30-1,5A-30H-150(101)
59	2500	65	Amber	ILF30-1,5A-65H-150(301)
59	2300	85	Amber	ILF30-1,5A-85H-150(301)
59	1500	125	Amber	ILF30-1,5A-125H-150(301)
59	2550	9a10	Amber	ILF30-1,5A-9a10H-150(001)
59	2500	10a30	Amber	ILF30-1,5A-10a30H-150(001)
59	2250	15x50	Amber	ILF30-1,5A-15x50H-150(101)
59	1750	35x105	Amber	ILF30-1,5A-35x105H-150(301)
61	2700	30	Green	ILF30-1,5G-30H-150(101)
61	2600	65	Green	ILF30-1,5G-65H-150(301)
61	2350	85	Green	ILF30-1,5G-85H-150(301)
61	1550	125	Green	ILF30-1,5G-125H-150(301)
61	2650	9a10	Green	ILF30-1,5G-9a10H-150(001)
61	2600	10a30	Green	ILF30-1,5G-10a30H-150(001)
61	2350	15x50	Green	ILF30-1,5G-15x50H-150(101)
61	1800	35x105	Green	ILF30-1,5G-35x105H-150(301)
56	4600	30	3000 K	ILF30-1,5W30-30H-150(101)
56	4400	65	3000 K	ILF30-1,5W30-65H-150(301)
56	4000	85	3000 K	ILF30-1,5W30-85H-150(301)
56	2650	125	3000 K	ILF30-1,5W30-125H-150(301)
56	4500	9a10	3000 K	ILF30-1,5W30-9a10H-150(001)
56	4450	10a30	3000 K	ILF30-1,5W30-10a30H-150(001)
56	3950	15x50	3000 K	ILF30-1,5W30-15x50H-150(101)
56	3050	35x105	3000 K	ILF30-1,5W30-35x105H-150(301)
56	4850	30	4000 K	ILF30-1,5W40-30H-150(101)
56	4600	65	4000 K	ILF30-1,5W40-65H-150(301)
56	4250	85	4000 K	ILF30-1,5W40-85H-150(301)
56	2750	125	4000 K	ILF30-1,5W40-125H-150(301)
56	4750	9a10	4000 K	ILF30-1,5W40-9a10H-150(001)
56	4650	10a30	4000 K	ILF30-1,5W40-10a30H-150(001)
56	4150	15x50	4000 K	ILF30-1,5W40-15x50H-150(101)
56	3200	35x105	4000 K	ILF30-1,5W40-35x105H-150(301)
56	4850	30	5000 K	ILF30-1,5W50-30H-150(101)
56	4600	65	5000 K	ILF30-1,5W50-65H-150(301)
56	4200	85	5000 K	ILF30-1,5W50-85H-150(301)
56	2750	125	5000 K	ILF30-1,5W50-125H-150(301)
56	4700	9a10	5000 K	ILF30-1,5W50-9a10H-150(001)
56	4600	10a30	5000 K	ILF30-1,5W50-10a30H-150(001)
56	4150	15x50	5000 K	ILF30-1,5W50-15x50H-150(101)
56	3200	35x105	5000 K	ILF30-1,5W50-35x105H-150(301)



# KUB

KUB low power luminaire is designed primarily for accent lighting of facade elements. Minimalistic design and wide functionality makes KUB a universal tool of a lighting designer

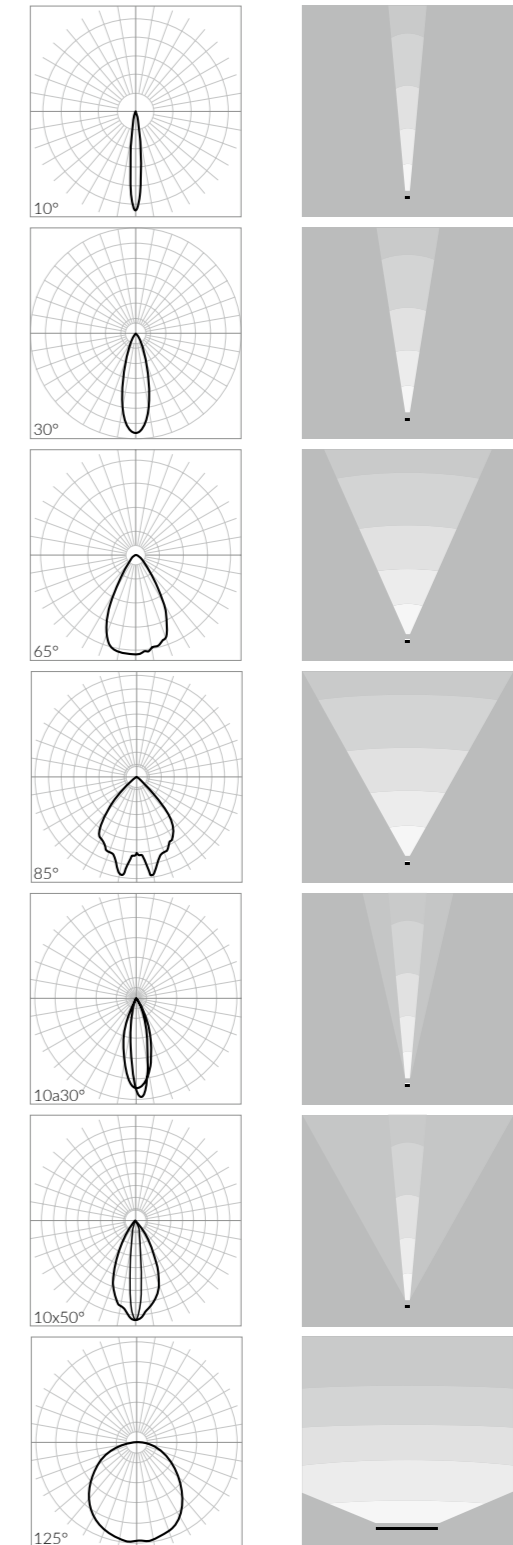


# KUB

## TECHNICAL CHARACTERISTICS

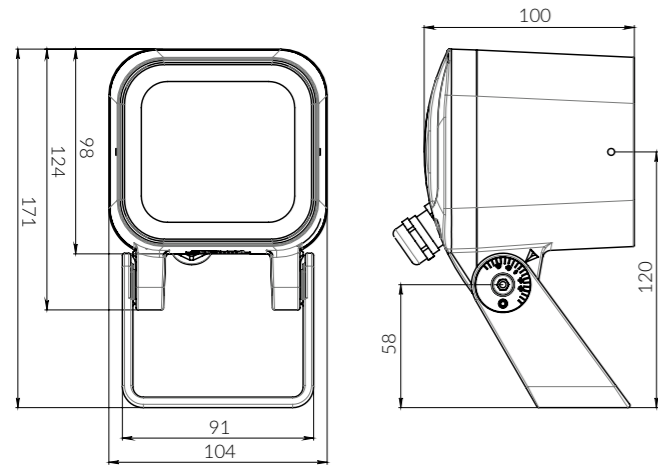
- Light source:**  
Nichia (Japan), Cree (USA) LEDs
- Light color:**  
white (3000 K, 4000 K, 5000 K), red, green, blue, amber, RGBW, RGBA
- Optics:**  
10°, 30°, 65°, 85°, 10a30°, 10x50°, 125°
- Luminous flux:**  
150–850 lm
- CRI:**  
≥80
- Power factor Cos φ:**  
>0,9
- Wattage:**  
7,5–13,5 W
- Voltage:**  
24 V DC, 90–305 V AC
- Protection class:**  
IP66
- Operating temperature:**  
tropical edition: -40°C ... +55°C  
standard edition: -40°C ... +45°C
- Lifespan:**  
not less than 50 000 hours
- Control:**  
mono: not available  
RGBW, RGBA: DMX-512, DMX-512 + RDM
- Dimensions:**  
100x104x171 mm (with bracket)
- Weight:**  
1,3; 1,4 kg
- Materials:**  
housing, bracket: aluminum alloy; mounts: stainless steel;  
silicate tempered glass
- Mounting:**  
on an adjustable bracket
- Accessories:**  
shield
- Customization:**  
diffuser glass; internal honeycomb louvre; customized LEDs  
color combinations; control/power cables of any length up to 3 m;  
housing and accessories painting in any RAL color; IP68 connectors
- Contents of delivery:**  
luminaire, bracket, passport, package

## LIGHTING EFFECTS

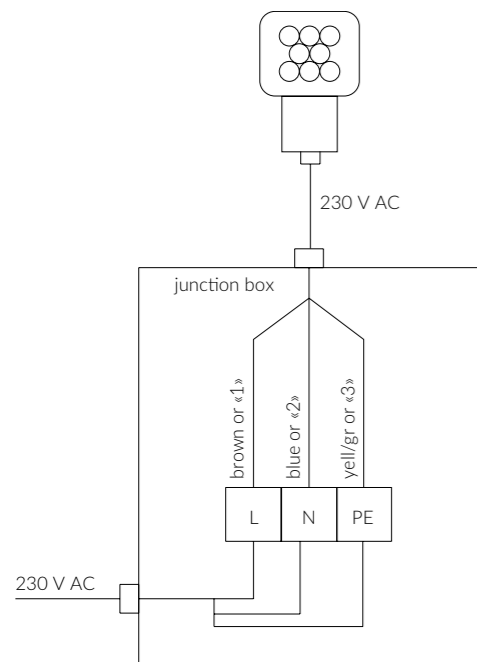


# KUB

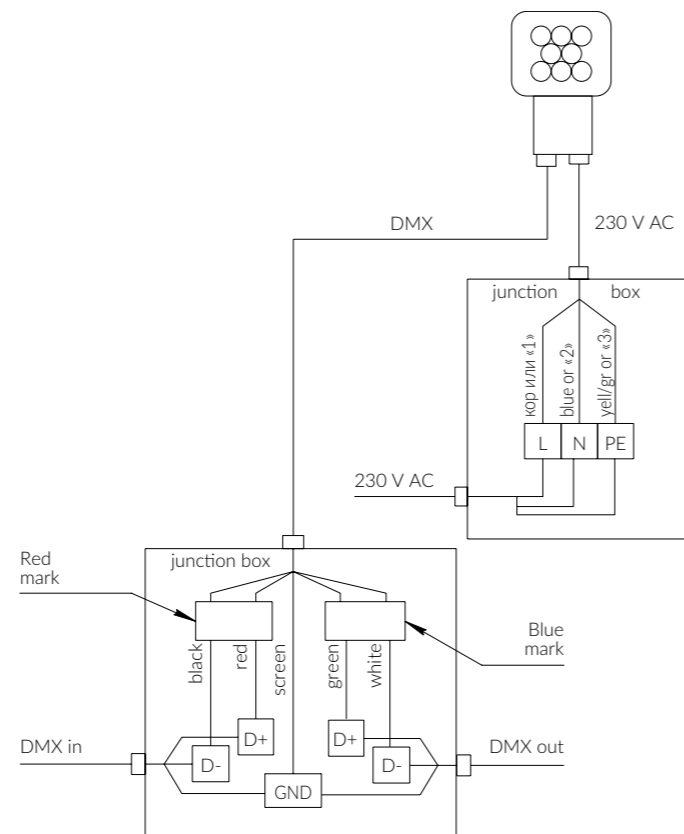
## DIMENSIONAL DRAWING



## KUB WHITE COLOR LUMINAIRE CONNECTIONS DIAGRAM



## KUB COLOR DYNAMIC LUMINAIRE CONNECTIONS DIAGRAM



# KUB

## COMPATIBLE DEVICES & ACCESSORIES

- LED IPCe controller
- Sens SR-2812-IN Black
- USB-ILCS converter
- ILCS-DMX converter
- DMX(B1T2) splitter
- ILCS(U4) splitter

## MODEL RANGES

WATTAGE, W	LUMINOUS FLUX, LM	OPTICS, DEGREE	COLOUR	CODE
<b>104x98x100 MM, 1,3 KG</b>				
9,8	465	125	3000 K	IMF8-1W30-125H(311)
9,8	520	30	3000 K	IMF8-1W30-30H(H111)
9,8	540	10	3000 K	IMF8-1W30-10H(H111)
9,8	710	85	3000 K	IMF8-1W30-85H(211)
9,8	710	10x50	3000 K	IMF8-1W30-10x50H(111)
9,8	770	65	3000 K	IMF8-1W30-65H(211)
9,8	780	10a30	3000 K	IMF8-1W30-10a30H(011)
9,8	790	10	3000 K	IMF8-1W30-10H(111)
9,8	810	30	3000 K	IMF8-1W30-30H(111)
9,8	490	125	4000 K	IMF8-1W40-125H(311)
9,8	540	30	4000 K	IMF8-1W40-30H(H111)
9,8	570	10	4000 K	IMF8-1W40-10H(H111)
9,8	750	85	4000 K	IMF8-1W40-85H(211)
9,8	750	10x50	4000 K	IMF8-1W40-10x50H(111)
9,8	810	65	4000 K	IMF8-1W40-65H(211)
9,8	820	10a30	4000 K	IMF8-1W40-10a30H(011)
9,8	830	10	4000 K	IMF8-1W40-10H(111)
9,8	860	30	4000 K	IMF8-1W40-30H(111)
9,8	485	125	5000 K	IMF8-1W50-125H(311)
9,8	540	30	5000 K	IMF8-1W50-30H(H111)
9,8	560	10	5000 K	IMF8-1W50-10H(H111)
9,8	740	85	5000 K	IMF8-1W50-85H(211)
9,8	740	10x50	5000 K	IMF8-1W50-10x50H(111)
9,8	810	65	5000 K	IMF8-1W50-65H(211)
9,8	820	10a30	5000 K	IMF8-1W50-10a30H(011)
9,8	830	10	5000 K	IMF8-1W50-10H(111)
9,8	850	30	5000 K	IMF8-1W50-30H(111)
7,5	150	125	Red	IMF8-1R-125H(311)
7,5	165	30	Red	IMF8-1R-30H(H111)
7,5	175	10	Red	IMF8-1R-10H(H111)

# KUB

WATTAGE, W	LUMINOUS FLUX, LM	OPTICS, DEGREE	COLOUR	CODE
<b>104x98x100 MM, 1,3 KG</b>				
7,5	230	85	Red	IMF8-1R-85H(211)
7,5	230	10x50	Red	IMF8-1R-10x50H(111)
7,5	250	65	Red	IMF8-1R-65H(211)
7,5	250	10a30	Red	IMF8-1R-10a30H(011)
7,5	255	10	Red	IMF8-1R-10H(111)
7,5	260	30	Red	IMF8-1R-30H(111)
10	280	125	Amber	IMF8-1A-125H(311)
10	310	30	Amber	IMF8-1A-30H(H111)
10	325	10	Amber	IMF8-1A-10H(H111)
10	425	85	Amber	IMF8-1A-85H(211)
10	425	10x50	Amber	IMF8-1A-10x50H(111)
10	465	65	Amber	IMF8-1A-65H(211)
10	470	10a30	Amber	IMF8-1A-10a30H(011)
10	475	10	Amber	IMF8-1A-10H(111)
10	490	30	Amber	IMF8-1A-30H(111)
10	130	125	Blue	IMF8-1B-125H(311)
10	145	30	Blue	IMF8-1B-30H(H111)
10	155	10	Blue	IMF8-1B-10H(H111)
10	200	85	Blue	IMF8-1B-85H(211)
10	200	10x50	Blue	IMF8-1B-10x50H(111)
10	220	65	Blue	IMF8-1B-65H(211)
10	220	10a30	Blue	IMF8-1B-10a30H(011)
10	225	10	Blue	IMF8-1B-10H(111)
10	230	30	Blue	IMF8-1B-30H(111)
10,5	315	125	Green	IMF8-1G-125H(311)
10,5	350	30	Green	IMF8-1G-30H(H111)
10,5	365	10	Green	IMF8-1G-10H(H111)
10,5	480	85	Green	IMF8-1G-85H(211)
10,5	480	10x50	Green	IMF8-1G-10x50H(111)
10,5	520	65	Green	IMF8-1G-65H(211)
10,5	530	10	Green	IMF8-1G-10H(111)
10,5	530	10a30	Green	IMF8-1G-10a30H(011)
10,5	550	30	Green	IMF8-1G-30H(111)
13	280	125	RGBW	IMF8-1(RGBW30)-125RH(311)
13	285	125	RGBW	IMF8-1(RGBW50)-125RH(311)
13	285	125	RGBW	IMF8-1(RGBW40)-125RH(311)
13	310	30	RGBW	IMF8-1(RGBW30)-30RH(H111)
13	320	30	RGBW	IMF8-1(RGBW50)-30RH(H111)
13	320	30	RGBW	IMF8-1(RGBW40)-30RH(H111)

# KUB

WATTAGE, W	LUMINOUS FLUX, LM	OPTICS, DEGREE	COLOUR	CODE
13	325	10	RGBW	IMF8-1(RGBW30)-10RH(H111)
13	330	10	RGBW	IMF8-1(RGBW40)-10RH(H111)
13	330	10	RGBW	IMF8-1(RGBW50)-10RH(H111)
13	425	85	RGBW	IMF8-1(RGBW30)-85RH(211)
13	425	10x50	RGBW	IMF8-1(RGBW30)-10x50RH(111)
13	435	85	RGBW	IMF8-1(RGBW40)-85RH(211)
13	435	10x50	RGBW	IMF8-1(RGBW40)-10x50RH(111)
13	435	85	RGBW	IMF8-1(RGBW50)-85RH(211)
13	435	10x50	RGBW	IMF8-1(RGBW50)-10x50RH(111)
13	465	65	RGBW	IMF8-1(RGBW30)-65RH(211)
13	470	10a30	RGBW	IMF8-1(RGBW30)-10a30RH(011)
13	475	10	RGBW	IMF8-1(RGBW30)-10RH(111)
13	475	65	RGBW	IMF8-1(RGBW40)-65RH(211)
13	475	65	RGBW	IMF8-1(RGBW50)-65RH(211)
13	480	10a30	RGBW	IMF8-1(RGBW40)-10a30RH(011)
13	480	10a30	RGBW	IMF8-1(RGBW50)-10a30RH(011)
13	490	30	RGBW	IMF8-1(RGBW30)-30RH(111)
13	490	10	RGBW	IMF8-1(RGBW40)-10RH(111)
13	490	10	RGBW	IMF8-1(RGBW50)-10RH(111)
13	500	30	RGBW	IMF8-1(RGBW40)-30RH(111)
13	500	30	RGBW	IMF8-1(RGBW50)-30RH(111)
13,5	240	125	RGBA	IMF8-1(RGBA)-125RH(311)
13,5	270	30	RGBA	IMF8-1(RGBA)-30RH(H111)
13,5	280	10	RGBA	IMF8-1(RGBA)-10RH(H111)
13,5	365	85	RGBA	IMF8-1(RGBA)-85RH(211)
13,5	365	10x50	RGBA	IMF8-1(RGBA)-10x50RH(111)
13,5	400	65	RGBA	IMF8-1(RGBA)-65RH(211)
13,5	405	10a30	RGBA	IMF8-1(RGBA)-10a30RH(011)
13,5	410	10	RGBA	IMF8-1(RGBA)-10RH(111)
13,5	425	30	RGBA	IMF8-1(RGBA)-30RH(111)

# EDGE-mini

Ultrasmall luminaire for monochrome lighting of window openings.  
One tiny lighting device that will provide even lighting of the entire width of the window opening with a beam of 8x180 degrees

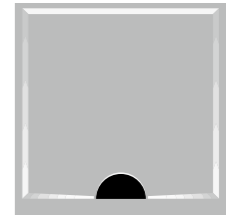
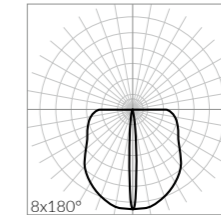


# EDGE-mini

## TECHNICAL CHARACTERISTICS

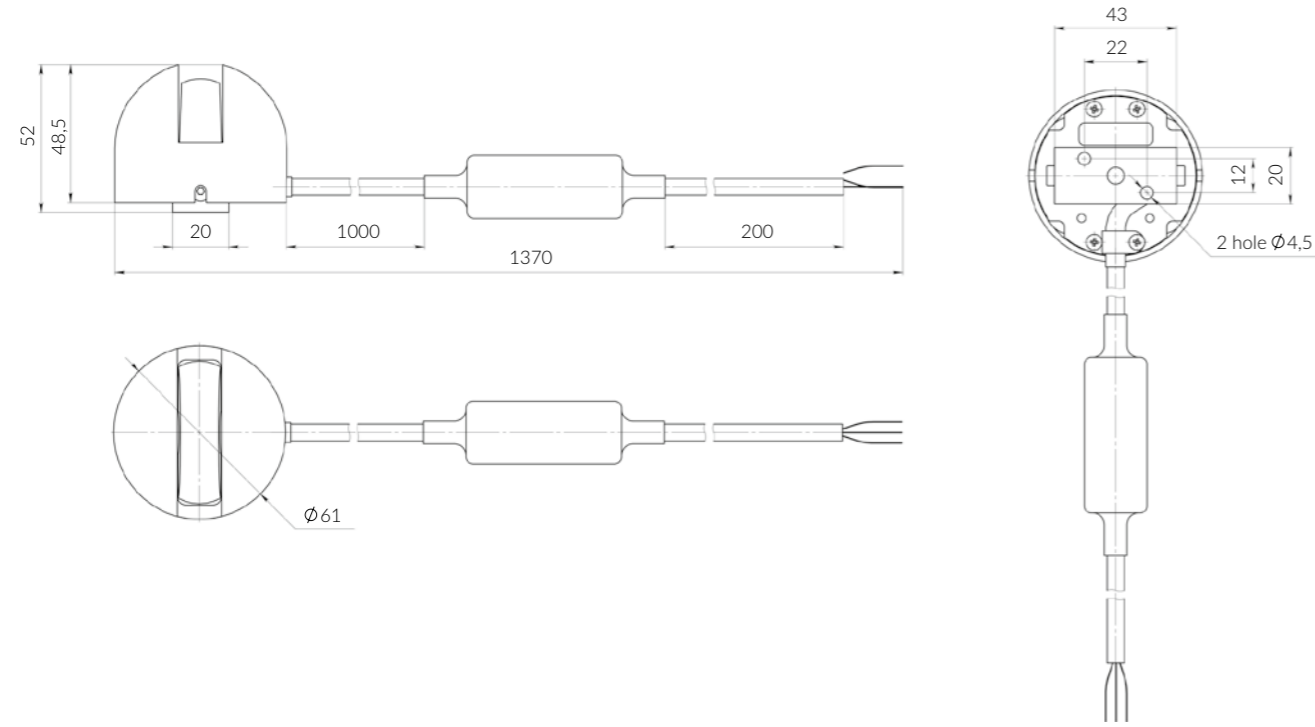
- Light source:**  
Nichia (Japan), Cree (USA) LEDs
- Light color:**  
white (3000 K, 4000 K, 5000 K), red, green, blue, amber
- Optics:**  
8x180°
- Luminous flux:**  
28-110 lm
- CRI:**  
≥80
- Wattage:**  
4,5 W
- Voltage:**  
12 V DC
- Protection class:**  
IP65
- Operating temperature:**  
tropical edition: -40°C ... +55°C  
standard edition: -40°C ... +45°C
- Lifespan:**  
not less than 50 000 hours
- Control:**  
PWM
- Dimensions:**  
62x62x51 mm
- Weight:**  
0,3 kg
- Materials:**  
housing: aluminum covered with powder paint;  
mounting plate: stainless steel
- Mounting:**  
surface mounting on mounting plate; mounting on adjustable bracket
- Customization:**  
housing and accessories painting in any RAL color, IP68 connectors;  
accessories
- Contents of delivery:**  
luminaire, passport, package

## LIGHTING EFFECTS



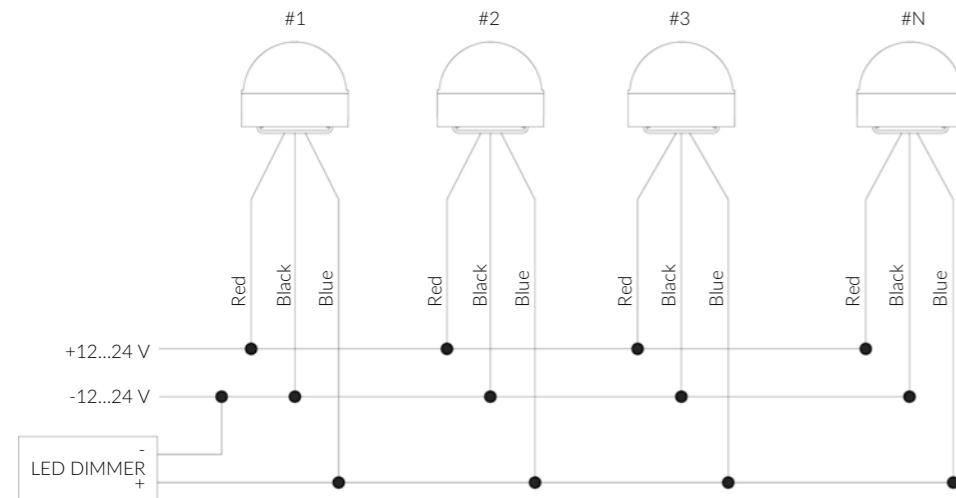
# EDGE-mini

## DIMENSIONAL DRAWING



## EDGE-MINI LUMINAIRE CONNECTIONS DIAGRAM

1. The use of a T-connector instead of a terminal box (TB) is possible.
2. Simultaneous dimming of all luminaires in one line.
3. The number of luminaires N connected depends on the power unit capacity in accordance with the table, the arrangement topology, cable cross-section size.



Maximum length of the depends on the number of connected luminaires and cable cross-section size.

Line aggregate length  $(L_0 + L_1 + \dots + L_N) < 500$  m.

Table: Number of connected EDGE-mini luminaires (N) in relation to power supply capacity (P).

P: Nmin-Nmax  
 50: 6-11  
 100:12-20  
 150:17-30  
 240:27-48

# EDGE-mini

## COMPATIBLE DEVICES & ACCESSORIES

LED IPCe controller  
 Sens SR-2812-IN Black  
 LED Dimmer  
 USB-ILCS converter

ILCS-DMX converter  
 DMX(B1T2) splitter  
 ILCS(U4) splitter  
 DMX-DIM converter

## MODEL RANGES

WATTAGE, W	LUMINOUS FLUX, LM	OPTICS, DEGREE	COLOUR	CODE
<b>62x62x51 MM, 0,3 KG</b>				
4	28	8x180	Blue	ILF2-1,5B-8x180DL12
4	34	8x180	Red	ILF2-1,5R-8x180DL12
4	60	8x180	Amber	ILF2-1,5A-8x180DL12
4	62	8x180	Green	ILF2-1,5G-8x180DL12
4	105	8x180	3000 K	ILF2-1,5W30-8x180DL12
4	110	8x180	4000 K	ILF2-1,5W40-8x180DL12
4	110	8x180	5000 K	ILF2-1,5W50-8x180DL12

# INTILINE

It is intended for flood or accent lighting. Universal product for use in architectural and art lighting. The case of the device is made from an aluminium alloy coated with enamel powder

ERC  IP65   DISCONTINUED

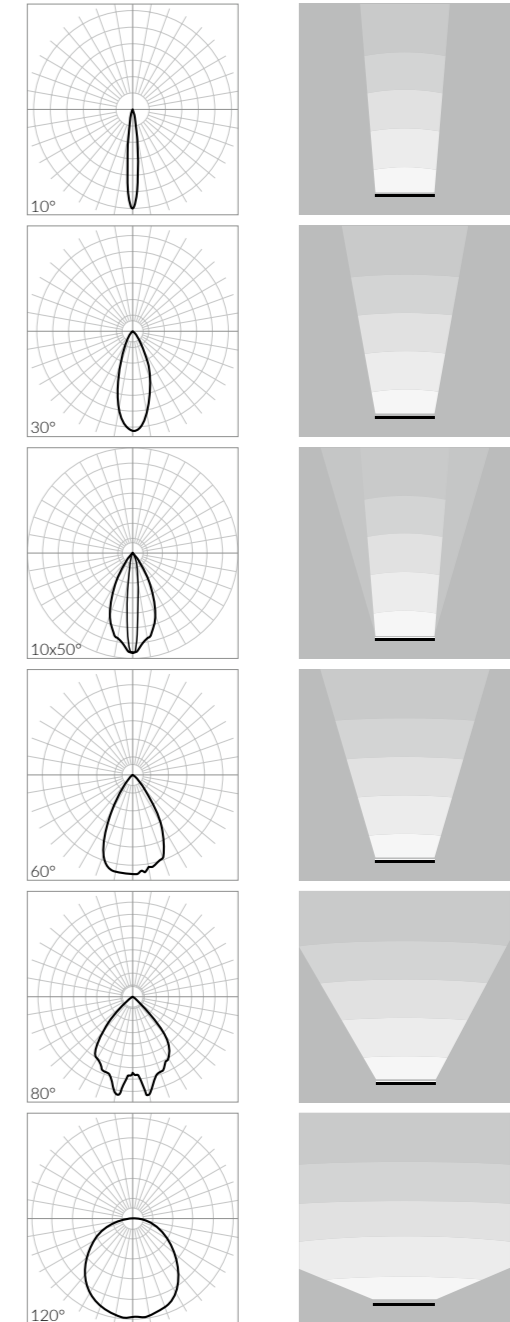


# INTILINE

## TECHNICAL CHARACTERISTICS

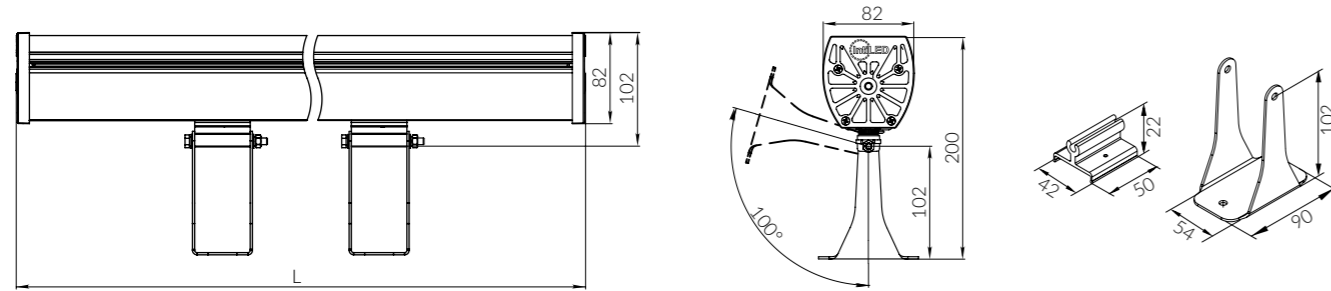
- Light source:**  
Nichia (Japan), Cree (USA) LEDs
- Light color:**  
RGB, RGBW
- Optics:**  
10°, 30°, 10x50°, 60°, 80°, 120°
- Luminous flux:**  
280-1500 lm
- Power factor Cos φ:**  
>0,9
- Wattage:**  
13,5-55 W
- Voltage:**  
90-264 V AC
- Protection class:**  
IP65
- Operating temperature:**  
tropical edition: -40°C ... +55°C  
standard edition: -40°C ... +45°C
- Lifespan:**  
not less than 50 000 hours
- Control:**  
DMX-512
- Lengths:**  
356, 672, 987, 1302 mm
- Front dimensions:**  
82x82 mm
- Weight:**  
2-4,6 kg
- Materials:**  
housing: extruded aluminum covered with powder paint; end caps: cast aluminum; protective glass: shock-resistant polycarbonate; mounting arms: zinc-plated steel covered with powder paint to fit the housing color; mounts: stainless steel
- Mounting:**  
on an adjustable brackets, the brackets can slide along the body of the luminaire for adjustable installation
- Customization:**  
customized LEDs color combinations; control/power cables of any length; housing and accessories painting in any RAL color; production of customized accessories; IP68 connectors; power and control in-line connection
- Contents of delivery:**  
luminaire, brackets, passport, package

## LIGHTING EFFECTS



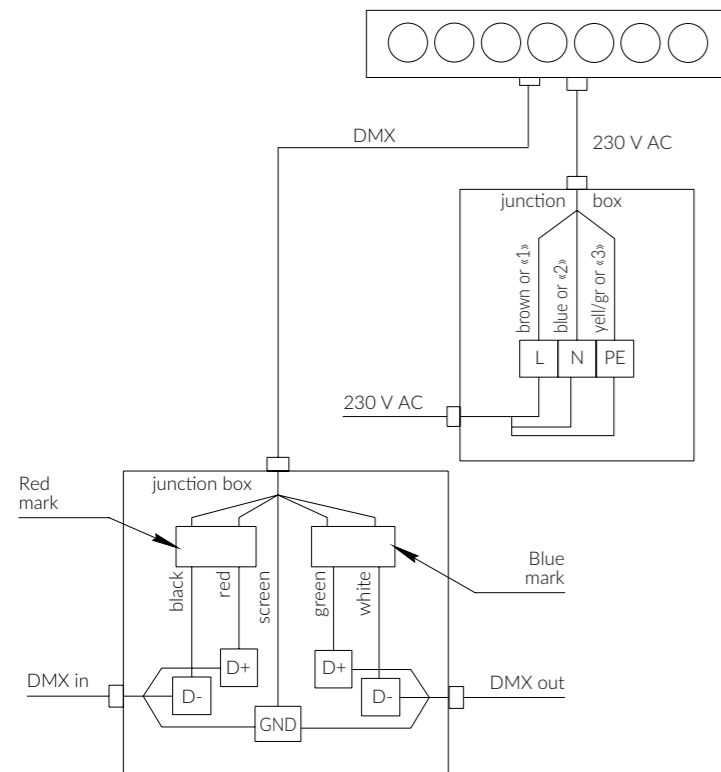
# INTILINE

## DIMENSIONAL DRAWING



Nominal length, cm	L, mm
30	356
60	672
100	987
130	1302

## INTILINE DYNAMIC COLOR LUMINAIRE CONNECTIONS DIAGRAM



# INTILINE

## COMPATIBLE DEVICES & ACCESSORIES

LED IPCe controller  
Sens SR-2812-IN Black  
USB-ILCS converter

ILCS-DMX converter  
DMX(B1T2) splitter  
ILCS(U4) splitter

## MODEL RANGES

WATTAGE, W	LUMINOUS FLUX, LM	OPTICS, DEGREE	COLOUR	CODE
<b>356x82x82 MM, 2 KG</b>				
13,5	280	60	RGB	ILF9-1RGB-60CH-30
13,5	300	120	RGB	ILF9-1RGB-120CH-30
13,5	335	10a30	RGB	ILF9-1RGB-10a30CH-30
13,5	355	10x50	RGB	ILF9-1RGB-10x50CH-30
13,5	375	30	RGB	ILF9-1RGB-30CH-30
13,5	375	80	RGB	ILF9-1RGB-80CH-30
13,5	380	10	RGB	ILF9-1RGB-10CH-30
13,5	335	10a30	RGBW	ILF12-1RGBW30-10a30CH-30
13,5	335	10a30	RGBW	ILF12-1RGBW40-10a30CH-30
13,5	335	10a30	RGBW	ILF12-1RGBW50-10a30CH-30
13,5	355	10x50	RGBW	ILF12-1RGBW30-10x50CH-30
13,5	355	120	RGBW	ILF12-1RGBW30-120CH-30
13,5	355	120	RGBW	ILF12-1RGBW40-120CH-30
13,5	355	10x50	RGBW	ILF12-1RGBW40-10x50CH-30
13,5	355	10x50	RGBW	ILF12-1RGBW50-10x50CH-30
13,5	355	120	RGBW	ILF12-1RGBW50-120CH-30
13,5	375	30	RGBW	ILF12-1RGBW30-30CH-30
13,5	375	60	RGBW	ILF12-1RGBW30-60CH-30
13,5	375	30	RGBW	ILF12-1RGBW40-30CH-30
13,5	375	60	RGBW	ILF12-1RGBW40-60CH-30
13,5	375	30	RGBW	ILF12-1RGBW50-30CH-30
13,5	375	60	RGBW	ILF12-1RGBW50-60CH-30
13,5	380	10	RGBW	ILF12-1RGBW30-10CH-30
13,5	380	80	RGBW	ILF12-1RGBW30-80CH-30
13,5	380	10	RGBW	ILF12-1RGBW40-10CH-30
13,5	380	80	RGBW	ILF12-1RGBW40-80CH-30
13,5	380	10	RGBW	ILF12-1RGBW50-10CH-30
13,5	380	80	RGBW	ILF12-1RGBW50-80CH-30
<b>672x82x82 MM, 2,8 KG</b>				
27,5	600	120	RGB	ILF18-1RGB-120CH-60
27,5	670	10a30	RGB	ILF18-1RGB-10a30CH-60
27,5	710	10x50	RGB	ILF18-1RGB-10x50CH-60

987x82x82 MM, 3,8 KG →

# INTILINE

WATTAGE, W	LUMINOUS FLUX, LM	OPTICS, DEGREE	COLOUR	CODE
<b>672x82x82 MM, 2,8 KG</b>				
27,5	750	30	RGB	ILF18-1RGB-30CH-60
27,5	750	80	RGB	ILF18-1RGB-80CH-60
27,5	760	10	RGB	ILF18-1RGB-10CH-60
27,5	760	60	RGB	ILF18-1RGB-60CH-60
27,5	600	120	RGBW	ILF24-1RGBW30-120CH-60
27,5	600	120	RGBW	ILF24-1RGBW40-120CH-60
27,5	600	120	RGBW	ILF24-1RGBW50-120CH-60
27,5	670	10a30	RGBW	ILF24-1RGBW30-10a30CH-60
27,5	670	10a30	RGBW	ILF24-1RGBW40-10a30CH-60
27,5	670	10a30	RGBW	ILF24-1RGBW50-10a30CH-60
27,5	710	10x50	RGBW	ILF24-1RGBW30-10x50CH-60
27,5	710	10x50	RGBW	ILF24-1RGBW40-10x50CH-60
27,5	710	10x50	RGBW	ILF24-1RGBW50-10x50CH-60
27,5	750	30	RGBW	ILF24-1RGBW30-30CH-60
27,5	750	80	RGBW	ILF24-1RGBW30-80CH-60
27,5	750	30	RGBW	ILF24-1RGBW40-30CH-60
27,5	750	80	RGBW	ILF24-1RGBW40-80CH-60
27,5	750	30	RGBW	ILF24-1RGBW50-30CH-60
27,5	750	80	RGBW	ILF24-1RGBW50-80CH-60
27,5	760	10	RGBW	ILF24-1RGBW30-10CH-60
27,5	760	60	RGBW	ILF24-1RGBW30-60CH-60
27,5	760	10	RGBW	ILF24-1RGBW40-10CH-60
27,5	760	60	RGBW	ILF24-1RGBW40-60CH-60
27,5	760	10	RGBW	ILF24-1RGBW50-10CH-60
27,5	760	60	RGBW	ILF24-1RGBW50-60CH-60
<b>987x82x82 MM, 3,8 KG</b>				
41	910	120	RGB	ILF27-1RGB-120CH-100
41	1050	10x50	RGB	ILF27-1RGB-10x50CH-100
41	1100	10	RGB	ILF27-1RGB-10CH-100
41	1100	30	RGB	ILF27-1RGB-30CH-100
41	1100	60	RGB	ILF27-1RGB-60CH-100
41	1100	80	RGB	ILF27-1RGB-80CH-100
41	910	120	RGBW	ILF36-1RGBW30-120CH-100
41	910	120	RGBW	ILF36-1RGBW40-120CH-100
41	910	120	RGBW	ILF36-1RGBW50-120CH-100
41	1000	10a30	RGBW	ILF36-1RGBW30-10a30CH-100
41	1000	10a30	RGBW	ILF36-1RGBW40-10a30CH-100
41	1000	10a30	RGBW	ILF36-1RGBW50-10a30CH-100
41	1050	10x50	RGBW	ILF36-1RGBW30-10x50CH-100
41	1050	10x50	RGBW	ILF36-1RGBW40-10x50CH-100
41	1050	10x50	RGBW	ILF36-1RGBW50-10x50CH-100

# INTILINE

WATTAGE, W	LUMINOUS FLUX, LM	OPTICS, DEGREE	COLOUR	CODE
41	1100	10	RGBW	ILF36-1RGBW30-10CH-100
41	1100	30	RGBW	ILF36-1RGBW30-30CH-100
41	1100	60	RGBW	ILF36-1RGBW30-60CH-100
41	1100	80	RGBW	ILF36-1RGBW30-80CH-100
41	1100	10	RGBW	ILF36-1RGBW40-10CH-100
41	1100	30	RGBW	ILF36-1RGBW40-30CH-100
41	1100	60	RGBW	ILF36-1RGBW40-60CH-100
41	1100	80	RGBW	ILF36-1RGBW40-80CH-100
41	1100	10	RGBW	ILF36-1RGBW50-10CH-100
41	1100	30	RGBW	ILF36-1RGBW50-30CH-100
41	1100	60	RGBW	ILF36-1RGBW50-60CH-100
41	1100	80	RGBW	ILF36-1RGBW50-80CH-100
<b>1302x82x82 MM, 4,6 KG</b>				
41	1000	10a30	RGB	ILF27-1RGB-10a30CH-100
55	1200	120	RGB	ILF36-1RGB-120CH-130
55	1300	10a30	RGB	ILF36-1RGB-10a30CH-130
55	1400	10x50	RGB	ILF36-1RGB-10x50CH-130
55	1500	10	RGB	ILF36-1RGB-10CH-130
55	1500	30	RGB	ILF36-1RGB-30CH-130
55	1500	60	RGB	ILF36-1RGB-60CH-130
55	1500	80	RGB	ILF36-1RGB-80CH-130
55	1200	120	RGBW	ILF48-1RGBW30-120CH-130
55	1200	120	RGBW	ILF48-1RGBW40-120CH-130
55	1200	30	RGBW	ILF48-1RGBW50-30CH-130
55	1300	10a30	RGBW	ILF48-1RGBW30-10a30CH-130
55	1300	10a30	RGBW	ILF48-1RGBW40-10a30CH-130
55	1300	10	RGBW	ILF48-1RGBW50-10CH-130
55	1400	10x50	RGBW	ILF48-1RGBW30-10x50CH-130
55	1400	10x50	RGBW	ILF48-1RGBW40-10x50CH-130
55	1400	120	RGBW	ILF48-1RGBW50-120CH-130
55	1500	10	RGBW	ILF48-1RGBW30-10CH-130
55	1500	30	RGBW	ILF48-1RGBW30-30CH-130
55	1500	60	RGBW	ILF48-1RGBW30-60CH-130
55	1500	80	RGBW	ILF48-1RGBW30-80CH-130
55	1500	10	RGBW	ILF48-1RGBW40-10CH-130
55	1500	30	RGBW	ILF48-1RGBW40-30CH-130
55	1500	60	RGBW	ILF48-1RGBW40-60CH-130
55	1500	80	RGBW	ILF48-1RGBW40-80CH-130
55	1500	10x50	RGBW	ILF48-1RGBW50-10x50CH-130
55	1500	60	RGBW	ILF48-1RGBW50-60CH-130
55	1500	80	RGBW	ILF48-1RGBW50-80CH-130
55	1500	10a30	RGBW	ILF48-1RGBW50-10a30CH-130



# INTISLIM

It is perfect for contour lighting, creating uninterrupted light lines and lighting cornices and niches. The compact dimensions make IntiSLIM almost unnoticeable on the facade and absolutely irreplaceable when the mounting space is limited

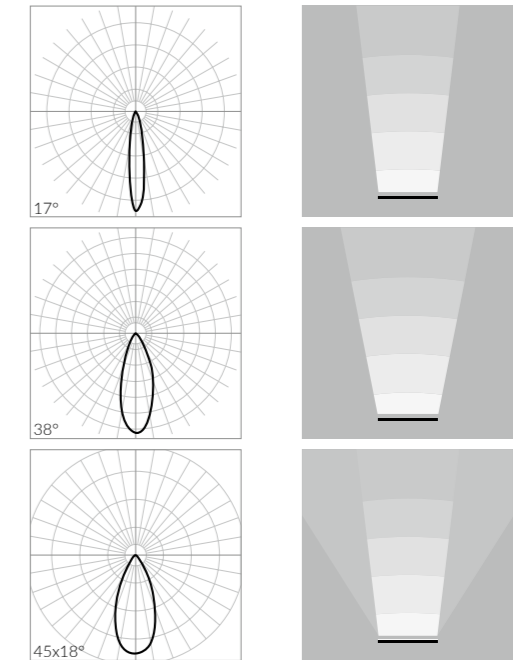


# INTISLIM

## TECHNICAL CHARACTERISTICS

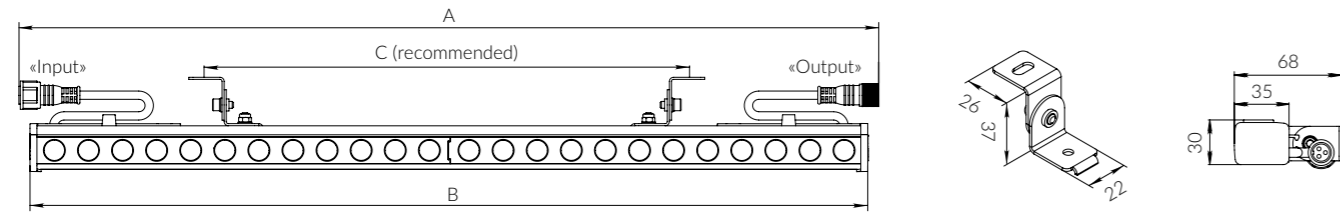
- Light source:**  
Nichia (Japan), Cree (USA) LEDs
- Light color:**  
white (3000 K, 4000 K, 5000 K), RGB
- Optics:**  
17°, 38°, 45x18°
- Luminous flux:**  
175–3550 lm
- CRI:**  
≥80
- wattage:**  
4,3–30,5 W
- Voltage:**  
mono: 48V DC  
RGB: 24V DC
- Protection class:**  
IP67
- Operating temperature:**  
tropical edition: -40°C ... +55°C  
standard edition: -40°C ... +45°C
- Lifespan:**  
not less than 50000 hours
- Control:**  
mono: PWM  
RGB: DMX-512 (additional control devices required)
- Lengths:**  
305, 604, 903, 1202, 1501 mm
- Front dimensions:**  
35x29 mm
- Weight:**  
0,4–1,7 kg
- Materials:**  
housing: extruded aluminum section with galvanic coating (anodic oxidation); end caps: polycarbonate; protective glass: n/a, PMMA secondary optics (polymethylmethacrylate – plexiglass); mounting arms: stainless steel; mounts: stainless steel
- Mounting:**  
on an adjustable brackets, the brackets can slide along the body of the luminaire for adjustable installation
- Accessories:**  
essential: power supply/module, cable set (if power supply is used), end-cap; optional: extension cable, shield
- Customization:**  
customized LEDs color combinations; control/power cables of any length up to 10 m; customized brackets; IP68 connectors; power and control in-line connection; group power supplies: 1 power supply for 12 meters of IntiSLIMs
- Contents of delivery:**  
luminaire, brackets, passport, package

## LIGHTING EFFECTS



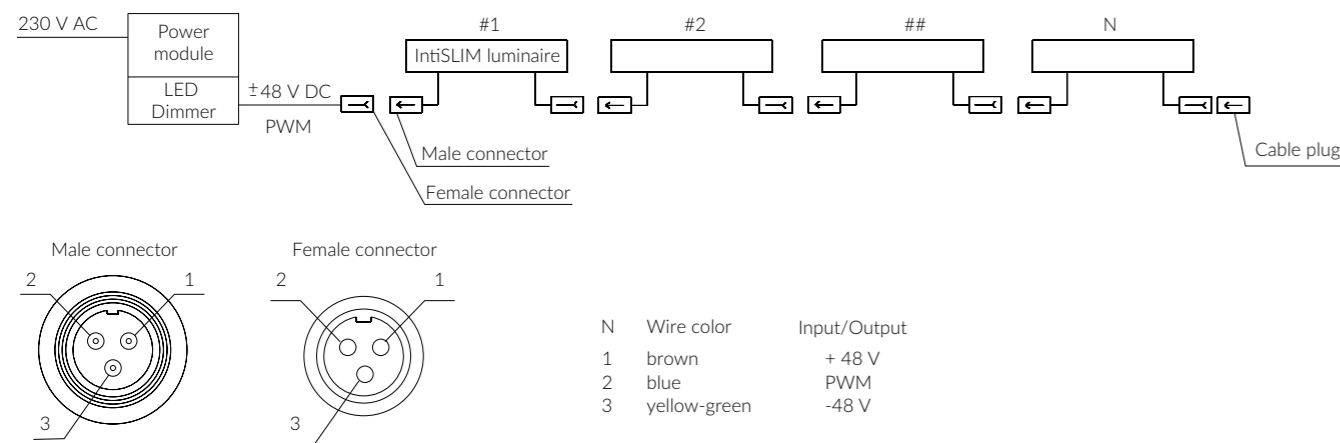
# INTISLIM

## DIMENSIONAL DRAWING

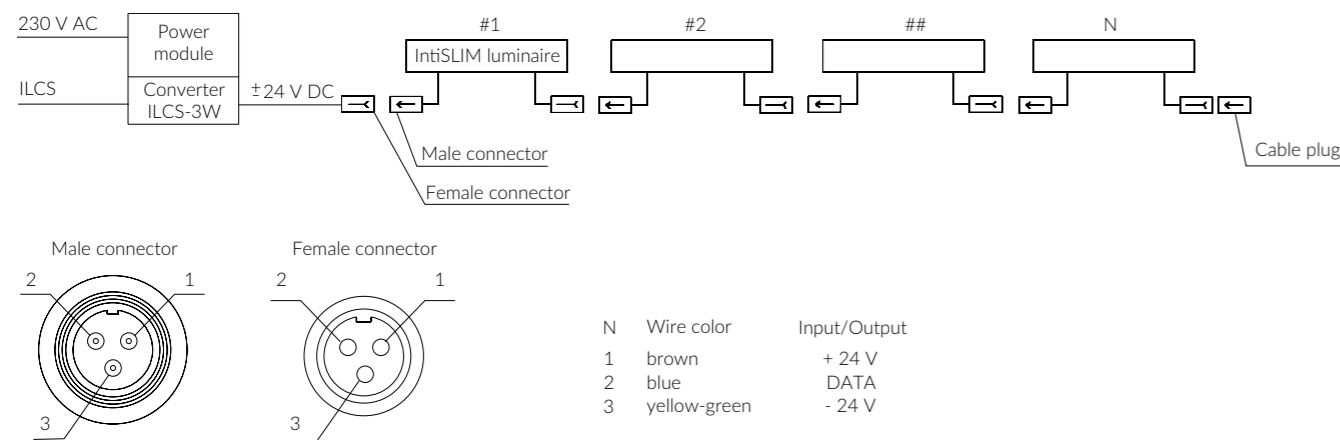


Nominal length, cm	A, mm	B, mm	C, mm
30	650	305	85
60	950	604	350
90	1250	903	600
120	1550	1202	900

## INTISLIM WHITE COLOR LUMINAIRE CONNECTIONS DIAGRAM



## INTISLIM COLOR DYNAMIC LUMINAIRE CONNECTIONS DIAGRAM



# INTISLIM

## COMPATIBLE DEVICES & ACCESSORIES

### Control devices

- LED IPCe controller
- Sens SR-2812-IN Black
- LED Dimmer control unit
- USB-ILCS converter
- ILCS-3W converter
- DMX-3W converter
- DMX-DIM (PWM) converter
- ILCS(U4) splitter
- DMX(B1T2) splitter
- DMX-DIM converter

### Power supply devices

- mono
- I-320-48 power module
- I-240-48 power module
- I-185-48 power module
- I-150-48 power module
- T-240-48 power module
- T-185-48 power module
- T-150-48 power module
- RGB
- T-240-24 power module
- T-185-24 power module
- T-150-24 power module

### Connection devices

- 0,3 m extension cable – KU-1.1.0-0,3
- 0,4 m extension cable – KU-1.1.0-0,4
- 0,5 m extension cable – KU-1.1.0-0,5
- 0,6 m extension cable – KU-1.1.0-0,6
- 0,7 m extension cable – KU-1.1.0-0,7
- 1 m extension cable – KU-1.1.0-1
- 1,5 m extension cable – KU-1.1.1-1,5
- 2 m extension cable – KU-1.1.1-2
- 3 m extension cable – KU-1.1.1-3
- 4 m extension cable – KU-1.1.1-4
- 5 m extension cable – KU-1.1.1-5
- 6 m extension cable – KU-1.1.1-6
- 7 m extension cable – KU-1.1.1-7
- 8 m extension cable – KU-1.1.1-8
- 9 m extension cable – KU-1.1.1-9
- 10 m extension cable – KU-1.1.1-10
- 11 m extension cable – KU-1.1.1-11
- 12 m extension cable – KU-1.1.1-12
- 13 m extension cable – KU-1.1.1-13
- 14 m extension cable – KU-1.1.1-14
- 15 m extension cable – KU-1.1.1-15
- 20 m extension cable – KU-1.1.1-20
- J3F end cap

# INTISLIM

## MODEL RANGES

WATTAGE, W	LUMINOUS FLUX, LM	OPTICS, DEGREE	COLOUR	CODE
<b>305x35x30 MM, 0,4 KG</b>				
4,3	175	45x18	Red	ILF12-0,5R-45x18DL48-30(41)
4,3	180	38	Red	ILF12-0,5R-38DL48-30(41)
4,3	185	17	Red	ILF12-0,5R-17DL48-30(41)
5,9	445	45x18	Green	ILF12-0,5G-45x18DL48-30(41)
5,9	465	38	Green	ILF12-0,5G-38DL48-30(41)
5,9	475	17	Green	ILF12-0,5G-17DL48-30(41)
6	175	45x18	Blue	ILF12-0,5B-45x18DL48-30(41)
6	180	38	Blue	ILF12-0,5B-38DL48-30(41)
6	185	17	Blue	ILF12-0,5B-17DL48-30(41)
6,2	350	45x18	Amber	ILF12-0,5A-45x18DL48-30(41)
6,2	365	38	Amber	ILF12-0,5A-38DL48-30(41)
6,2	375	17	Amber	ILF12-0,5A-17DL48-30(41)
5,8	265	45x18	RGB	ILF12-0,5RGB-45x18CL24-30
5,8	280	38	RGB	ILF12-0,5RGB-38CL24-30
5,8	285	17	RGB	ILF12-0,5RGB-17CL24-30
6,1	620	45x18	3000 K	ILF12-0,5W30-45x18DL48-30(41)
6,1	650	38	3000 K	ILF12-0,5W30-38DL48-30(41)
6,1	660	17	3000 K	ILF12-0,5W30-17DL48-30(41)
6,1	660	45x18	4000 K	ILF12-0,5W40-45x18DL48-30(41)
6,1	690	38	4000 K	ILF12-0,5W40-38DL48-30(41)
6,1	710	17	4000 K	ILF12-0,5W40-17DL48-30(41)
6,1	660	45x18	5000 K	ILF12-0,5W50-45x18DL48-30(41)
6,1	690	38	5000 K	ILF12-0,5W50-38DL48-30(41)
6,1	710	17	5000 K	ILF12-0,5W50-17DL48-30(41)
<b>604x35x30 MM, 0,7 KG</b>				
8,6	350	45x18	Red	ILF24-0,5R-45x18DL48-30(41)
8,6	365	38	Red	ILF24-0,5R-38DL48-30(41)
8,6	375	17	Red	ILF24-0,5R-17DL48-30(41)
11,5	890	45x18	Green	ILF24-0,5G-45x18DL48-30(41)
11,5	930	38	Green	ILF24-0,5G-17DL48-30(41)
11,5	950	17	Green	ILF24-0,5G-17DL48-30(41)
12	700	45x18	Amber	ILF24-0,5A-45x18DL48-30(41)
12	730	38	Amber	ILF24-0,5A-38DL48-30(41)
12	750	17	Amber	ILF24-0,5A-17DL48-30(41)
12	350	45x18	Blue	ILF24-0,5B-45x18DL48-30(41)
12	365	38	Blue	ILF24-0,5B-38DL48-30(41)
12	375	17	Blue	ILF24-0,5B-17DL48-30(41)

# INTISLIM

WATTAGE, W	LUMINOUS FLUX, LM	OPTICS, DEGREE	COLOUR	CODE
<b>604x35x30 MM, 0,7 KG</b>				
11,5	530	45x18	RGB	ILF24-0,5RGB-45x18CL24-60
11,5	560	38	RGB	ILF24-0,5RGB-38CL24-60
11,5	570	17	RGB	ILF24-0,5RGB-17CL24-60
12	1200	45x18	3000 K	ILF24-0,5W30-45x18DL48-60(41)
12	1300	38	3000 K	ILF24-0,5W30-38DL48-60(41)
12	1300	17	3000 K	ILF24-0,5W30-17DL48-60(41)
12	1300	45x18	4000 K	ILF24-0,5W40-45x18DL48-60(41)
12	1350	38	4000 K	ILF24-0,5W40-38DL48-60(41)
12	1400	17	4000 K	ILF24-0,5W40-17DL48-60(41)
12	1300	45x18	5000 K	ILF24-0,5W50-45x18DL48-60(41)
12	1350	38	5000 K	ILF24-0,5W50-38DL48-60(41)
12	1400	17	5000 K	ILF24-0,5W50-17DL48-60(41)
<b>903x35x30 MM, 1,1 KG</b>				
17	700	45x18	Red	ILF48-0,5R-45x18DL48-30(41)
17	730	38	Red	ILF48-0,5R-38DL48-30(41)
17	750	17	Red	ILF48-0,5R-17DL48-30(41)
18	520	45x18	Red	ILF36-0,5R-45x18DL48-30(41)
18	550	38	Red	ILF36-0,5R-38DL48-30(41)
18	560	17	Red	ILF36-0,5R-17DL48-30(41)
18	520	45x18	Blue	ILF36-0,5B-45x18DL48-30(41)
18	550	38	Blue	ILF36-0,5B-38DL48-30(41)
18	560	17	Blue	ILF36-0,5B-17DL48-30(41)
18	1050	45x18	Amber	ILF36-0,5A-45x18DL48-30(41)
18	1100	38	Amber	ILF36-0,5A-38DL48-30(41)
18	1100	17	Amber	ILF36-0,5A-17DL48-30(41)
18	1300	45x18	Green	ILF36-0,5G-45x18DL48-30(41)
18	1350	38	Green	ILF36-0,5G-38DL48-30(41)
18	1400	17	Green	ILF36-0,5G-17DL48-30(41)
17	800	45x18	RGB	ILF36-0,5RGB-45x18CL24-90
17	840	38	RGB	ILF36-0,5RGB-38CL24-90
17	860	17	RGB	ILF36-0,5RGB-17CL24-90
18	1850	45x18	3000 K	ILF36-0,5W30-45x18DL48-90(41)
18	1950	38	3000 K	ILF36-0,5W30-38DL48-90(41)
18	1950	17	3000 K	ILF36-0,5W30-17DL48-90(41)
18	2000	45x18	4000 K	ILF36-0,5W40-45x18DL48-90(41)
18	2050	38	4000 K	ILF36-0,5W40-38DL48-90(41)
18	2100	17	4000 K	ILF36-0,5W40-17DL48-90(41)
18	2000	45x18	5000 K	ILF36-0,5W50-45x18DL48-90(41)
18	2050	38	5000 K	ILF36-0,5W50-38DL48-90(41)
18	2100	17	5000 K	ILF36-0,5W50-17DL48-90(41)

# INTISLIM

WATTAGE, W	LUMINOUS FLUX, LM	OPTICS, DEGREE	COLOUR	CODE
<b>1202x35x30 MM, 1,4 KG</b>				
23,5	1750	45x18	Green	ILF48-0,5G-45x18DL48-30(41)
23,5	1850	38	Green	ILF48-0,5G-38DL48-30(41)
23,5	1900	17	Green	ILF48-0,5G-17DL48-30(41)
24	700	45x18	Blue	ILF48-0,5B-45x18DL48-30(41)
24	730	38	Blue	ILF48-0,5B-38DL48-30(41)
24	750	17	Blue	ILF48-0,5B-17DL48-30(41)
24,5	1400	45x18	Amber	ILF48-0,5A-45x18DL48-30(41)
24,5	1450	38	Amber	ILF48-0,5A-38DL48-30(41)
24,5	1500	17	Amber	ILF48-0,5A-17DL48-30(41)
23	1050	45x18	RGB	ILF48-0,5RGB-45x18CL24-120
23	1100	38	RGB	ILF48-0,5RGB-38CL24-120
23	1150	17	RGB	ILF48-0,5RGB-17CL24-120
24,5	2450	45x18	3000 K	ILF48-0,5W30-45x18DL48-120(41)
24,5	2600	38	3000 K	ILF48-0,5W30-38DL48-120(41)
24,5	2650	17	3000 K	ILF48-0,5W30-17DL48-120(41)
24,5	2650	45x18	4000 K	ILF48-0,5W40-45x18DL48-120(41)
24,5	2750	38	4000 K	ILF48-0,5W40-38DL48-120(41)
24,5	2850	17	4000 K	ILF48-0,5W40-17DL48-120(41)
24,5	2650	45x18	5000 K	ILF48-0,5W50-45x18DL48-120(41)
24,5	2750	38	5000 K	ILF48-0,5W50-38DL48-120(41)
24,5	2850	17	5000 K	ILF48-0,5W50-17DL48-120(41)
<b>1510x35x30 MM, 1,8 KG</b>				
29	1300	45x18	RGB	ILF60-0,5RGB-45x18CL24-150
29	1400	38	RGB	ILF60-0,5RGB-38CL24-150
29	1400	17	RGB	ILF60-0,5RGB-17CL24-150
30,5	3100	45x18	3000 K	ILF60-0,5W30-45x18DL48-150(41)
30,5	3250	38	3000 K	ILF60-0,5W30-38DL48-150(41)
30,5	3300	17	3000 K	ILF60-0,5W30-17DL48-150(41)
30,5	3300	45x18	4000 K	ILF60-0,5W40-45x18DL48-150(41)
30,5	3450	38	4000 K	ILF60-0,5W40-38DL48-150(41)
30,5	3550	17	4000 K	ILF60-0,5W40-17DL48-150(41)
30,5	3300	45x18	5000 K	ILF60-0,5W50-45x18DL48-150(41)
30,5	3450	38	5000 K	ILF60-0,5W50-38DL48-150(41)
30,5	3550	17	5000 K	ILF60-0,5W50-17DL48-150(41)

# INTITUBE

The IntiTUBE series LED luminaire is designed to form continuous luminous lines. The case of the device is made of light-diffusing polycarbonate with UV-stabilizer

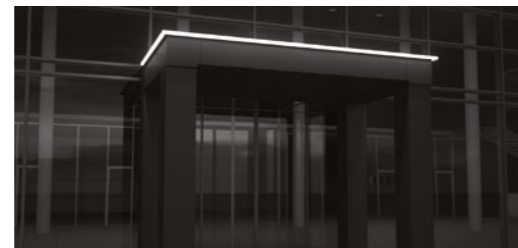
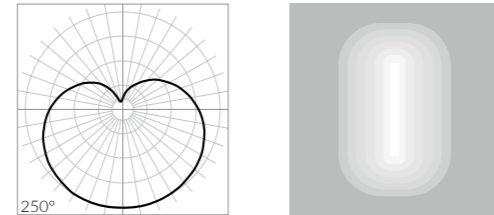


# INTITUBE

## TECHNICAL CHARACTERISTICS

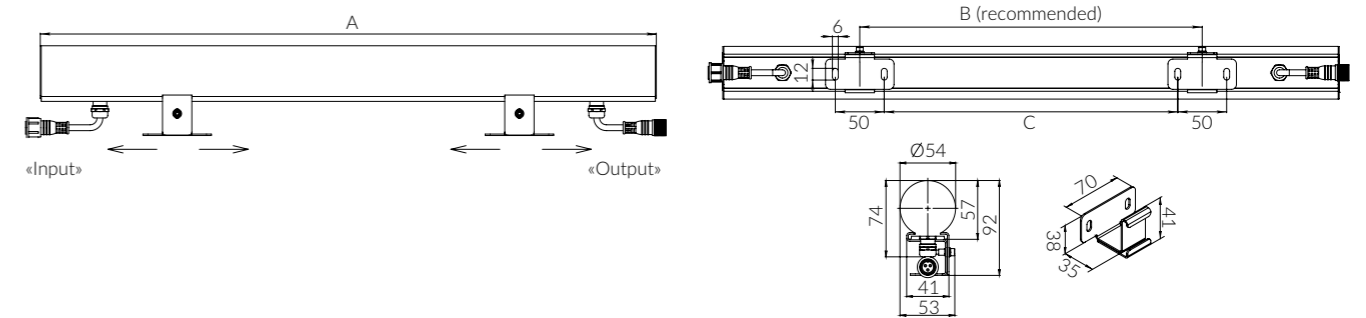
- Light source:**  
Nichia (Japan) LEDs
- Light color:**  
white (3000 K, 4000 K, 5000 K), full color
- Optics:**  
250°
- Luminous flux:**  
40–1900 lm
- CRI:**  
≥80
- Wattage:**  
3,15–23,5 W
- Voltage:**  
mono: 48 V DC  
fullcolor: 24 V DC
- Protection class:**  
IP65
- Operating temperature:**  
tropical edition: -40°C ... +55°C  
standard edition: -40°C ... +45°C
- Lifespan:**  
not less than 50000 hours
- Control:**  
mono: PWM  
fullcolor: DMX-512, ILCS (IntiLED Lighting Control System)
- Lengths:**  
265, 380, 515, 630, 765, 880, 1015, 1130, 1265 mm
- Front dimensions:**  
54x92 mm
- Weight:**  
0,3–1 kg
- Materials:**  
housing: light-diffusing polycarbonate with UV stabilizer; end caps: light-diffusing polycarbonate with UV stabilizer; mounting brackets: zink chrome-plated steel with RAL 9006 powder paint coating; mounts: stainless steel
- Mounting:**  
on an adjustable brackets, the brackets can slide along the body of the luminaire for adjustable installation
- Accessories:**  
essential: power supply/module, cable set (if power supply is used), end-cap; optional: extension cable
- Customization:**  
control/power cables of any length up to 10 m;  
production of customized accessories; IP68 connectors
- Contents of delivery:**  
luminaire, brackets, passport, package

## LIGHTING EFFECTS



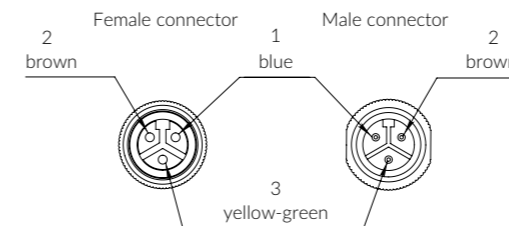
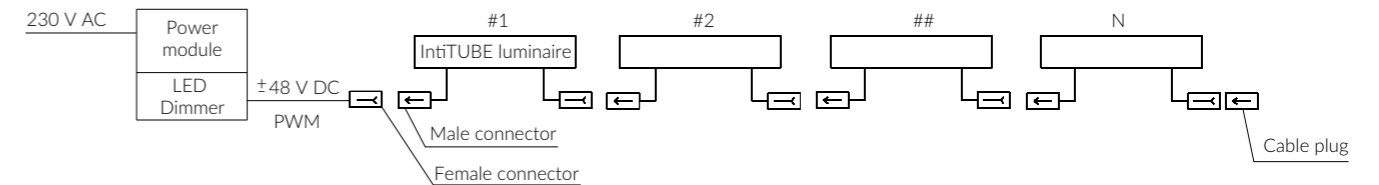
# INTITUBE

## DIMENSIONAL DRAWING



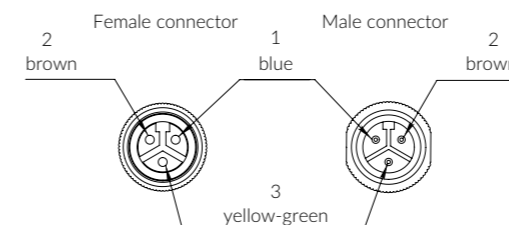
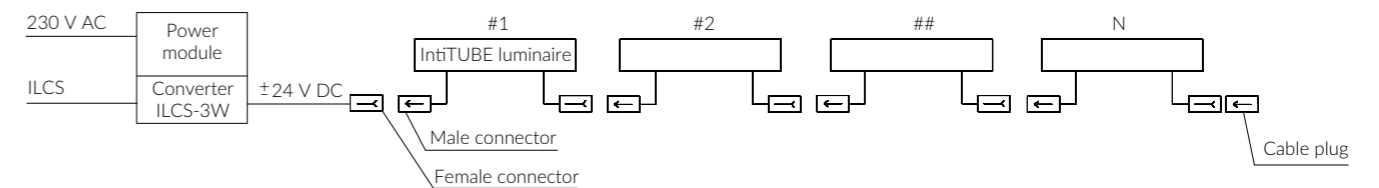
Nominal length, cm	30	40	50	60	80	90	100	120	130
A, mm	265	380	515	630	765	880	1015	1130	1265
B, mm	-	150	250	350	400	500	600	850	850
C, mm	-	100	200	300	350	450	550	800	800

## INTITUBE WHITE COLOR LUMINAIRE CONNECTIONS DIAGRAM



N	Wire color	Input/Output
1	blue	PWM
2	brown	+ 48 V
3	yellow-green	-48 V

## INTITUBE COLOR DYNAMIC LUMINAIRE CONNECTIONS DIAGRAM



N	Wire color	Input/Output
1	blue	DATA
2	brown	+ 24 V
3	yellow-green	- 24 V

# INTITUBE

## COMPATIBLE DEVICES & ACCESSORIES

### Control devices

LED IPCe controller  
Sens SR-2812-IN Black  
LED Dimmer control unit  
USB-ILCS converter  
ILCS-3W converter  
DMX-3W converter  
DMX-DIM (DIMM) converter  
ILCS(U4) splitter  
DMX(B1T2) splitter

### Power supply devices

mono  
I-320-48 power module  
I-240-48 power module  
I-185-48 power module  
I-150-48 power module  
T-240-48 power module  
T-185-48 power module  
T-150-48 power module

### fullcolor

T-240-24 power module  
T-185-24 power module  
T-150-24 power module

### Connection devices

0,3 m extension cable – KU-1.1.0-0,3  
0,4 m extension cable – KU-1.1.0-0,4  
0,5 m extension cable – KU-1.1.0-0,5  
0,6 m extension cable – KU-1.1.0-0,6  
0,7 m extension cable – KU-1.1.0-0,7  
1 m extension cable – KU-1.1.0-1  
1,5 m extension cable – KU-1.1.1-1,5  
2 m extension cable – KU-1.1.1-2  
3 m extension cable – KU-1.1.1-3  
4 m extension cable – KU-1.1.1-4  
5 m extension cable – KU-1.1.1-5  
6 m extension cable – KU-1.1.1-6  
7 m extension cable – KU-1.1.1-7  
8 m extension cable – KU-1.1.1-8  
9 m extension cable – KU-1.1.1-9  
10 m extension cable – KU-1.1.1-10  
11 m extension cable – KU-1.1.1-11  
12 m extension cable – KU-1.1.1-12  
13 m extension cable – KU-1.1.1-13  
14 m extension cable – KU-1.1.1-14  
15 m extension cable – KU-1.1.1-15  
20 m extension cable – KU-1.1.1-20  
J3F end cap

# INTITUBE

## MODEL RANGES

WATTAGE, W	LUMINOUS FLUX, LM	OPTICS, DEGREE	COLOUR	CODE
<b>265x54x57 MM, 0,3 KG</b>				
3,15	72	250	полноцвет	ITF10-0,3FC-250CL24-30
3,20	40	250	Blue	ITF10-0,2B-250CL24-30
3,35	48	250	Red	ITF10-0,2R-250CL24-30
3,75	160	250	Green	ITF10-0,2G-250CL24-30
3,80	265	250	Amber	ITF10-0,5A-250DL48-30
3,85	64	250	Blue	ITF10-0,5B-250DL48-30
4,10	80	250	Red	ITF10-0,5R-250DL48-30
4,60	265	250	Green	ITF10-0,5G-250DL48-30
3,30	225	250	3000 K	ITF10-0,2W30-250CL24-30
3,30	225	250	4000 K	ITF10-0,2W40-250CL24-30
3,30	250	250	5000 K	ITF10-0,2W50-250CL24-30
4,05	330	250	3000 K	ITF10-0,5W30-250DL48-30
4,05	345	250	4000 K	ITF10-0,5W40-250DL48-30
4,05	375	250	5000 K	ITF10-0,5W50-250DL48-30
<b>380x54x57 MM, 0,4 KG</b>				
4,70	110	250	полноцвет	ITF15-0,3FC-250CL24-40
5,70	395	250	Amber	ITF15-0,5A-250DL48-40
5,80	96	250	Blue	ITF15-0,5B-250DL48-40
6,10	120	250	Red	ITF15-0,5R-250DL48-40
6,90	395	250	Green	ITF15-0,5G-250DL48-40
6,00	490	250	3000 K	ITF15-0,5W30-250DL48-40
6,00	520	250	4000 K	ITF15-0,5W40-250DL48-40
6,00	560	250	5000 K	ITF15-0,5W50-250DL48-40
<b>515x54x57 MM, 0,6 KG</b>				
6,30	145	250	полноцвет	ITF20-0,3FC-250CL24-50
6,40	80	250	Blue	ITF20-0,2B-250CL24-50
6,70	96	250	Red	ITF20-0,2R-250CL24-50
7,50	320	250	Green	ITF20-0,2G-250CL24-50
7,60	530	250	Amber	ITF20-0,5A-250DL48-50
7,70	130	250	Blue	ITF20-0,5B-250DL48-50
8,20	160	250	Red	ITF20-0,5R-250DL48-50
9,20	530	250	Green	ITF20-0,5G-250DL48-50
6,60	450	250	3000 K	ITF20-0,2W30-250CL24-50
6,60	450	250	4000 K	ITF20-0,2W40-250CL24-50
6,60	495	250	5000 K	ITF20-0,2W50-250CL24-50
8,10	660	250	3000 K	ITF20-0,5W30-250DL48-50
8,10	690	250	4000 K	ITF20-0,5W40-250DL48-50
8,10	750	250	5000 K	ITF20-0,5W50-250DL48-50

630x54x57 MM, 0,6 KG →

# INTITUBE

WATTAGE, W	LUMINOUS FLUX, LM	OPTICS, DEGREE	COLOUR	CODE
------------	-------------------	----------------	--------	------

## 630x54x57 MM, 0,6 KG

7,80	180	250	полноцвет	ITF25-0,3FC-250CL24-60
9,50	660	250	Amber	ITF25-0,5A-250DL48-60
9,70	160	250	Blue	ITF25-0,5B-250DL48-60
10,00	200	250	Red	ITF25-0,5R-250DL48-60
11,50	660	250	Green	ITF25-0,5G-250DL48-60
10,00	820	250	3000 K	ITF25-0,5W30-250DL48-60
10,00	860	250	4000 K	ITF25-0,5W40-250DL48-60
10,00	940	250	5000 K	ITF25-0,5W50-250DL48-60

## 765x54x57 MM, 0,7 KG

9,40	215	250	полноцвет	ITF30-0,3FC-250CL24-80
9,50	120	250	Blue	ITF30-0,2B-250CL24-80
10,00	145	250	Red	ITF30-0,2R-250CL24-80
11,00	480	250	Green	ITF30-0,2G-250CL24-80
11,50	790	250	Amber	ITF30-0,5A-250DL48-80
11,50	190	250	Blue	ITF30-0,5B-250DL48-80
12,50	240	250	Red	ITF30-0,5R-250DL48-80
14,00	790	250	Green	ITF30-0,5G-250DL48-80
9,90	670	250	3000 K	ITF30-0,2W30-250CL24-80
9,90	670	250	4000 K	ITF30-0,2W40-250CL24-80
9,90	740	250	5000 K	ITF30-0,2W50-250CL24-80
12,00	980	250	3000 K	ITF30-0,5W30-250DL48-80
12,00	1050	250	4000 K	ITF30-0,5W40-250DL48-80
12,00	1150	250	5000 K	ITF30-0,5W50-250DL48-80

## 880x54x57 MM, 0,8 KG

11,00	250	250	полноцвет	ITF35-0,3FC-250CL24-90
13,50	920	250	Amber	ITF35-0,5A-250DL48-90
13,50	225	250	Blue	ITF35-0,5B-250DL48-90
14,50	280	250	Red	ITF35-0,5R-250DL48-90
16,00	920	250	Green	ITF35-0,5G-250DL48-90
14,00	1150	250	3000 K	ITF35-0,5W30-250DL48-90
14,00	1200	250	4000 K	ITF35-0,5W40-250DL48-90
14,00	1300	250	5000 K	ITF35-0,5W50-250DL48-90

## 1015x54x57 MM, 0,8 KG

12,50	160	250	Blue	ITF40-0,2B-250CL24-100
12,50	290	250	полноцвет	ITF40-0,3FC-250CL24-100
13,50	190	250	Red	ITF40-0,2R-250CL24-100
14,00	325	250	полноцвет	ITF45-0,3FC-250CL24-120
15,00	640	250	Green	ITF40-0,2G-250CL24-100
15,00	1050	250	Amber	ITF40-0,5A-250DL48-100

# INTITUBE

WATTAGE, W	LUMINOUS FLUX, LM	OPTICS, DEGREE	COLOUR	CODE
------------	-------------------	----------------	--------	------

## 1015x54x57 MM, 0,8 KG

15,50	255	250	Blue	ITF40-0,5B-250DL48-100
16,50	320	250	Red	ITF40-0,5R-250DL48-100
13,00	900	250	3000 K	ITF40-0,2W30-250CL24-100
13,00	900	250	4000 K	ITF40-0,2W40-250CL24-100
13,00	990	250	5000 K	ITF40-0,2W50-250CL24-100
16,00	1300	250	3000 K	ITF40-0,5W30-250DL48-100
16,00	1400	250	4000 K	ITF40-0,5W40-250DL48-100
16,00	1500	250	5000 K	ITF40-0,5W50-250DL48-100

## 1130x54x57 MM, 0,9 KG

17,00	1200	250	Amber	ITF45-0,5A-250DL48-120
17,50	290	250	Blue	ITF45-0,5B-250DL48-120
18,50	1050	250	Green	ITF40-0,5G-250DL48-100
18,50	360	250	Red	ITF45-0,5R-250DL48-120
20,50	1200	250	Green	ITF45-0,5G-250DL48-120
18,00	1500	250	3000 K	ITF45-0,5W30-250DL48-120
18,00	1550	250	4000 K	ITF45-0,5W40-250DL48-120
18,00	1700	250	5000 K	ITF45-0,5W50-250DL48-120

## 1265x54x57 MM, 1 KG

15,50	360	250	полноцвет	ITF50-0,3FC-250CL24-130
16,00	200	250	Blue	ITF50-0,2B-250CL48-130
17,00	240	250	Red	ITF50-0,2R-250CL24-130
18,50	800	250	Green	ITF50-0,2G-250CL24-130
19,00	1300	250	Amber	ITF50-0,5A-250DL48-130
19,50	320	250	Blue	ITF50-0,5B-250DL48-130
20,50	400	250	Red	ITF50-0,5R-250DL48-130
23,50	1300	250	Green	ITF50-0,5G-250DL48-130
16,50	1100	250	3000 K	ITF50-0,2W30-250CL24-130
16,50	1100	250	4000 K	ITF50-0,2W40-250CL24-130
16,50	1250	250	5000 K	ITF50-0,2W50-250CL24-130
20,00	1650	250	3000 K	ITF50-0,5W30-250DL48-130
20,00	1700	250	4000 K	ITF50-0,5W40-250DL48-130
20,00	1900	250	5000 K	ITF50-0,5W50-250DL48-130

Power module supply ordered separately

# LACE

The LACE series is designed to create flawless linear LED light lines on surfaces of any shape. Various bending options and a wide selection of lighting effects reveal the real freedom in lighting design

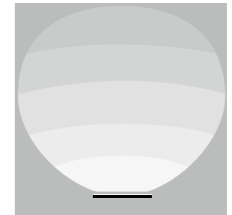
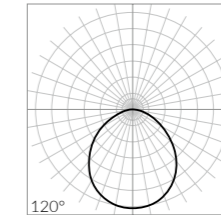


# LACE

## TECHNICAL CHARACTERISTICS

- Light source:**  
Nichia (Japan)
- Light color:**  
white (3000 K, 4000 K, 5000 K), RGB, full color
- Optics:**  
120°
- Luminous flux:**  
140-1025 lm/m
- CRI:**  
≥80
- Wattage:**  
11-18 W/m
- Voltage:**  
5, 24 V DC
- Protection class:**  
IP 68/68-Salt
- Operating temperature:**  
-40°C ... +45°C
- Lifespan:**  
not less than 50 000 hours
- Control:**  
DMX-512
- Maximum length:**  
14 m
- Bending:**  
vertical/horizontal
- Materials:**  
PETERS® bi-components polyurethane resin UV treatment;  
PVC outer case; Kapton® LED boards, providing a high level  
of resistance to mechanical loads
- Mounting:**  
different mounting options available: silicon clips and outercases  
for the curved surfaces, aluminum profiles or steel clips for the flat  
surfaces. The power cable exit can be from the end, side and back  
of the fixture depending on the project
- contents of delivery:**  
luminaire, passport, package

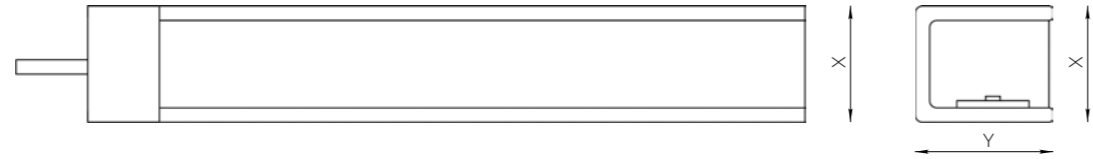
## LIGHTING EFFECTS





# LACE

## DIMENSIONAL DRAWING



Width (x), mm	Height (y), mm
16	19
14	6,5
11	10
9,5	6,5

## COMPATIBLE DEVICES & ACCESSORIES

### Control devices

LED IPCe controller  
Sens SR-2812-IN Black  
USB-ILCS converter  
ILCS-DMX converter  
DMX(B1T2) splitter  
ILCS(U4) splitter

### Accessories

aluminum profile  
white sylicon profile  
frost sylicon profile  
white sylicon clips  
frost sylicon clips  
steel clips

## MODEL RANGES

WATTAGE, W/M	LUMINOUS FLUX, L/M/M	COLOUR	BEND	CODE*	DIFFUSER/BODY	END DIMENSIONS, MM	MAX LENGTH WITH CABLE ONE/TWO SIDES, M	WEIGHT, KG/M
11	1025	5000 K	V	LACE-VS-W50-(X)-100	transparent/white	9,5 x 6,5	7/14	0,115
11	240	5000 K	V	LACE-VL-W50-(X)-100	matt/white	16 x 19	5/5	0,385
11	505	5000 K	V	LACE-VDV-W50-(X)-100	matt/matt	16 x 19	5/5	0,385
15	350	RGB	V	LACE-VS-RGB-(X)-100	transparent/white	14 x 6,5	5/10	0,145
15,5	370	RGB	V	LACE-VL-RGB-(X)-100	matt/white	10 x 11	5/10	0,385
18	570	полноцветный	V	LACE-VL-FC-(X)-100	matt/white	16 x 19	5/5	0,385
15	190	RGB	V	LACE-VDV-RGB-(X)-100	matt/matt	16 x 9	5/5	0,145
15	140	RGB	H	LACE-HL-RGB-(X)-100	matt/white	16 x 19	5/5	0,385
11	405	5000 K	H	LACE-HS-W50-(X)-100	transparent/white	11 x 10	6/12	0,165
11	270	5000 K	H	LACE-HL-W50-(X)-100	matt/white	16 x 19	5/5	0,385

\*[X] – combination of parameters: cable color; cable outlet surface; cable outlet on one/two sides

# INTISTARK BIG-BLOCK

The IntiSTARK big-block floodlight is a modern system for dynamic illumination of large sites, such as television towers, high-rise buildings, bridges and monuments



# INTISTARK BIG-BLOCK

## TECHNICAL CHARACTERISTICS

### Light source:

Nichia (Japan), Cree (USA) LEDs

### Light color:

white (3000 K, 4000 K, 5000 K), RGBW

### Optics:

10°, 30°, 10a30°, 10x50°, 60°, 80°

### Luminous flux:

14 750–27 350 lm

### CRI:

≥80

### Power factor Cos φ:

>0,9

### Wattage:

270–350 W

### Voltage:

90–264 V AC

### Protection class:

IP66

### Operating temperature:

tropical edition: -40°C ... +55°C

standard edition: -40°C ... +45°C

### Lifespan:

not less than 50000 hours

### Control:

mono: not available

RGBW: DMX-512

### Dimensions:

mono: 516x249x493 mm

RGBW: 574x272x527 mm

### Weight:

22, 27 kg

### Materials:

housing: extruded aluminum with galvanic coating; end caps:

aluminum alloy; protective glass: silicate tempered glass; mounting

brackets: zink-plated steel covered with powder paint to fit the housing

color; mounts: stainless steel

### Mounting:

on a multifunctional bracket with flexible adjustment

### Customization:

customized LEDs color combinations; control/power cables

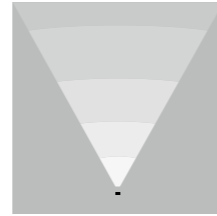
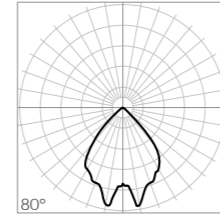
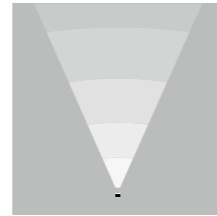
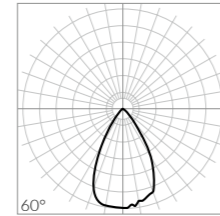
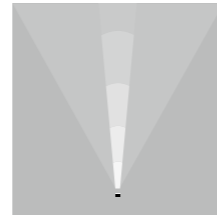
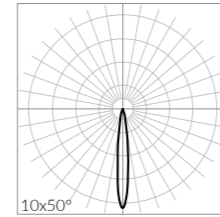
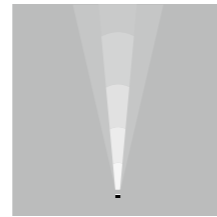
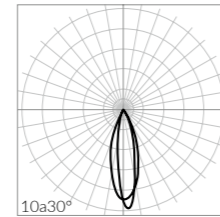
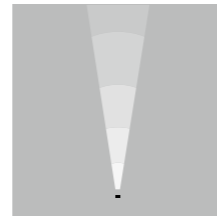
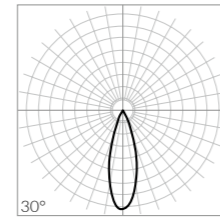
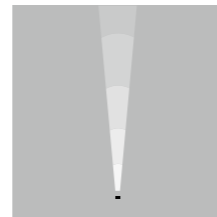
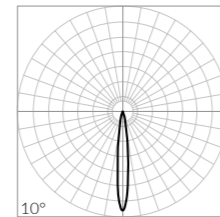
of any length; housing and accessories painting in any RAL color;

production of customized accessories; IP68 connectors; control: PWM

### Contents of delivery:

luminaire, installation kit, passport, package

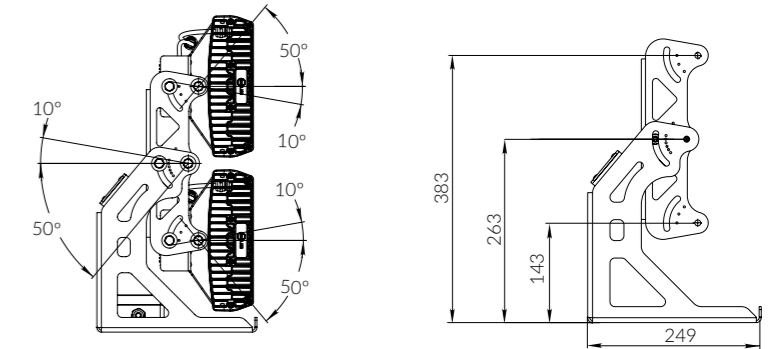
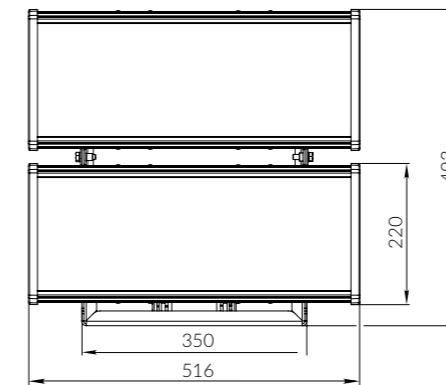
## LIGHTING EFFECTS



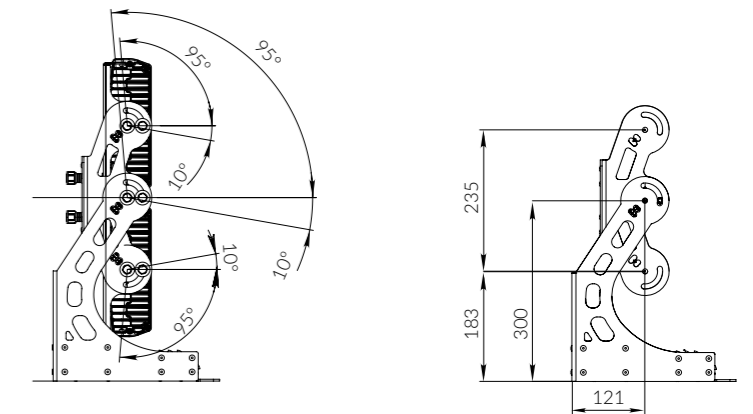
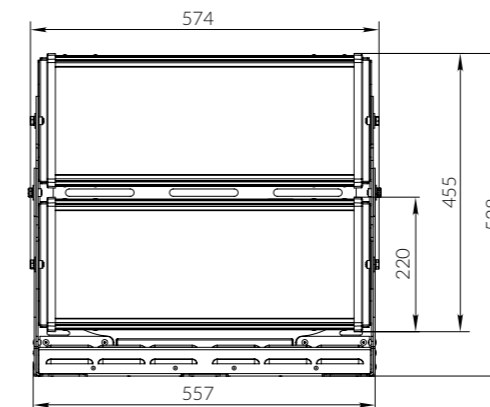
# INTISTARK BIG-BLOCK

## DIMENSIONAL DRAWING

### INTISTARK BIG-BLOCK WHITE COLOR LUMINAIRE DIMENSIONAL DRAWING

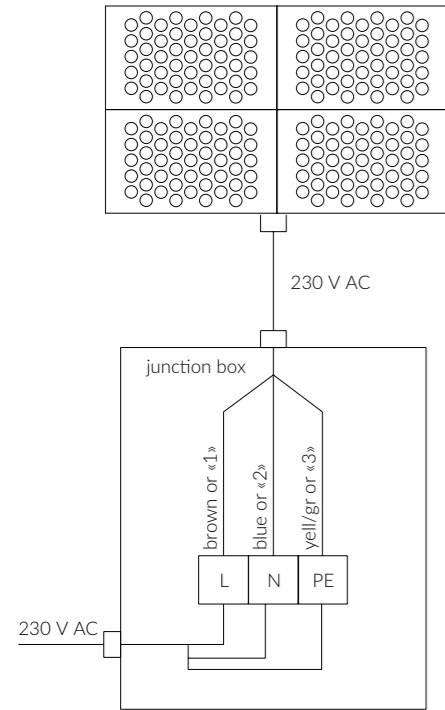


### INTISTARK BIG-BLOCK COLOR DYNAMIC LUMINAIRE DIMENSIONAL DRAWING

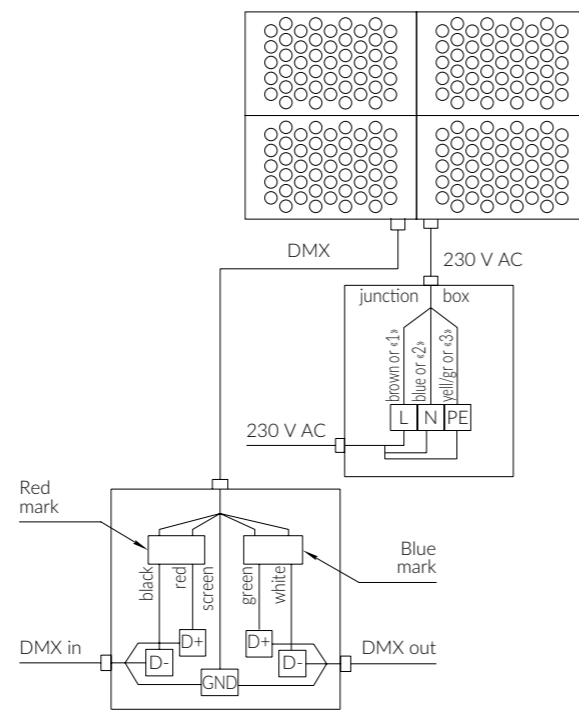


# INTISTARK BIG-BLOCK

INTISTARK BIG-BLOCK WHITE COLOR LUMINAIRE CONNECTIONS DIAGRAM



INTISTARK BIG-BLOCK COLOR DYNAMIC LUMINAIRE CONNECTIONS DIAGRAM



# INTISTARK BIG-BLOCK

## COMPATIBLE DEVICES & ACCESSORIES

LED IPCe controller  
Sens SR-2812-IN Black  
USB-ILCS converter

ILCS-DMX converter  
DMX(B1T2) splitter  
ILCS(U4) splitter

## MODEL RANGES

WATTAGE, W	LUMINOUS FLUX, LM	OPTICS, DEGREE	COLOUR	CODE
<b>516x245x493 MM, 22 KG</b>				
320	23 000	10a30	3000 K	IMF144-2W30-10a30H
320	25 000	10	3000 K	IMF144-2W30-10H
320	23 000	10x50	3000 K	IMF144-2W30-10x50H
320	24 500	30	3000 K	IMF144-2W30-30H
320	24 500	60	3000 K	IMF144-2W30-60H
320	25 500	80	3000 K	IMF144-2W30-80H
320	24 500	10a30	4000 K	IMF144-2W40-10a30H
320	26 000	10	4000 K	IMF144-2W40-10H
320	24 500	10x50	4000 K	IMF144-2W40-10x50H
320	25 500	30	4000 K	IMF144-2W40-30H
320	25 500	60	4000 K	IMF144-2W40-60H
320	27 000	80	4000 K	IMF144-2W40-80H
320	24 500	10a30	5000 K	IMF144-2W50-10a30H
320	26 000	10	5000 K	IMF144-2W50-10H
320	24 500	10x50	5000 K	IMF144-2W50-10x50H
320	25 000	30	5000 K	IMF144-2W50-30H
320	25 500	60	5000 K	IMF144-2W50-60H
320	27 000	80	5000 K	IMF144-2W50-80H
335	13 000	10a30	Amber	IMF144-2A-10a30H
335	14 000	10	Amber	IMF144-2A-10H
335	13 000	10x50	Amber	IMF144-2A-10x50H
335	13 500	30	Amber	IMF144-2A-30H
335	13 500	60	Amber	IMF144-2A-60H
335	14 500	80	Amber	IMF144-2A-80H
335	6000	10a30	Blue	IMF144-2B-10a30H
335	6500	10	Blue	IMF144-2B-10H
335	6000	10x50	Blue	IMF144-2B-10x50H

# INTISTARK BIG-BLOCK

WATTAGE, W	LUMINOUS FLUX, LM	OPTICS, DEGREE	COLOUR	CODE
335	6300	30	Blue	IMF144-2B-30H
335	6300	60	Blue	IMF144-2B-60H
335	6700	80	Blue	IMF144-2B-80H
350	13000	10a30	Green	IMF144-2G-10a30H
350	13500	10	Green	IMF144-2G-10H
350	13000	10x50	Green	IMF144-2G-10x50H
350	13500	30	Green	IMF144-2G-30H
350	13500	60	Green	IMF144-2G-60H
350	14000	80	Green	IMF144-2G-80H
260	7600	10a30	Red	IMF144-2R-10a30H
260	8100	10	Red	IMF144-2R-10H
260	7600	10x50	Red	IMF144-2R-10x50H
260	7900	30	Red	IMF144-2R-30H
260	7900	60	Red	IMF144-2R-60H
260	8400	80	Red	IMF144-2R-80H

## 574x272x528 MM, 27 KG

270	7 400	10a30	RGBW	IMF196-2RGBW30-10a30CH
270	7 400	10a30	RGBW	IMF196-2RGBW40-10a30CH
270	7 400	10a30	RGBW	IMF196-2RGBW50-10a30CH
270	7 900	10x50	RGBW	IMF196-2RGBW30-10x50CH
270	7 900	10x50	RGBW	IMF196-2RGBW40-10x50CH
270	7 900	10x50	RGBW	IMF196-2RGBW50-10x50CH
270	8 000	10	RGBW	IMF196-2RGBW30-10CH
270	8 000	10	RGBW	IMF196-2RGBW40-10CH
270	8 000	10	RGBW	IMF196-2RGBW50-10CH
270	8 300	30	RGBW	IMF196-2RGBW30-30CH
270	8 300	80	RGBW	IMF196-2RGBW30-80CH
270	8 300	30	RGBW	IMF196-2RGBW40-30CH
270	8 300	80	RGBW	IMF196-2RGBW40-80CH
270	8300	30	RGBW	IMF196-2RGBW50-30CH
270	8300	80	RGBW	IMF196-2RGBW50-80CH
270	8 400	60	RGBW	IMF196-2RGBW30-60CH
270	8 400	60	RGBW	IMF196-2RGBW40-60CH
270	8400	60	RGBW	IMF196-2RGBW50-60CH

# INTISTARK

It is intended for flood lighting. Individual controlling of each color allows for using the floodlight for creating both moderate daily lighting and dynamic illumination on festive occasions

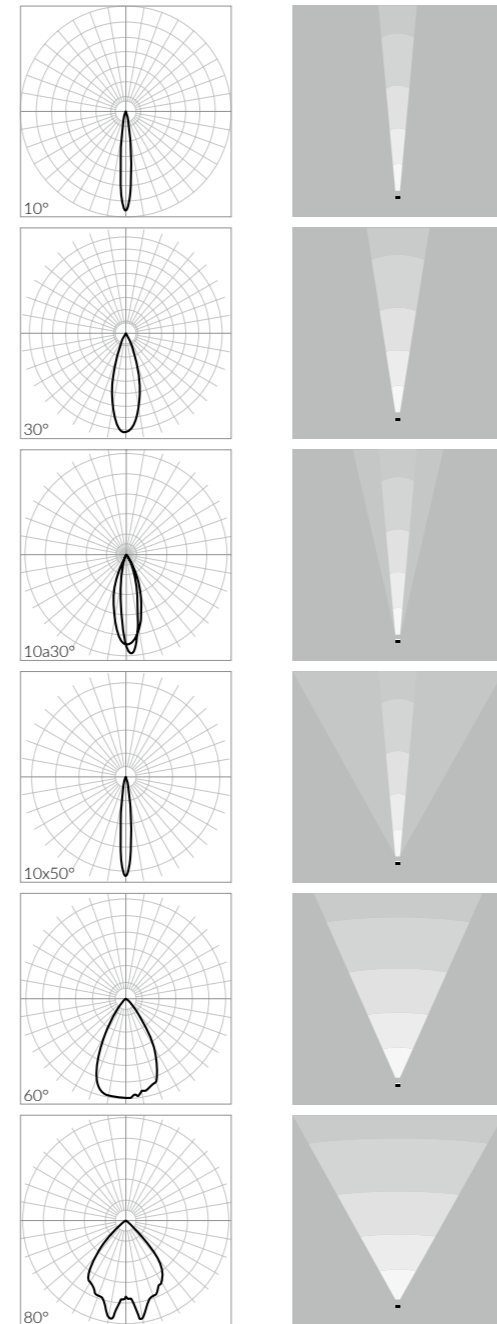


# INTISTARK

## TECHNICAL CHARACTERISTICS

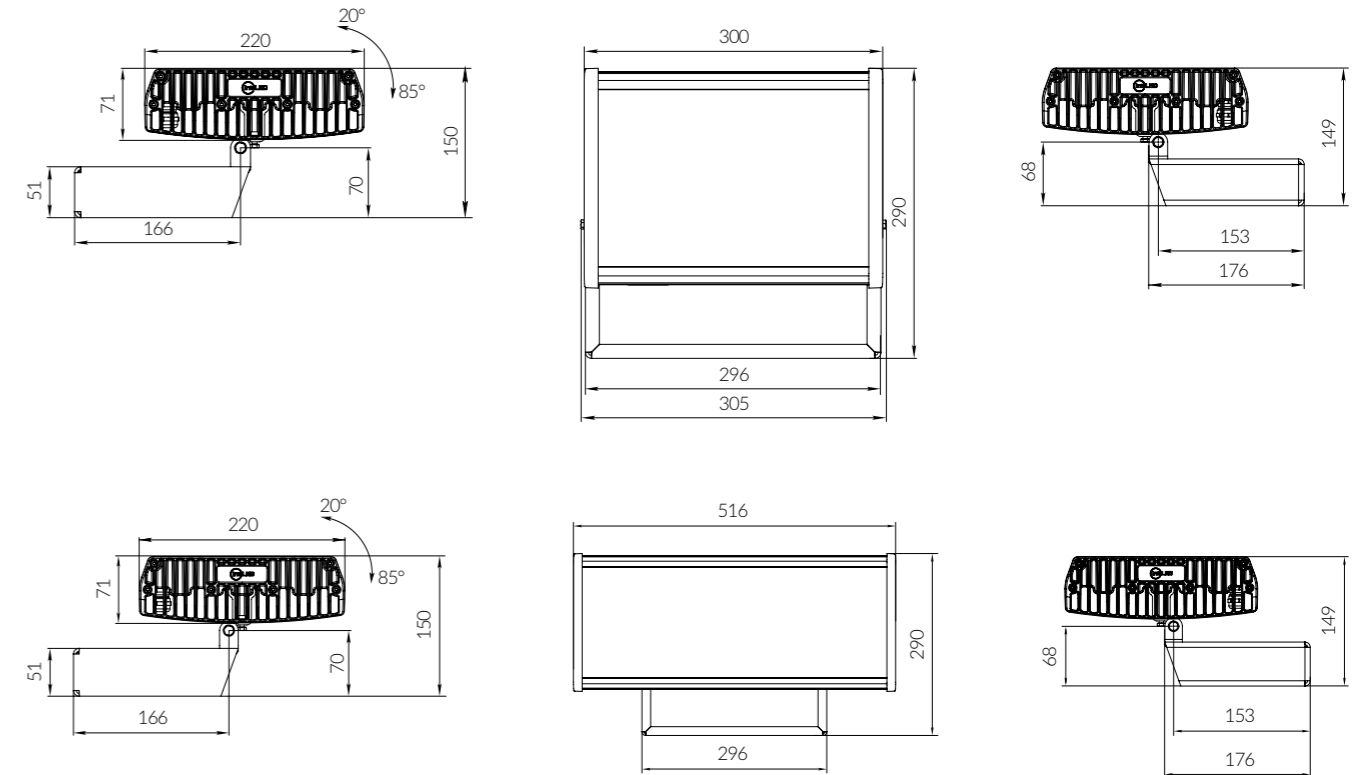
- Light source:**  
Nichia (Japan), Cree (USA) LEDs
- Light color:**  
white (3000 K, 4000 K, 5000 K), red, green, blue, amber, RGB, RGBW
- Optics:**  
10°, 30°, 10a30°, 10x50°, 60°, 80°
- Luminous flux:**  
590-13 650 lm
- CRI:**  
≥80
- Power factor Cos φ:**  
>0,9
- Wattage:**  
19-186 W
- Voltage:**  
90-264 V AC
- Protection class:**  
IP66
- Operating temperature:**  
tropical edition: -40°C ... +55°C  
standard edition: -40°C ... +45°C
- Lifespan:**  
not less than 50 000 hours
- Control:**  
mono: not available  
RGB, RGBW: DMX-512
- Dimensions:**  
basic version: 300x220x71 mm  
double version: 510x220x71 mm
- Weight:**  
5,5-9,5 kg
- Materials:**  
device housing: extruded aluminum section with galvanic coating;  
end caps: aluminum alloy; protective glass: silicate hardened glass;  
mounting arms: zink-plated steel covered with powder paint  
to fit the luminaire color; mounts: stainless steel
- Mounting:**  
on an adjustment bracket
- Customization:**  
customized LEDs color combinations; control/power cables  
of any length; housing and accessories painting in any RAL color;  
production of customized accessories; IP68 connectors; control: PWM
- Contents of delivery:**  
luminaire, installation kit, passport, package

## LIGHTING EFFECTS

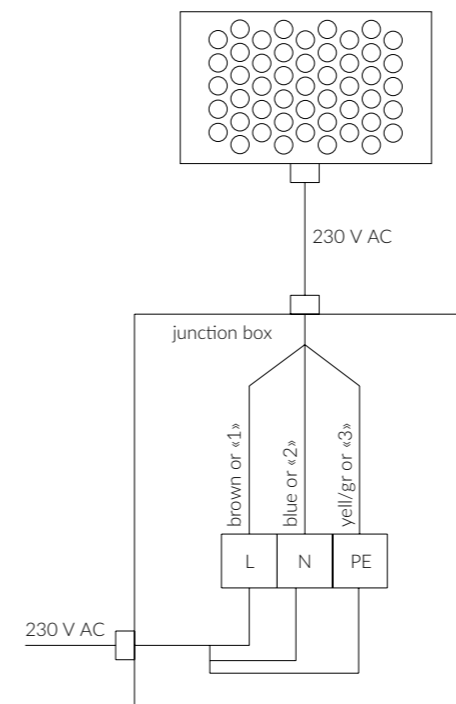


# INTISTARK

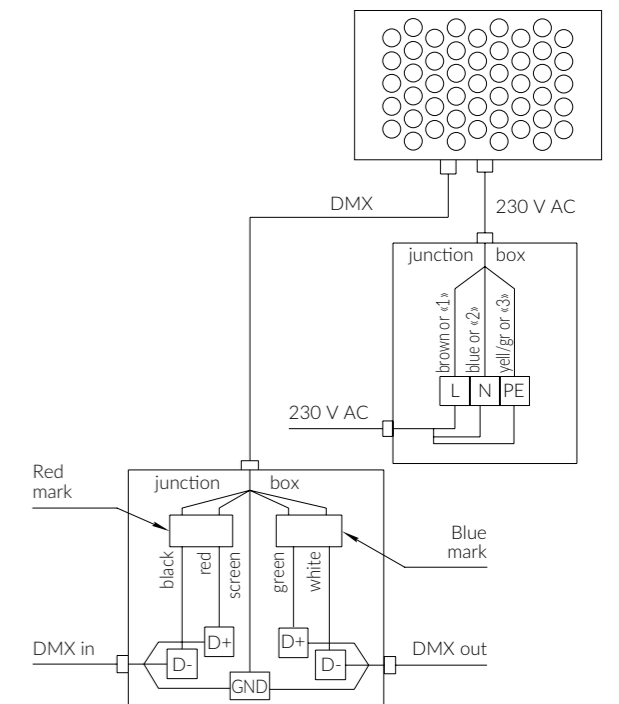
## DIMENSIONAL DRAWING



## INTISTARK WHITE COLOR LUMINAIRE CONNECTIONS DIAGRAM



## INTISTARK COLOR DYNAMIC LUMINAIRE CONNECTIONS DIAGRAM



# INTISTARK

## COMPATIBLE DEVICES & ACCESSORIES

LED IPCe controller  
Sens SR-2812-IN Black  
USB-ILCS converter

ILCS-DMX converter  
DMX(B1T2) splitter  
ILCS(U4) splitter

## MODEL RANGES

WATTAGE, W	LUMINOUS FLUX, LM	OPTICS, DEGREE	COLOUR	CODE
<b>300x220x71 MM, 5,5 KG</b>				
19	670	10a30	Red	IMF24-1R-10a30H
19	710	10x50	Red	IMF24-1R-10x50H
19	750	30	Red	IMF24-1R-30H
19	750	80	Red	IMF24-1R-80H
19	760	10	Red	IMF24-1R-10H
19	760	60	Red	IMF24-1G-60H
26,5	590	10a30	Blue	IMF24-1B-10a30H
26,5	630	10x50	Blue	IMF24-1B-10x50H
26,5	670	30	Blue	IMF24-1B-30H
26,5	670	60	Blue	IMF24-1B-60H
26,5	670	10	Blue	IMF24-1B-10H
26,5	670	80	Blue	IMF24-1B-80H
26,5	1250	10a30	Amber	IMF24-1A-10a30H
26,5	1300	10x50	Amber	IMF24-1A-10x50H
26,5	1400	10	Amber	IMF24-1A-10H
26,5	1400	30	Amber	IMF24-1A-30H
26,5	1400	60	Amber	IMF24-1A-60H
26,5	1400	80	Amber	IMF24-1A-80H
27	1400	10a30	Green	IMF24-1G-10a30H
27	1500	10x50	Green	IMF24-1G-10x50H
27	1600	10	Green	IMF24-1G-10H
27	1550	30	Green	IMF24-1G-30H
27	1550	80	Green	IMF24-1G-80H
27	1600	60	Green	IMF24-1G-60H
25	2050	10a30	3000 K	IMF24-1W30-10a30H
25	2250	10	3000 K	IMF24-1W30-10H
25	2100	10x50	3000 K	IMF24-1W30-10x50H
25	2200	30	3000 K	IMF24-1W30-30H
25	2200	60	3000 K	IMF24-1W30-60H
25	2300	80	3000 K	IMF24-1W30-80H

# INTISTARK

WATTAGE, W	LUMINOUS FLUX, LM	OPTICS, DEGREE	COLOUR	CODE
<b>300x220x71 MM, 5,5 KG</b>				
25	2200	10a30	4000 K	IMF24-1W40-10a30H
25	2350	10	4000 K	IMF24-1W40-10H
25	2200	10x50	4000 K	IMF24-1W40-10x50H
25	2300	30	4000 K	IMF24-1W40-30H
25	2300	60	4000 K	IMF24-1W40-60H
25	2450	80	4000 K	IMF24-1W40-80H
25	2150	10a30	5000 K	IMF24-1W50-10a30H
25	2350	10	5000 K	IMF24-1W50-10H
25	2200	10x50	5000 K	IMF24-1W50-10x50H
25	2300	30	5000 K	IMF24-1W50-30H
25	2300	60	5000 K	IMF24-1W50-60H
25	2450	80	5000 K	IMF24-1W50-80H
<b>300x220x71 MM, 6,5 KG</b>				
43	1250	10a30	Red	IMF24-2R-10a30H
43	1300	10x50	Red	IMF24-2R-10x50H
43	1400	10	Red	IMF24-2R-10H
43	1400	60	Red	IMF24-2G-60H
43	1400	80	Red	IMF24-2R-80H
43	1400	30	Red	IMF24-2R-30H
55	2150	10a30	Amber	IMF24-2A-10a30H
56	1000	10a30	Blue	IMF24-2B-10a30H
56	1050	10x50	Blue	IMF24-2B-10x50H
56	1100	10	Blue	IMF24-2B-10H
56	1100	30	Blue	IMF24-2B-30H
56	1100	60	Blue	IMF24-2B-60H
56	1100	80	Blue	IMF24-2B-80H
56	1050	10x50	Amber	IMF24-2A-10x50H
56	1100	10	Amber	IMF24-2A-10H
56	1100	30	Amber	IMF24-2A-30H
56	1100	60	Amber	IMF24-2A-60H
56	1100	80	Amber	IMF24-2A-80H
58	2100	10a30	Green	IMF24-2G-10a30H
58	2250	10x50	Green	IMF24-2G-10x50H
58	2350	30	Green	IMF24-2G-30H
58	2350	80	Green	IMF24-2G-80H
58	2400	10	Green	IMF24-2G-10H
58	2400	60	Green	IMF24-2G-60H
64	1850	10a30	Red	IMF36-2R-10a30H
64	2000	10x50	Red	IMF36-2R-10x50H
64	2100	10	Red	IMF36-2R-10H

# INTISTARK

WATTAGE, W	LUMINOUS FLUX, LM	OPTICS, DEGREE	COLOUR	CODE
<b>300x220x71 MM, 6,5 KG</b>				
64	2100	30	Red	IMF36-2R-30H
64	2100	60	Red	IMF36-2R-60H
64	2100	80	Red	IMF36-2R-80H
83	3250	10a30	Amber	IMF36-2A-10a30H
83	3450	10x50	Amber	IMF36-2A-10x50H
83	3650	10	Amber	IMF36-2A-10H
83	3650	30	Amber	IMF36-2A-30H
83	3650	60	Amber	IMF36-2A-60H
83	3650	80	Amber	IMF36-2A-80H
84	1500	10a30	Blue	IMF36-2B-10a30H
84	1600	10x50	Blue	IMF36-2B-10x50H
84	1650	30	Blue	IMF36-2B-30H
84	1650	80	Blue	IMF36-2B-80H
84	1700	10	Blue	IMF36-2B-10H
84	1700	60	Blue	IMF36-2B-60H
87	3150	10a30	Green	IMF36-2G-10a30H
87	3350	10x50	Green	IMF36-2G-10x50H
87	3550	30	Green	IMF36-2G-30H
87	3550	80	Green	IMF36-2G-80H
87	3600	10	Green	IMF36-2G-10H
87	3600	60	Green	IMF36-2G-60H
54	3900	10a30	3000 K	IMF24-2W30-10a30H
54	4200	10	3000 K	IMF24-2W30-10H
54	3900	10x50	3000 K	IMF24-2W30-10x50H
54	4100	30	3000 K	IMF24-2W30-30H
54	4100	60	3000 K	IMF24-2W30-60H
54	4350	80	3000 K	IMF24-2W30-80H
54	4100	10a30	4000 K	IMF24-2W40-10a30H
54	4400	10	4000 K	IMF24-2W40-10H
54	4100	10x50	4000 K	IMF24-2W40-10x50H
54	4300	30	4000 K	IMF24-2W40-30H
54	4300	60	4000 K	IMF24-2W40-60H
54	4550	80	4000 K	IMF24-2W40-80H
54	4050	10a30	5000 K	IMF24-2W50-10a30H
54	4400	10	5000 K	IMF24-2W50-10H
54	4100	10x50	5000 K	IMF24-2W50-10x50H
54	4300	30	5000 K	IMF24-2W50-30H
54	4300	60	5000 K	IMF24-2W50-60H
54	4550	80	5000 K	IMF24-2W50-80H
80	5800	10a30	3000 K	IMF36-2W30-10a30H
80	5850	10x50	3000 K	IMF36-2W30-10x50H
80	6150	30	3000 K	IMF36-2W30-30H

# INTISTARK

WATTAGE, W	LUMINOUS FLUX, LM	OPTICS, DEGREE	COLOUR	CODE
80	6150	60	3000 K	IMF36-2W30-60H
80	6300	10	3000 K	IMF36-2W30-10H
80	6500	80	3000 K	IMF36-2W30-80H
80	6100	10a30	4000 K	IMF36-2W40-10a30H
80	6150	10x50	4000 K	IMF36-2W40-10x50H
80	6600	10	4000 K	IMF36-2W40-10H
80	6450	30	4000 K	IMF36-2W40-30H
80	6450	60	4000 K	IMF36-2W40-60H
80	6850	80	4000 K	IMF36-2W40-80H
80	6100	10a30	5000 K	IMF36-2W50-10a30H
80	6600	10	5000 K	IMF36-2W50-10H
80	6150	10x50	5000 K	IMF36-2W50-10x50H
80	6450	30	5000 K	IMF36-2W50-30H
80	6450	60	5000 K	IMF36-2W50-60H
80	6800	80	5000 K	IMF36-2W50-80H
41	1300	10a30	RGB	IMF36-1RGB-10a30CH
41	1550	10	RGB	IMF36-1RGB-10CH
41	1450	10x50	RGB	IMF36-1RGB-10x50CH
41	1500	30	RGB	IMF36-1RGB-30CH
41	1550	60	RGB	IMF36-1RGB-60CH
41	1500	80	RGB	IMF36-1RGB-80CH
68	1850	10a30	RGB	IMF36-2RGB-10a30CH
68	2000	10x50	RGB	IMF36-2RGB-10x50CH
68	2100	10	RGB	IMF36-2RGB-10CH
68	2100	30	RGB	IMF36-2RGB-30CH
68	2100	60	RGB	IMF36-2RGB-60CH
68	2100	80	RGB	IMF36-2RGB-80CH
93	3550	10a30	RGBW	IMF49-2RGBW30-10a30CH
93	3950	10	RGBW	IMF49-2RGBW30-10CH
93	3700	10x50	RGBW	IMF49-2RGBW30-10x50CH
93	3900	30	RGBW	IMF49-2RGBW30-30CH
93	3900	60	RGBW	IMF49-2RGBW30-60CH
93	4000	80	RGBW	IMF49-2RGBW30-80CH
93	3600	10a30	RGBW	IMF49-2RGBW40-10a30CH
93	4050	10	RGBW	IMF49-2RGBW40-10CH
93	3800	10x50	RGBW	IMF49-2RGBW40-10x50CH
93	4000	30	RGBW	IMF49-2RGBW40-30CH
93	4000	60	RGBW	IMF49-2RGBW40-60CH
93	4100	80	RGBW	IMF49-2RGBW40-80CH
93	3600	10a30	RGBW	IMF49-2RGBW50-10a30CH
93	3800	10x50	RGBW	IMF49-2RGBW50-10x50CH
93	4000	10	RGBW	IMF49-2RGBW50-10CH

# INTISTARK

WATTAGE, W	LUMINOUS FLUX, LM	OPTICS, DEGREE	COLOUR	CODE
<b>300x220x71 MM, 6,5 KG</b>				
93	4000	30	RGBW	IMF49-2RGBW50-30CH
93	4000	60	RGBW	IMF49-2RGBW50-60CH
93	4100	80	RGBW	IMF49-2RGBW50-80CH
<b>516x220x71 MM, 9,5 KG</b>				
125	3750	10a30	Red	IMF72-2R-10a30H
125	4000	10x50	Red	IMF72-2R-10x50H
125	4200	30	Red	IMF72-2R-30H
125	4200	80	Red	IMF72-2R-80H
125	4250	10	Red	IMF72-2R-10H
125	4250	60	Red	IMF72-2G-60H
165	3000	10a30	Blue	IMF72-2B-10a30H
165	3200	10x50	Blue	IMF72-2B-10x50H
165	3350	30	Blue	IMF72-2B-30H
165	3350	80	Blue	IMF72-2B-80H
165	3400	60	Blue	IMF72-2B-60H
165	3400	10	Blue	IMF72-2B-10H
165	6500	10a30	Amber	IMF72-2A-10a30H
165	6900	10x50	Amber	IMF72-2A-10x50H
165	7300	30	Amber	IMF72-2A-30H
165	7300	60	Amber	IMF72-2A-60H
165	7300	80	Amber	IMF72-2A-80H
165	7300	10	Amber	IMF71-2A-10H
175	6300	10a30	Green	IMF72-2G-10a30H
175	6700	10x50	Green	IMF72-2G-10x50H
175	7100	30	Green	IMF72-2G-30H
175	7100	80	Green	IMF72-2G-80H
175	7200	60	Green	IMF72-2G-60H
175	7200	10	Green	IMF72-2G-10H
161	11500	10a30	3000 K	IMF72-2W30-10a30H
161	12550	10	3000 K	IMF72-2W30-10H
161	11700	10x50	3000 K	IMF72-2W30-10x50H
161	12300	30	3000 K	IMF72-2W30-30H
161	12300	60	3000 K	IMF72-2W30-60H
161	13000	80	3000 K	IMF72-2W30-80H
161	12000	10a30	4000 K	IMF72-2W40-10a30H
161	13250	10	4000 K	IMF72-2W40-10H
161	12350	10x50	4000 K	IMF72-2W40-10x50H
161	12950	30	4000 K	IMF72-2W40-30H
161	12950	60	4000 K	IMF72-2W40-60H
161	13700	80	4000 K	IMF72-2W40-80H

# INTISTARK

WATTAGE, W	LUMINOUS FLUX, LM	OPTICS, DEGREE	COLOUR	CODE
161	12000	10a30	5000 K	IMF72-2W50-10a30H
161	13200	10	5000 K	IMF72-2W50-10H
161	12300	10x50	5000 K	IMF72-2W50-10x50H
161	12900	30	5000 K	IMF72-2W50-30H
161	12900	60	5000 K	IMF72-2W50-60H
161	13650	80	5000 K	IMF72-2W50-80H
136	4250	10	RGB	IMF72-2RGB-10CH
136	3950	10x50	RGB	IMF72-2RGB-10x50CH
136	4200	30	RGB	IMF72-2RGB-30CH
136	4250	60	RGB	IMF72-2RGB-60CH
136	4200	80	RGB	IMF72-2RGB-80CH
186	7050	60	RGBW	IMF98-2RGBW40-60CH
186	7100	10a30	RGBW	IMF98-2RGBW30-10a30CH
186	7200	10a30	RGBW	IMF98-2RGBW40-10a30CH
186	7200	10a30	RGBW	IMF98-2RGBW50-10a30CH
186	7400	10x50	RGBW	IMF98-2RGBW30-10x50CH
186	7550	10x50	RGBW	IMF98-2RGBW40-10x50CH
186	7550	10x50	RGBW	IMF98-2RGBW50-10x50CH
186	7800	30	RGBW	IMF98-2RGBW30-30CH
186	7850	60	RGBW	IMF98-2RGBW30-60CH
186	7950	10	RGBW	IMF98-2RGBW30-10CH
186	7950	30	RGBW	IMF98-2RGBW50-30CH
186	8000	30	RGBW	IMF98-2RGBW40-30CH
186	8000	80	RGBW	IMF98-2RGBW30-80CH
186	8000	60	RGBW	IMF98-2RGBW50-60CH
186	8100	10	RGBW	IMF98-2RGBW50-10CH
186	8150	10	RGBW	IMF98-2RGBW40-10CH
186	8200	80	RGBW	IMF98-2RGBW40-80CH
186	8200	80	RGBW	IMF98-2RGBW50-80CH



# RAY

Smart design in basic mid-power projector:  
maximum functionality placed into minimal dimensions

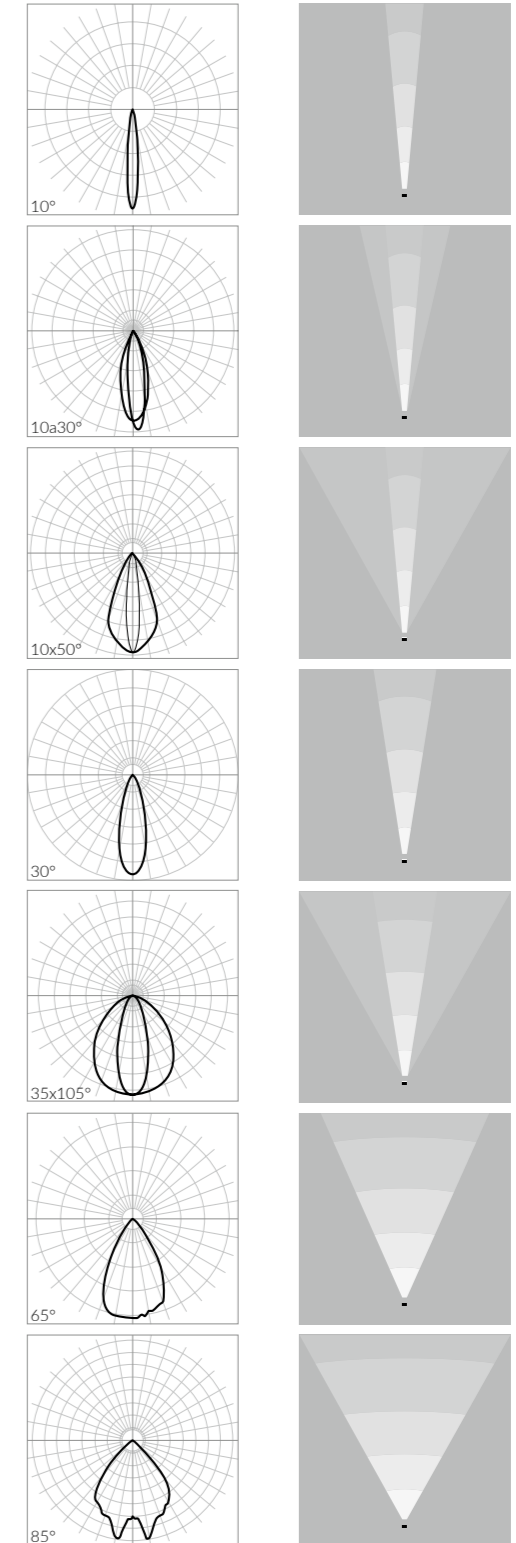


# RAY

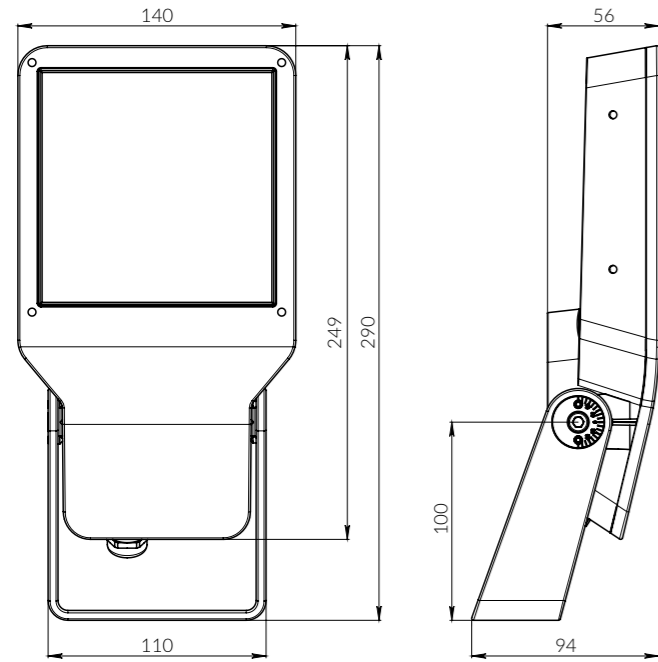
## TECHNICAL CHARACTERISTICS

- Light source:**  
Nichia (Japan), Cree (USA) LEDs
- Light color:**  
white (3000K, 4000K, 5000K), red, green, blue, amber, RGBW
- Optics:**  
10°, 10a30°, 10x50°, 30°, 35x105°, 65°, 85°
- Luminous flux:**  
395-1900 lm
- CRI:**  
≥80
- Power factor Cos φ:**  
>0,9
- Wattage:**  
17-26 W
- Voltage:**  
90-264 V AC
- Protection class:**  
IP65
- Operating temperature:**  
tropical edition: -40°C ... +55°C  
standard edition: -40°C ... +45°C
- Lifespan:**  
not less than 50 000 hours
- Control:**  
DMX-512, DMX-512 + RDM
- Dimensions:**  
290x140x94 mm (with bracket)
- Weight:**  
2 kg
- Materials:**  
housing, brackets: aluminum alloy; silicate tempered glass
- Mounting:**  
on an adjustable bracket, with the scale for precise installation and Nord-Lock fixing system
- Accessories:**  
shield, outer louver
- Customization:**  
diffuser glass; internal honeycomb louvre; customized LEDs color combinations; housing and accessories painting in any RAL color; IP68 connectors; control/power cables of any length up to 3 m
- Contents of delivery:**  
luminaire, bracket, passport, package

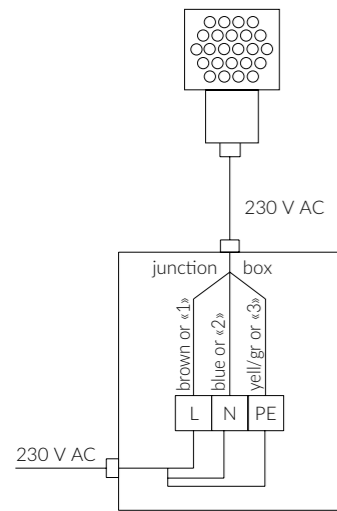
## LIGHTING EFFECTS



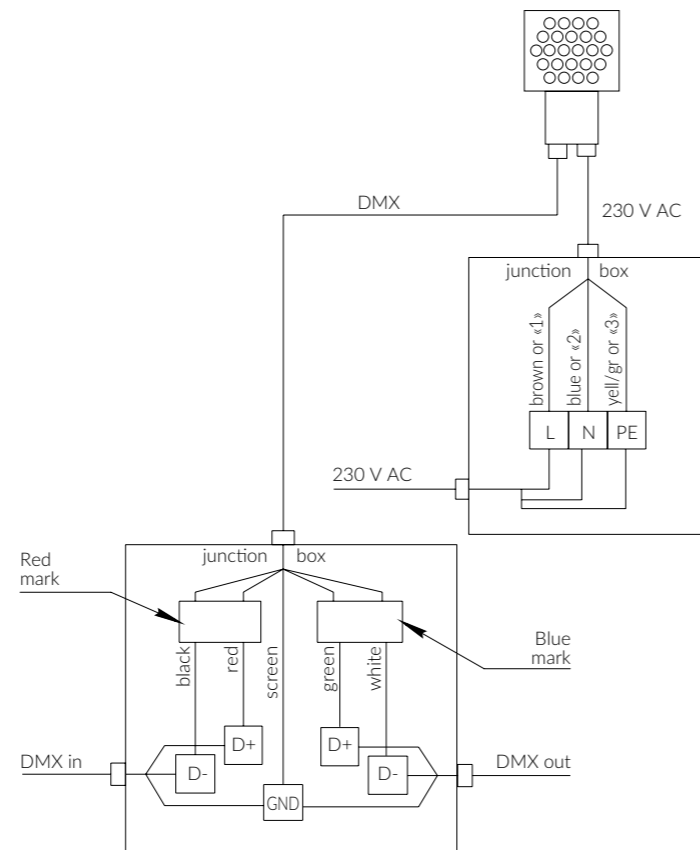
## DIMENSIONAL DRAWING



## RAY WHITE COLOR LUMINAIRE CONNECTIONS DIAGRAM



## RAY COLOR DYNAMIC LUMINAIRE CONNECTIONS DIAGRAM



## COMPATIBLE DEVICES & ACCESSORIES

- LED IPCe controller
- Sens SR-2812-IN Black
- USB-ILCS converter
- ILCS-DMX converter
- DMX(B1T2) splitter
- ILCS(U4) splitter

## MODEL RANGES

WATTAGE, W	LUMINOUS FLUX, LM	OPTICS, DEGREE	COLOUR	CODE
<b>250x140x60 MM, 2 KG</b>				
22	590	30	RGBA	IMF20-1RGBA-30RH(311)
22	690	65	RGBA	IMF20-1RGBA-65RH(411)
22	720	85	RGBA	IMF20-1RGBA-85RH(411)
22	760	10a30	RGBA	IMF20-1RGBA-10a30RH(111)
22	760	35x105	RGBA	IMF20-1RGBA-35x105RH(411)
22	830	10	RGBA	IMF20-1RGBA-10RH(311)
22	850	10x50	RGBA	IMF20-1RGBA-10x50RH(311)
22	1100	10	RGBA	IMF20-1RGBA-10RH(111)
22	1100	30	RGBA	IMF20-1RGBA-30RH(111)
22	630	30	RGBW	IMF20-1RGBW30-30RH(311)
22	650	30	RGBW	IMF20-1RGBW40-30RH(311)
22	730	65	RGBW	IMF20-1RGBW30-65RH(411)
22	760	65	RGBW	IMF20-1RGBW40-65RH(411)
22	770	85	RGBW	IMF20-1RGBW30-85RH(411)
22	800	85	RGBW	IMF20-1RGBW40-85RH(411)
22	810	10a30	RGBW	IMF20-1RGBW30-10a30RH(111)
22	810	35x105	RGBW	IMF20-1RGBW30-35x105RH(411)
22	840	10a30	RGBW	IMF20-1RGBW40-10a30RH(111)
22	840	35x105	RGBW	IMF20-1RGBW40-35x105RH(411)
22	890	10	RGBW	IMF20-1RGBW30-10RH(311)
22	900	10x50	RGBW	IMF20-1RGBW30-10x50RH(311)
22	920	10	RGBW	IMF20-1RGBW40-10RH(311)
22	930	10x50	RGBW	IMF20-1RGBW40-10x50RH(311)
22	1150	10	RGBW	IMF20-1RGBW30-10RH(111)
22	1150	30	RGBW	IMF20-1RGBW30-30RH(111)
22	1200	10	RGBW	IMF20-1RGBW40-10RH(111)
22	1200	30	RGBW	IMF20-1RGBW40-30RH(111)
23,5	650	30	RGBW	IMF20-1RGBW50-30RH(311)
23,5	760	65	RGBW	IMF20-1RGBW50-65RH(411)
23,5	800	85	RGBW	IMF20-1RGBW50-85RH(411)

250x140x60 MM, 2 KG →

WATTAGE, W	LUMINOUS FLUX, LM	OPTICS, DEGREE	COLOUR	CODE
<b>250x140x60 MM, 2 KG</b>				
23,5	840	10a30	RGBW	IMF20-1RGBW50-10a30RH(111)
23,5	840	35x105	RGBW	IMF20-1RGBW50-35x105RH(411)
23,5	920	10	RGBW	IMF20-1RGBW50-10RH(311)
23,5	930	10x50	RGBW	IMF20-1RGBW50-10x50RH(311)
23,5	1200	10	RGBW	IMF20-1RGBW50-10RH(111)
23,5	1200	30	RGBW	IMF20-1RGBW50-30RH(111)
17	830	30	Amber	IMF20-1A-30H(311)
17	960	65	Amber	IMF20-1A-65H(411)
17	1000	85	Amber	IMF20-1A-85H(411)
17	1050	10a30	Amber	IMF20-1A-10a30H(111)
17	1050	35x105	Amber	IMF20-1A-35x105H(411)
17	1150	10	Amber	IMF20-1A-10H(311)
17	1150	10x50	Amber	IMF20-1A-10x50H(311)
17	1550	10	Amber	IMF20-1A-10H(111)
17	1550	30	Amber	IMF20-1A-30H(111)
23,5	320	30	Blue	IMF20-1B-30H(311)
23,5	375	65	Blue	IMF20-1B-65H(411)
23,5	395	85	Blue	IMF20-1B-85H(411)
23,5	415	10a30	Blue	IMF20-1B-10a30H(111)
23,5	415	35x105	Blue	IMF20-1B-35x105H(411)
23,5	455	10	Blue	IMF20-1B-10H(311)
23,5	460	10x50	Blue	IMF20-1B-10x50H(311)
23,5	610	10	Blue	IMF20-1B-10H(111)
23,5	600	30	Blue	IMF20-1B-30H(111)
23,5	940	30	Green	IMF20-1G-30H(311)
23,5	1100	65	Green	IMF20-1G-65H(411)
23,5	1150	85	Green	IMF20-1G-85H(411)
23,5	1200	10a30	Green	IMF20-1G-10a30H(111)
23,5	1200	35x105	Green	IMF20-1G-35x105H(411)
23,5	1300	10	Green	IMF20-1G-10H(311)
23,5	1350	10x50	Green	IMF20-1G-10x50H(311)
23,5	1750	30	Green	IMF20-1G-30H(111)
23,5	1800	10	Green	IMF20-1G-10H(111)
26	600	30	Red	IMF20-1R-30H(311)
26	700	65	Red	IMF20-1R-65H(411)
26	740	85	Red	IMF20-1R-85H(411)
26	780	10a30	Red	IMF20-1R-10a30H(111)
26	780	35x105	Red	IMF20-1R-35x105H(411)
26	850	10	Red	IMF20-1R-10H(311)

WATTAGE, W	LUMINOUS FLUX, LM	OPTICS, DEGREE	COLOUR	CODE
26	860	10x50	Red	IMF20-1R-10x50H(311)
26	1100	30	Red	IMF20-1R-30H(111)
26	1150	10	Red	IMF20-1R-10H(111)
26	990	30	3000 K	IMF20-1W30-30H(311)
26	1150	65	3000 K	IMF20-1W30-65H(411)
26	1200	85	3000 K	IMF20-1W30-85H(411)
26	1250	10a30	3000 K	IMF20-1W30-10a30H(111)
26	1250	35x105	3000 K	IMF20-1W30-35x105H(411)
26	1400	10	3000 K	IMF20-1W30-10H(311)
26	1400	10x50	3000 K	IMF20-1W30-10x50H(311)
26	1750	10	3000 K	IMF20-1W30-10H(111)
26	1750	30	3000 K	IMF20-1W30-30H(111)
26	1050	30	4000 K	IMF20-1W40-30H(311)
26	1250	65	4000 K	IMF20-1W40-65H(411)
26	1300	85	4000 K	IMF20-1W40-85H(411)
26	1350	10a30	4000 K	IMF20-1W40-10a30H(111)
26	1350	35x105	4000 K	IMF20-1W40-35x105H(411)
26	1500	10	4000 K	IMF20-1W40-10H(311)
26	1500	10x50	4000 K	IMF20-1W40-10x50H(311)
26	1900	10	4000 K	IMF20-1W40-10H(111)
26	1900	30	4000 K	IMF20-1W40-30H(111)
26	1050	30	5000 K	IMF20-1W50-30H(311)
26	1250	65	5000 K	IMF20-1W50-65H(411)
26	1300	85	5000 K	IMF20-1W50-85H(411)
26	1350	10a30	5000 K	IMF20-1W50-10a30H(111)
26	1350	35x105	5000 K	IMF20-1W50-35x105H(411)
26	1500	10	5000 K	IMF20-1W50-10H(311)
26	1500	10x50	5000 K	IMF20-1W50-10x50H(311)
26	1900	10	5000 K	IMF20-1W50-10H(111)
26	1900	30	5000 K	IMF20-1W50-30H(111)

# INTIBEAM

An ergonomic luminaire intended for creating narrow and bold 5-degree light beam. It can be used for vertical lighting of narrow and extended elements of the facade as well as floodlighting of distanced objects and structures

CE EAC  IP66 

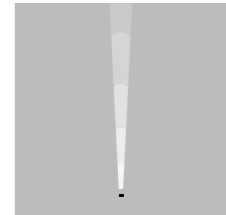
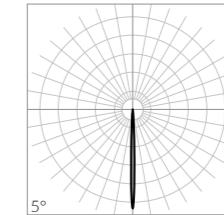


# INTIBEAM

## TECHNICAL CHARACTERISTICS

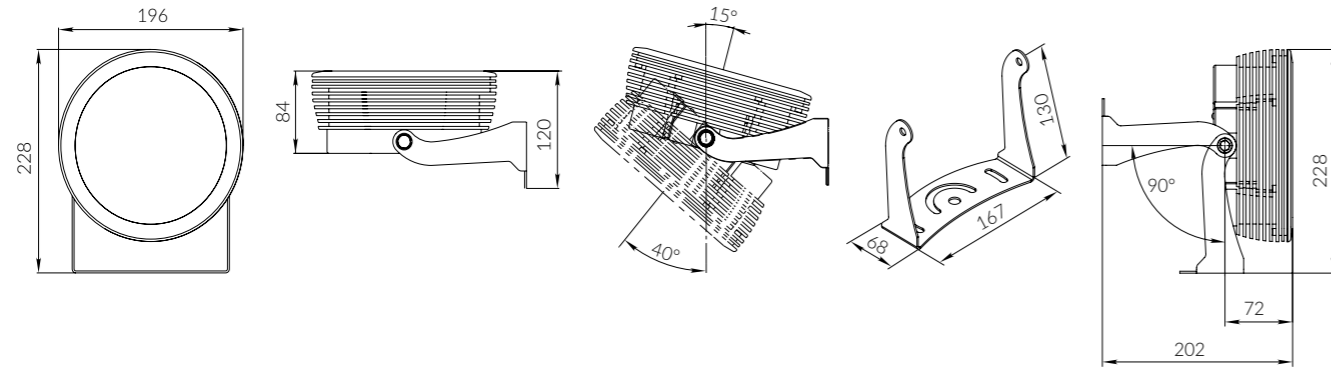
- Light source:**  
Nichia (Japan) LEDs
- Light color:**  
white (3000 K, 4000 K, 5000 K), red, green, blue, amber
- Optics:**  
5°
- Luminous flux:**  
500–2450 lm
- CRI:**  
≥80
- Wattage:**  
21,5–31 W
- Voltage:**  
90–264 V AC
- Protection class:**  
IP66
- Operating temperature:**  
tropical edition: -40°C ... +55°C  
standard edition: -40°C ... +45°C
- Lifespan:**  
not less than 50 000 hours
- Control:**  
not available
- Dimensions:**  
196x196x84 mm
- Weight:**  
4 kg
- Materials:**  
housing: aluminum, covered with powder paint; protective glass: shock-resistant polycarbonate; mounting arms: zinc-plated steel covered with powder paint to fit the housing color; mounts: stainless steel
- Mounting:**  
on an adjustable bracket
- Accessories:**  
shield
- Customization:**  
customized LEDs color combinations; power cables of any length; housing and accessories painting in any RAL color; production of customized accessories; IP68 connectors
- Contents of delivery:**  
luminaire, bracket, passport, package

## LIGHTING EFFECTS

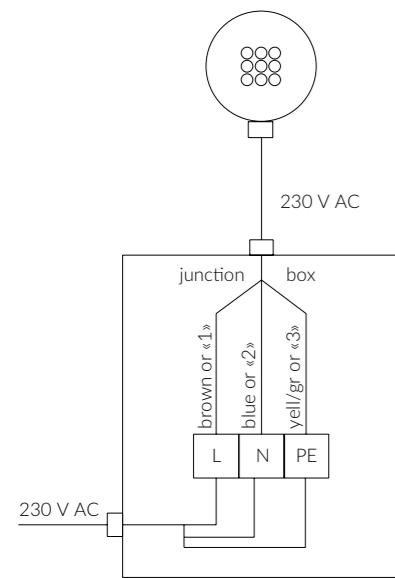


# INTIBEAM

## DIMENSIONAL DRAWING



## INTIBEAM LUMINAIRE CONNECTIONS DIAGRAM

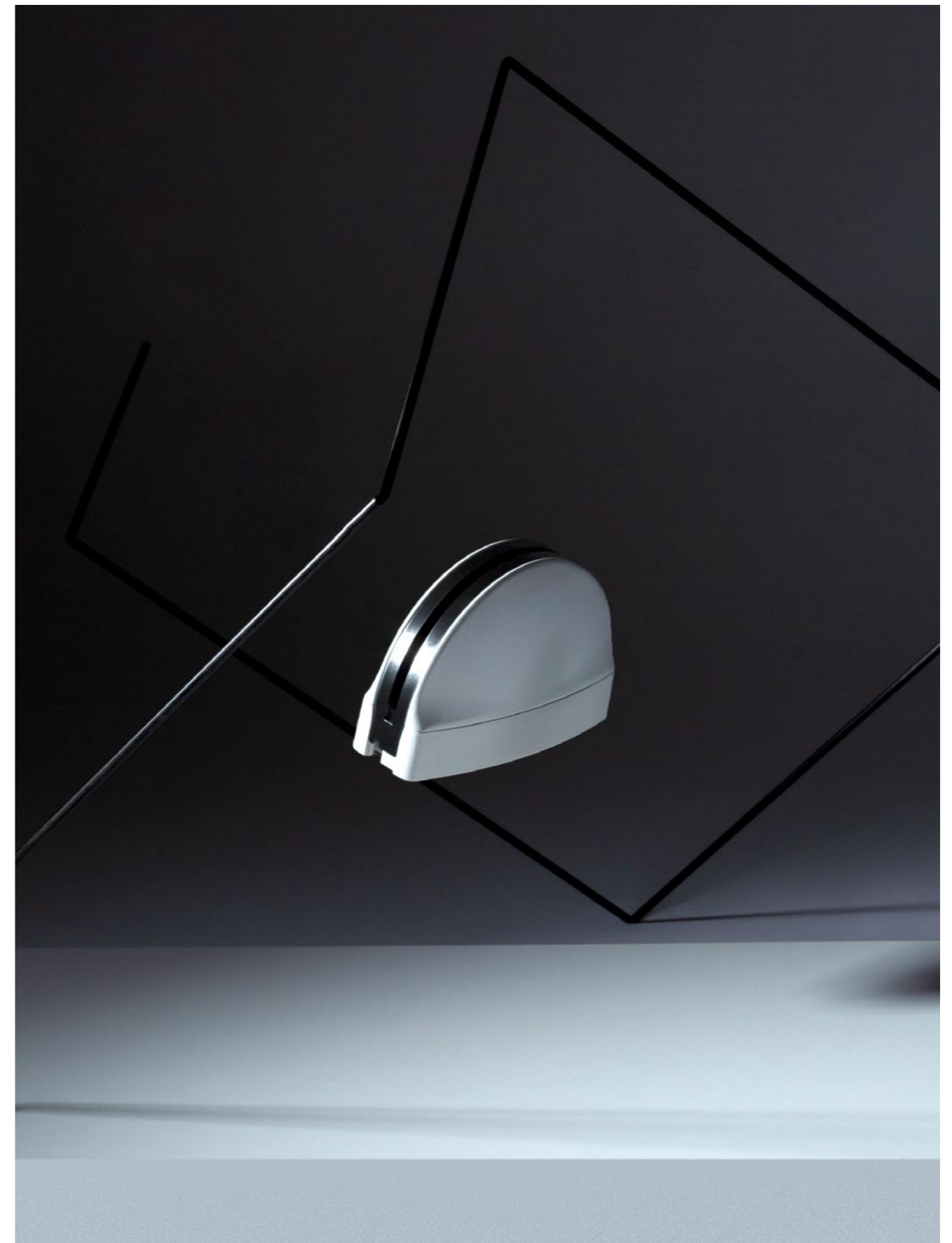


## MODEL RANGES

WATTAGE, W	LUMINOUS FLUX, LM	OPTICS, DEGREE	COLOUR	CODE
<b>196x196x84 MM, 4 KG</b>				
21,5	640	5	Red	IRF9-3R-5H
27	1050	5	Amber	IRF9-3A-5H
27,5	500	5	Blue	IRF9-3B-5H
28,5	1000	5	Green	IRF9-3G-5H
31	2350	5	3000 K	IRF9-3W30-5H
31	2450	5	4000 K	IRF9-3W40-5H
31	2450	5	5000 K	IRF9-3W50-5H

# EDGE

An elegant luminaire intended for creating perfect 3x180 degrees lighting effect

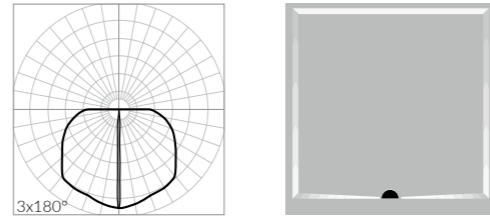


# EDGE

## TECHNICAL CHARACTERISTICS

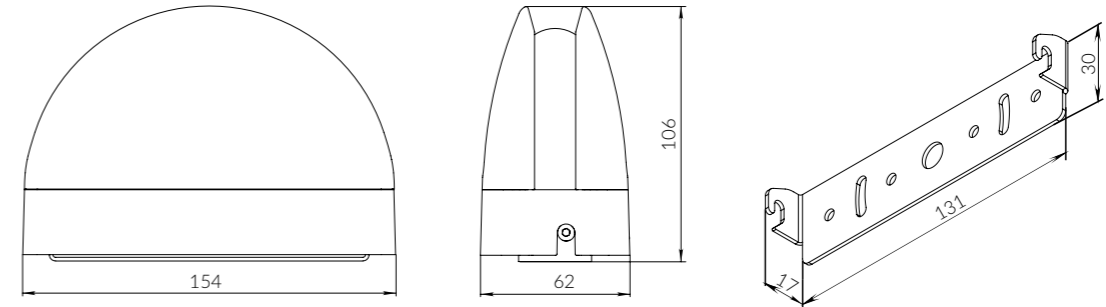
- Light source:**  
Nichia (Japan), Cree (USA) LEDs
- Light color:**  
white (3000 K, 4000 K, 5000 K), RGBW(4000 K)
- Optics:**  
3x180°
- Luminous flux:**  
20,5–60 lm
- CRI:**  
≥80
- Wattage:**  
6,8–7,5 W
- Voltage:**  
24 V DC
- Protection class:**  
IP65
- Operating temperature:**  
tropical edition: -40°C ... +55°C  
standard edition: -40°C ... +45°C
- Lifespan:**  
not less than 50 000 hours
- Control:**  
RGBW: DMX-512, DMX-512 + RDM
- Dimensions:**  
154x106x62 mm
- Weight:**  
0,8 kg
- Materials:**  
housing: cast aluminum covered with powder paint; mounting plate: stainless steel
- Mounting:**  
surface mounting on mounting plate; mounting on an adjustable bracket
- Customization:**  
customized LEDs color combinations; housing painting in any RAL color; IP68 connectors
- Contents of delivery:**  
luminaire, passport, package

## LIGHTING EFFECTS

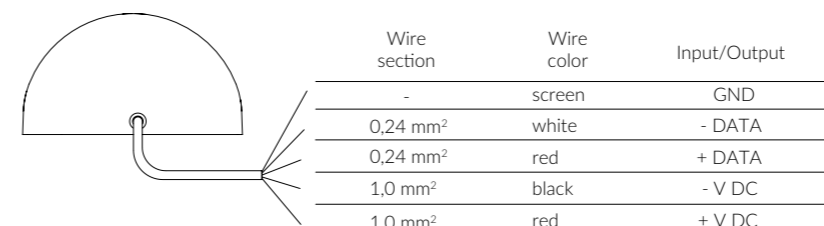
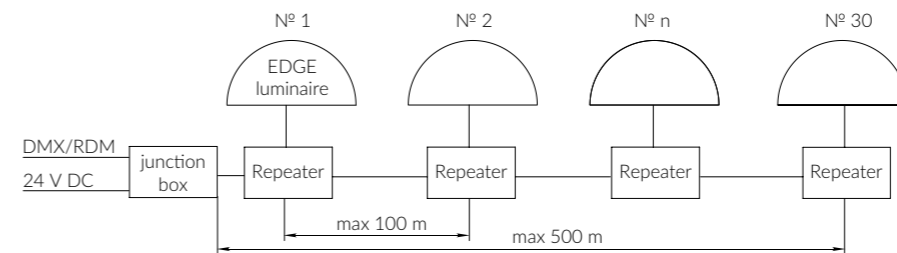
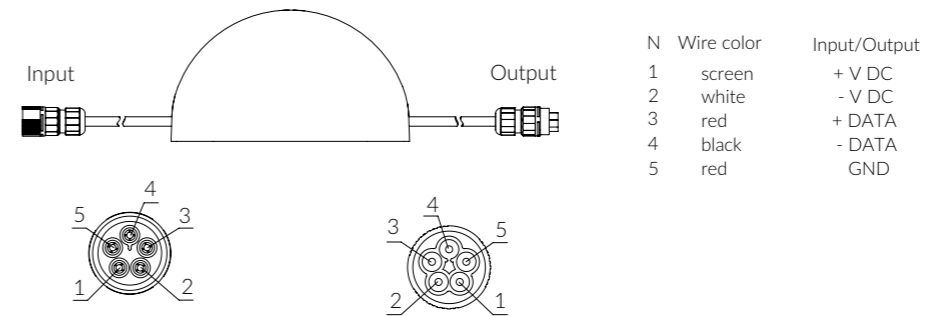
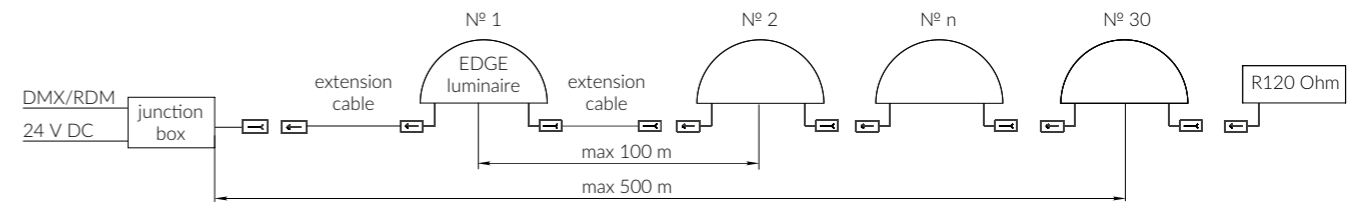


# EDGE

## DIMENSIONAL DRAWING



## EDGE LUMINAIRE CONNECTIONS DIAGRAM



# EDGE

## COMPATIBLE DEVICES & ACCESSORIES

LED IPCe controller  
Sens SR-2812-IN Black  
LED Dimmer  
USB-ILCS converter

ILCS-DMX converter  
DMX(B1T2) splitter  
ILCS(U4) splitter

## MODEL RANGES

WATTAGE, W	LUMINOUS FLUX, LM	OPTICS, DEGREE	COLOUR	CODE
<b>154x106x62 MM, 0,8 KG</b>				
6,8	43,5	3x180	RGBW	ILF12-2RGBW30-3x180RL24
6,8	43,5	3x180	RGBW	ILF12-2RGBW30-3x180CL24
6,8	44,5	3x180	RGBW	ILF12-2RGBW50-3x180RL24
6,8	44,5	3x180	RGBW	ILF12-2RGBW50-3x180CL24
6,8	44,5	3x180	RGBW	ILF12-2RGBW40-3x180RL24
6,8	44,5	3x180	RGBW	ILF12-2RGBW40-3x180CL24
7,2	56	3x180	3000 K	ILF6-2W30-3x180CL24
7,2	56	3x180	3000 K	ILF6-2W30-3x180RL24
7,2	60	3x180	4000 K	ILF6-2W40-3x180CL24
7,2	60	3x180	4000 K	ILF6-2W40-3x180RL24
7,2	60	3x180	5000 K	ILF6-2W50-3x180CL24
7,2	60	3x180	5000 K	ILF6-2W50-3x180RL24
7,3	20,5	3x180	Blue	ILF6-2B-3x180CL24
7,3	20,5	3x180	Blue	ILF6-2B-3x180RL24
7,3	37	3x180	Red	ILF6-2R-3x180CL24
7,3	37	3x180	Red	ILF6-2R-3x180RL24
7,3	38,5	3x180	Amber	ILF6-2A-3x180CL24
7,3	38,5	3x180	Amber	ILF6-2A-3x180RL24
7,5	43,5	3x180	Green	ILF6-2G-3x180CL24
7,5	43,5	3x180	Green	ILF6-2G-3x180RL24

# INTITWIN

Decorative wall bra for creating variable combinations of lighting effects on the facade: you can combine different optics and LED colors in upper and lower modules as well as adjust the angle of each module

CE ENEC IP66

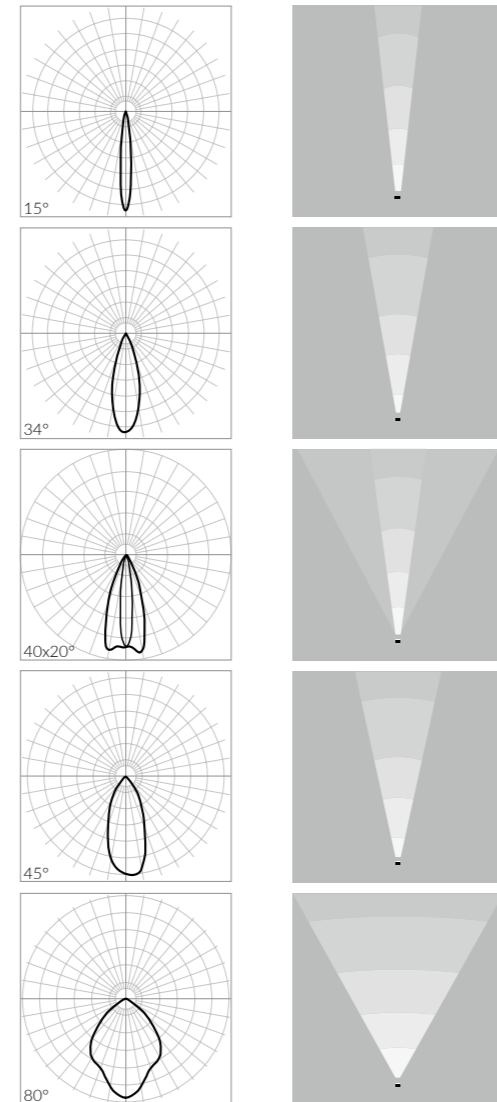


# INTITWIN

## TECHNICAL CHARACTERISTICS

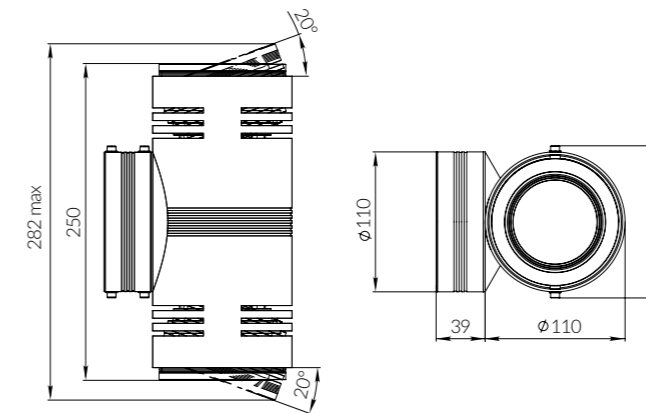
- Light source:**  
Nichia (Japan), Cree (USA) LEDs
- Light color:**  
white (3000 K, 4000 K, 5000 K), RGB
- Optics:**  
15°, 34°, 40x20°, 45°, 80°
- Luminous flux:**  
420-1200 lm (x 2)
- CRI:**  
≥80
- Wattage:**  
25, 27 W
- Voltage:**  
24 V DC
- Protection class:**  
IP66
- Operating temperature:**  
tropical edition: tropical edition: -40°C ... +55°C  
standard edition: -40°C ... +45°C
- Lifespan:**  
not less than 50 000 hours
- Control:**  
mono: PWM  
RGB: DMX-512
- Dimensions:**  
110x110x250 mm
- Weight:**  
2,8 kg
- Materials:**  
housing: aluminum alloy with galvanic coating; protective glass:  
shock-resistant polycarbonate; mounts: stainless steel
- Mounting:**  
on a bracket with all commutation inside
- Customization:**  
customized LEDs color combinations; power/control cables  
of any length; housing and accessories painting in any RAL color;  
production of customized accessories; IP68 connectors
- Contents of delivery:**  
luminaire, bracket, passport, package

## LIGHTING EFFECTS

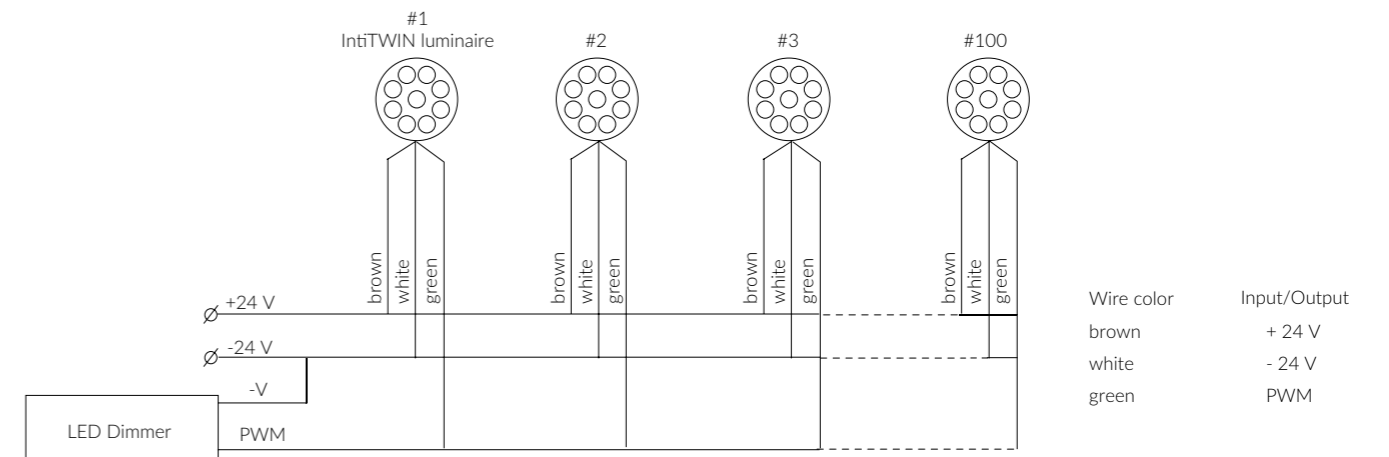


# INTITWIN

## DIMENSIONAL DRAWING

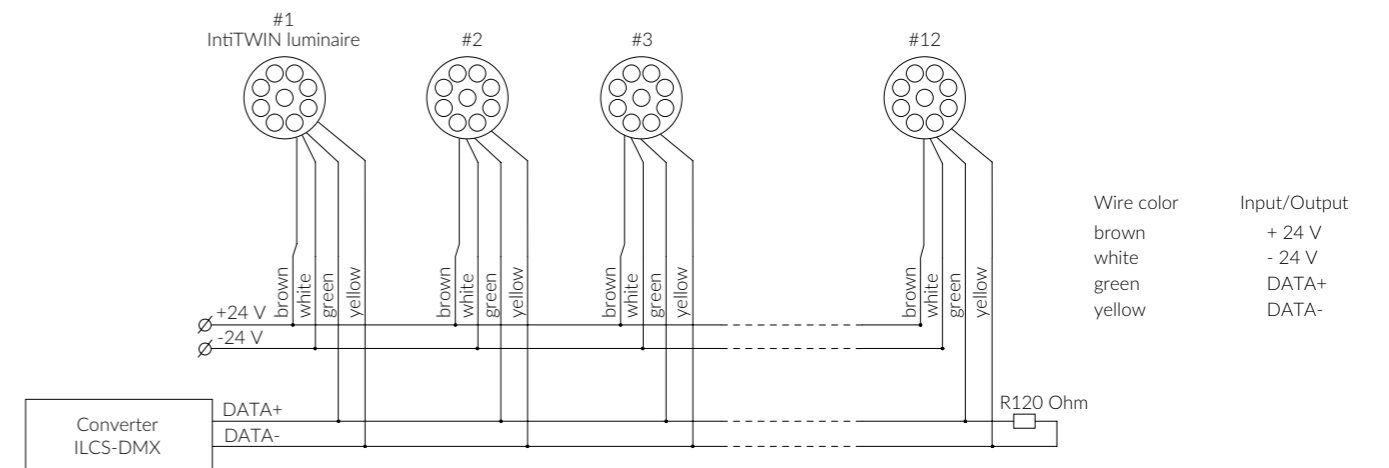


## INTITWIN WHITE COLOR LUMINAIRE CONNECTIONS DIAGRAM



NOTE. If the brightness control «PWM» is not used — green wire is not connected (isolated)

## INTITWIN COLOR DYNAMIC LUMINAIRE CONNECTIONS DIAGRAM





# INTITWIN

## COMPATIBLE DEVICES & ACCESSORIES

- LED IPCe controller
- Sens SR-2812-IN Black
- LED dimmer
- USB-ILCS converter
- ILCS-DMX converter
- DMX-DIM (DIMM) converter
- DMX(B1T2) splitter
- ILCS(U4) splitter
- DMX-DIM converter

## MODEL RANGES

WATTAGE, W	LUMINOUS FLUX, LM	OPTICS, DEGREE	COLOUR	CODE
<b>110x110x250 MM, 2,8 KG</b>				
25	2200	15	3000 K	IRF24-1W30-15DL24
25	2200	34	3000 K	IRF24-1W30-34DL24
25	2300	40x20	3000 K	IRF24-1W30-40x20DL24
25	2200	45	3000 K	IRF24-1W30-45DL24
25	1960	80	3000 K	IRF24-1W30-80DL24
25	2400	15	4000 K	IRF24-1W40-15DL24
25	2300	34	4000 K	IRF24-1W40-34DL24
25	2400	40x20	4000 K	IRF24-1W40-40x20DL24
25	2300	45	4000 K	IRF24-1W40-45DL24
25	2000	80	4000 K	IRF24-1W40-80DL24
25	2400	15	5000 K	IRF24-1W50-15DL24
25	2300	34	5000 K	IRF24-1W50-34DL24
25	2400	40x20	5000 K	IRF24-1W50-40x20DL24
25	2300	45	5000 K	IRF24-1W50-45DL24
25	2000	80	5000 K	IRF24-1W50-80DL24
27	980	15	RGB	IRF24-1RGB-15CL24(200)
27	950	34	RGB	IRF24-1RGB-34CL24(200)
27	980	40x20	RGB	IRF24-1RGB-40x20CL24(200)
27	960	45	RGB	IRF24-1RGB-45CL24(200)
27	840	80	RGB	IRF24-1RGB-80CL24(200)

Power module supply ordered separately

# INTITOP

Compact accent low-voltage luminaire with wide variety of light color and control versions

CE EAC IP66   DISCONTINUED



# INTITOP

## TECHNICAL CHARACTERISTICS

### Light source:

Nichia (Japan), Cree (USA) LEDs

### Light color:

white (3000 K, 4000 K, 5000 K), RGB

### Optics:

15°, 34°, 40x20°, 45°, 80°

### Luminous flux:

420-1200 lm

### Wattage:

12,5-13,5 W

### Voltage:

24 V DC

### Protection class:

IP66

### Operating temperature:

tropical edition: up to +55°C

standard edition: from -40°C up to +45°C

### Lifespan:

not less than 50 000 hours

### Control:

available via PWM, DMX-512

### Materials:

housing: aluminum alloy with galvanic coating; protective glass: shock-resistant polycarbonate; mounting arms: zink chrome-plated steel covered with powder paint to fit the luminaire color; mounts: stainless steel

### Dimensions:

138x138x62 mm

### Weight:

0,7 kg

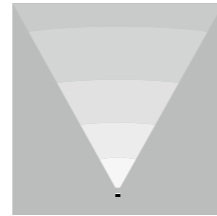
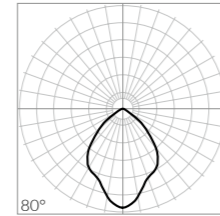
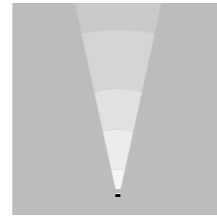
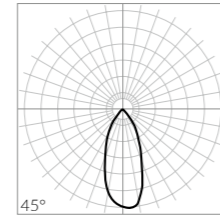
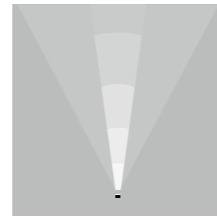
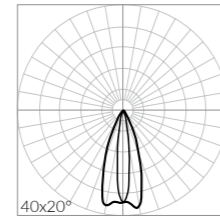
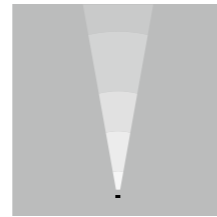
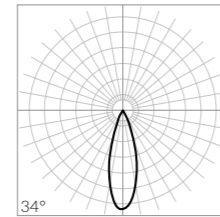
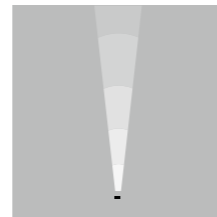
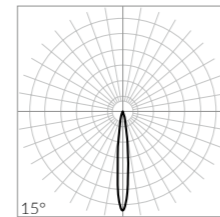
### Customization:

customized LEDs color combinations; housing and accessories painting in any RAL color; production of customized accessories; IP68 connectors

### Mounting:

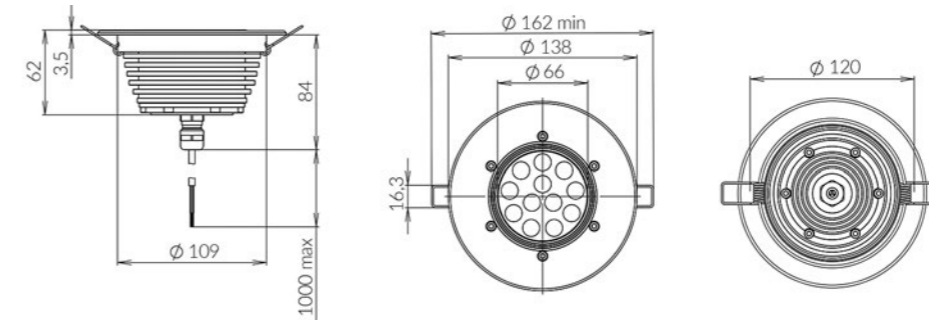
on an adjustable bracket

## LIGHTING EFFECTS

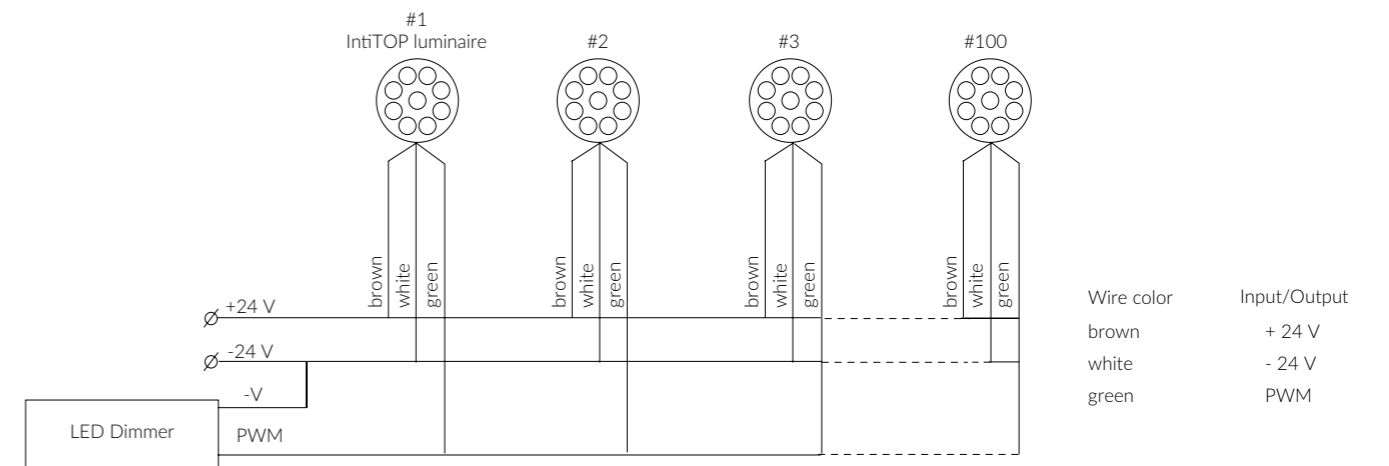


# INTITOP

## DIMENSIONAL DRAWING

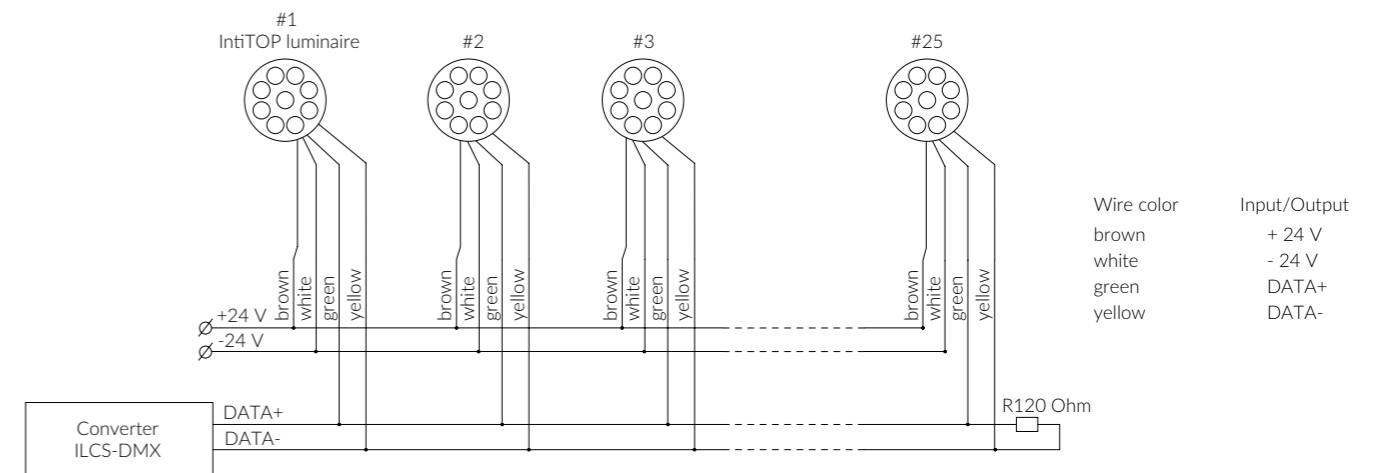


## INTITOP WHITE COLOR LUMINAIRE CONNECTIONS DIAGRAM



NOTE: If the brightness control «PWM» is not used – green wire is not connected (isolated)

## INTITOP COLOR DYNAMIC LUMINAIRE CONNECTIONS DIAGRAM



# INTITOP

## COMPATIBLE DEVICES & ACCESSORIES

LED IPCe controller  
Sens SR-2812-IN Black  
LED dimmer  
USB-ILCS converter  
ILCS-DMX converter

DMX-DIM (DIMM) converter  
DMX(B1T2) splitter  
ILCS(U4) splitter  
DMX-DIM converter

## MODEL RANGES

WATTAGE, W	LUMINOUS FLUX, LM	OPTICS, DEGREE	COLOUR	CODE
<b>138x138x62 MM, 0,7 KG</b>				
12,5	1100	15	3000 K	IRB12-1W30-15DL24
12,5	1100	34	3000 K	IRB12-1W30-34DL24
12,5	1150	40x20	3000 K	IRB12-1W30-40x20DL24
12,5	1100	45	3000 K	IRB12-1W30-45DL24
12,5	980	80	3000 K	IRB12-1W30-80DL24
12,5	1200	15	4000 K	IRB12-1W40-15DL24
12,5	1150	34	4000 K	IRB12-1W40-34DL24
12,5	1200	40x20	4000 K	IRB12-1W40-40x20DL24
12,5	1150	45	4000 K	IRB12-1W40-45DL24
12,5	1000	80	4000 K	IRB12-1W40-80DL24
12,5	1200	15	5000 K	IRB12-1W50-15DL24
12,5	1150	34	5000 K	IRB12-1W50-34DL24
12,5	1200	40x20	5000 K	IRB12-1W50-40x20DL24
12,5	1150	45	5000 K	IRB12-1W50-45DL24
12,5	1000	80	5000 K	IRF12-1W50-80DL24
13,5	490	15	RGB	IRB12-1RGB-15CL24
13,5	475	34	RGB	IRB12-1RGB-34CL24
13,5	495	40x20	RGB	IRB12-1RGB-40x20CL24
13,5	480	45	RGB	IRB12-1RGB-45CL24
13,5	420	80	RGB	IRB12-1RGB-80CL24

Power module supply ordered separately

# INTISPOT

Tiny accent luminaire with wide variety of mounting and constructive versions appropriate as for the lighting of entrances and canopies so for the classical accent lighting

CE ENEC IP67



# INTISPOT

## TECHNICAL CHARACTERISTICS

### Light source:

Nichia (Japan), Cree (USA) LEDs

### Light color:

white (3000 K, 4000 K, 5000 K), RGBW

### Optics:

16°, 24°, 40°

### Luminous flux:

180–700 lm

### CRI:

≥80

### Wattage:

5,6–9,3 W

### Voltage:

mono: 48 V DC

RGBW: 24 V DC

### Protection class:

IP67

### Operating temperature:

tropical edition: -40°C ... +55°C

standard edition: -40°C ... +45°C

### Lifespan:

no less than 50 000 hours

### Control:

mono: PWM

RGBW: DMX-512

### Dimensions:

surface-mounted: 70x70x49 mm, 70x70x60 mm

build-in: 108x108x49 mm

### Weight:

0,4–0,5 kg

### Materials:

housing: aluminum alloy with galvanic coating; protective glass:

shock-resistant polycarbonate; mounting arms; mounts: stainless steel

### Mounting:

recessed mounting, surface mounting

### Customization:

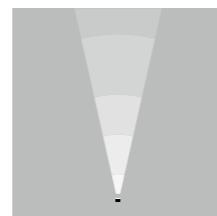
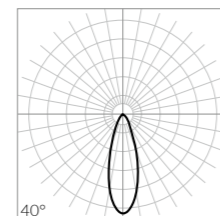
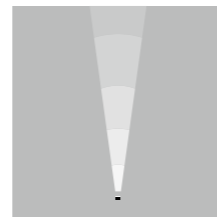
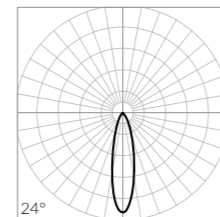
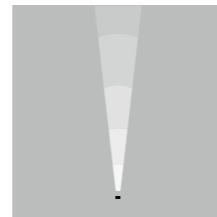
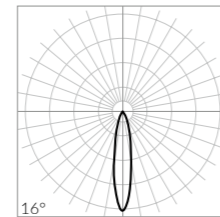
customized LEDs color combinations; housing and accessories painting

in any RAL color; production of customized accessories

### Contents of delivery:

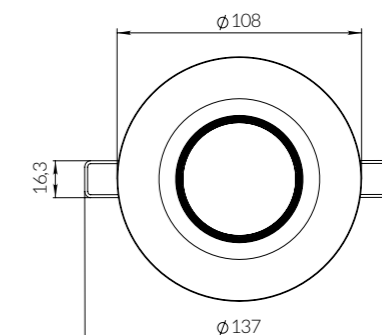
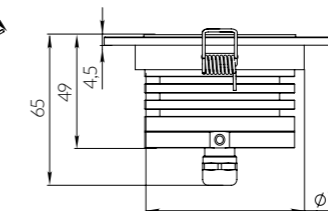
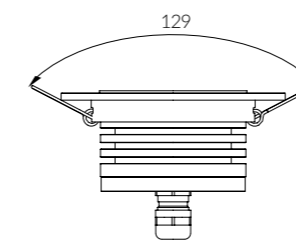
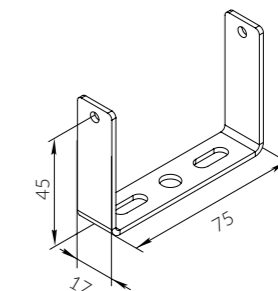
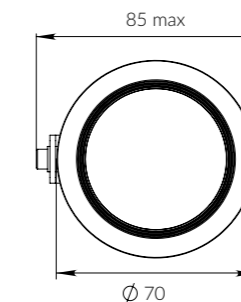
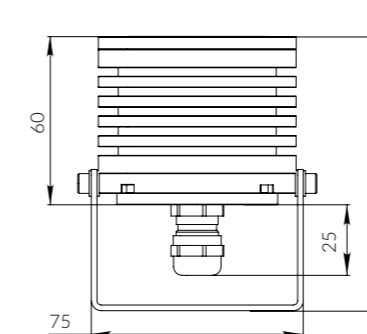
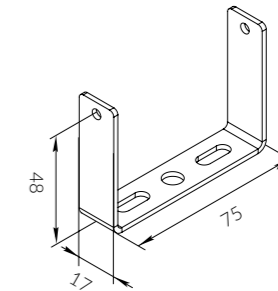
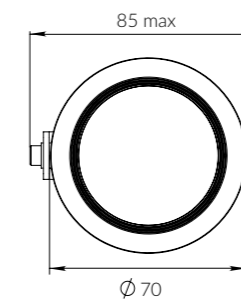
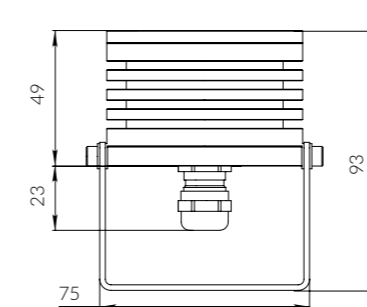
luminaire, bracket, passport, package

## LIGHTING EFFECTS



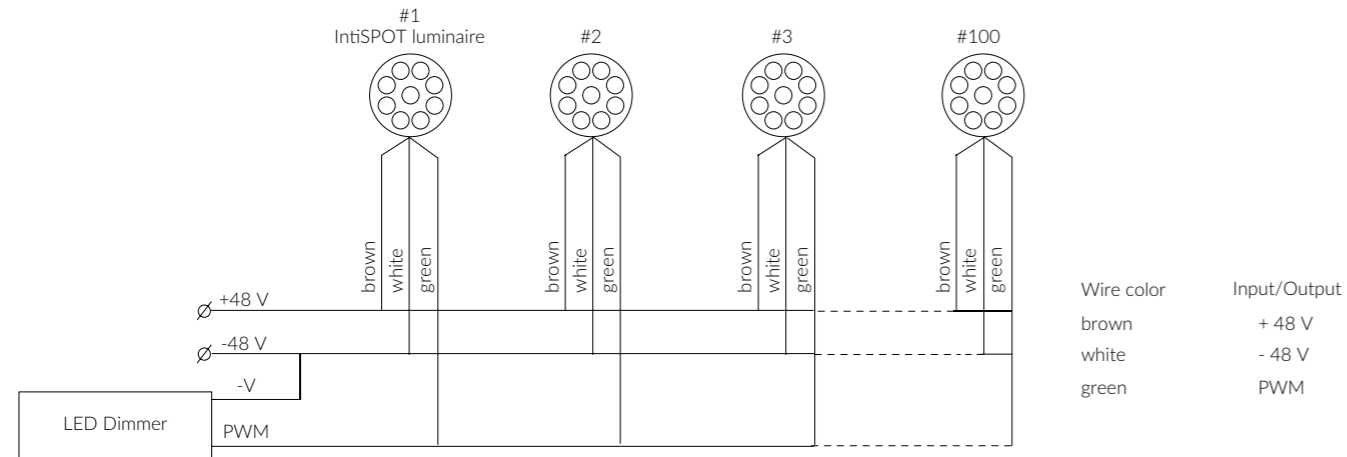
# INTISPOT

## DIMENSIONAL DRAWING



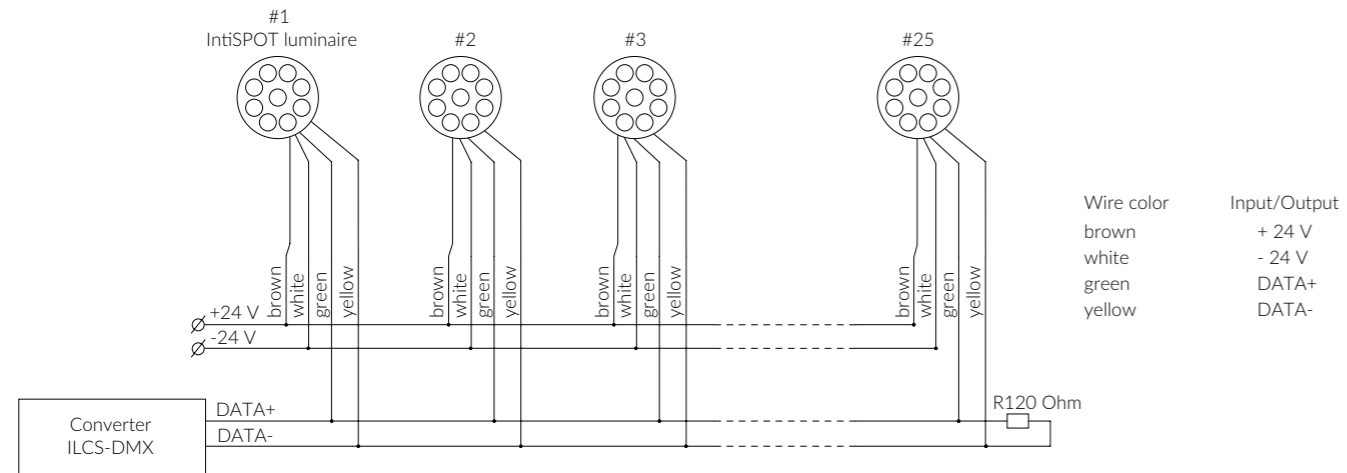
# INTISPOT

## INTISPOT WHITE COLOR LUMINAIRE CONNECTIONS DIAGRAM



NOTE: If the brightness control «PWM» is not used — green wire is not connected (isolated)

## INTISPOT COLOR DYNAMIC LUMINAIRE CONNECTIONS DIAGRAM



# INTISPOT

## COMPATIBLE DEVICES & ACCESSORIES

- LED IPCe controller
- Sens SR-2812-IN Black
- LED dimmer
- USB-ILCS converter
- ILCS-DMX converter
- DMX-DIM (PWM) converter
- DMX(B1T2) splitter
- ILCS(U4) splitter
- DMX-DIM converter

## MODEL RANGES

WATTAGE, W	LUMINOUS FLUX, LM	OPTICS, DEGREE	COLOUR	CODE
<b>70x70x49 MM, 0,4 KG</b>				
5,6	205	40	Red	IRF7-1R-40DL48
5,6	210	24	Red	IRF7-1R-24DL48
5,6	215	16	Red	IRF7-1R-16DL48
7,8	385	40	Amber	IRF7-1A-40DL48
7,8	395	24	Amber	IRF7-1A-24DL48
7,8	405	16	Amber	IRF7-1A-16DL48
7,8	180	40	Blue	IRF7-1B-40DL48
7,8	185	24	Blue	IRF7-1B-24DL48
7,8	190	16	Blue	IRF7-1B-16DL48
7,9	430	40	Green	IRF7-1G-40DL48
7,9	445	24	Green	IRF7-1G-24DL48
7,9	455	16	Green	IRF7-1G-16DL48
7,4	640	40	3000 K	IRF7-1W30-40DL48
7,4	660	24	3000 K	IRF7-1W30-24DL48
7,4	670	16	3000 K	IRF7-1W30-16DL48
7,4	670	40	4000 K	IRF7-1W40-40DL48
7,4	690	24	4000 K	IRF7-1W40-24DL48
7,4	710	16	4000 K	IRF7-1W40-16DL48
7,4	660	40	5000 K	IRF7-1W50-40DL48
7,4	690	24	5000 K	IRF7-1W50-24DL48
7,4	700	16	5000 K	IRF7-1W50-16DL48
<b>70x70x60 MM, 0,5 KG</b>				
9,3	410	40	RGBW	IRF7-1RGBW30-40CL24
9,3	420	40	RGBW	IRF7-1RGBW40-40CL24
9,3	420	40	RGBW	IRF7-1RGBW50-40CL24
9,3	430	16	RGBW	IRF7-1RGBW30-16CL24
9,3	430	24	RGBW	IRF7-1RGBW30-24CL24
9,3	440	16	RGBW	IRF7-1RGBW40-16CL24

108x108x49 MM, 0,5 KG

# INTISPOT

WATTAGE, W	LUMINOUS FLUX, LM	OPTICS, DEGREE	COLOUR	CODE
<b>70x70x60 MM, 0,5 KG</b>				
9,3	440	24	RGBW	IRF7-1RGBW40-24CL24
9,3	440	16	RGBW	IRF7-1RGBW50-16CL24
9,3	440	24	RGBW	IRF7-1RGBW50-24CL24
<b>108x108x49 MM, 0,5 KG</b>				
5,6	205	40	Red	IRB7-1R-40DL48
5,6	210	24	Red	IRB7-1R-24DL48
5,6	215	16	Red	IRB7-1R-16DL48
7,8	180	40	Blue	IRB7-1B-40DL48
7,8	185	24	Blue	IRB7-1B-24DL48
7,8	190	16	Blue	IRB7-1B-16DL48
7,8	385	40	Amber	IRB7-1A-40DL48
7,8	395	24	Amber	IRB7-1A-24DL48
7,8	405	16	Amber	IRB7-1A-16DL48
7,9	430	40	Green	IRB7-1G-40DL48
7,9	445	24	Green	IRB7-1G-24DL48
7,9	455	16	Green	IRB7-1G-16DL48
7,4	640	40	3000 K	IRB7-1W30-40DL48
7,4	660	24	3000 K	IRB7-1W30-24DL48
7,4	670	16	3000 K	IRB7-1W30-16DL48
7,4	670	40	4000 K	IRB7-1W40-40DL48
7,4	690	24	4000 K	IRB7-1W40-24DL48
7,4	710	16	4000 K	IRB7-1W40-16DL48
7,4	660	40	5000 K	IRB7-1W50-40DL48
7,4	690	24	5000 K	IRB7-1W50-24DL48
7,4	700	16	5000 K	IRB7-1W50-16DL48

Power module supply ordered separately

# INTIPOINT

High-brightness pointed luminaire for creating decorative lighting effects and media facades

CE ENEC IP67



# INTIPOINT

## TECHNICAL CHARACTERISTICS

### Light source:

Cree (USA), Nichia (Japan) LEDs

### Light color:

white (3000 K, 4000 K, 5000 K), RGB

### Optics:

180°

### Luminous flux:

40-98 lm

### CRI:

≥80

### Wattage:

3,3; 4 W

### Voltage:

24 V DC

### Protection class:

IP67

### Operating temperature:

tropical edition: -40°C ... +55°C

standard edition: -40°C ... +45°C

### Lifespan:

no less than 50 000 hours

### Control:

DMX-512

### Dimensions:

75x75x60 mm

### Weight:

0,3 kg

### Materials:

housing: cast UV-resistant polycarbonate; diffuser: matte UV-resistant polycarbonate; mounts: stainless steel

### Mounting:

surface mounting

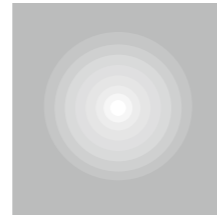
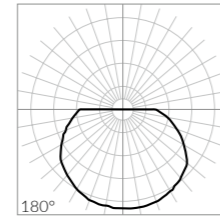
### Customization:

customized LEDs color combinations; control/power cables of any length up to 10 m; different diffuser types; different cable outlet and commutation options: side/bottom

### Contents of delivery:

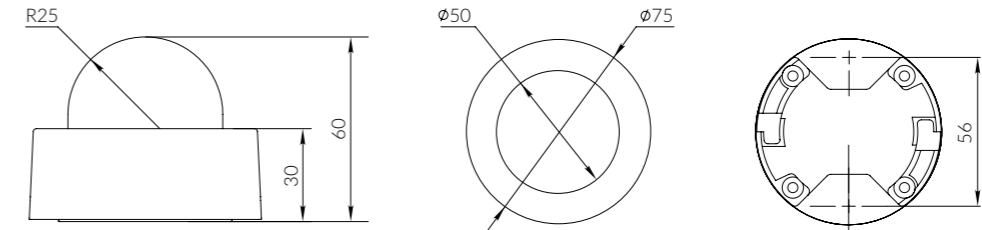
luminaire, console for bayonet mounting, passport, package

## LIGHTING EFFECTS

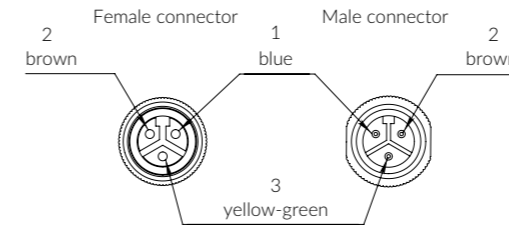
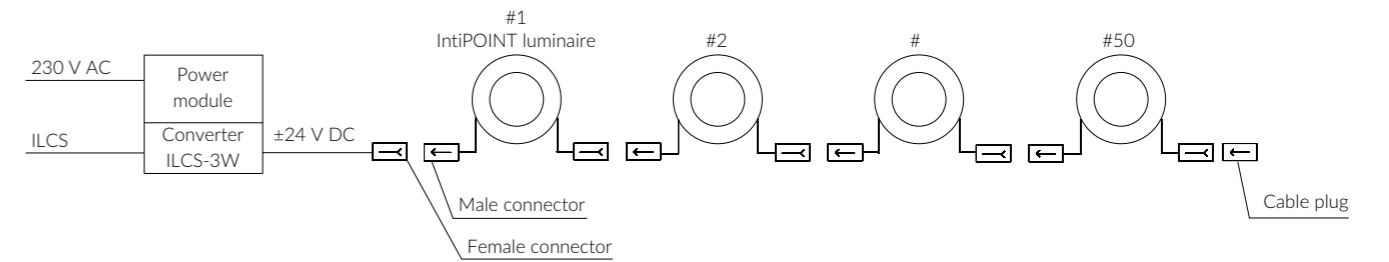


# INTIPOINT

## DIMENSIONAL DRAWING



## INTIPOINT LUMINAIRE CONNECTIONS DIAGRAM



N	Wire color	Input/Output
1	blue	DATA
2	brown	+ 24 V
3	yellow-green	- 24 V

# INTIPOINT

## COMPATIBLE DEVICES & ACCESSORIES

### Control devices

LED IPCe controller  
 Sens SR-2812-IN Black  
 USB-ILCS converter  
 ILCS-3W converter  
 DMX-3W converter  
 DMX-DIM (PWM) converter  
 ILCS(U4) splitter  
 DMX(B1T2) splitter

### Power supply devices

T-240-24 power module  
 T-185-24 power module  
 T-150-24 power module

### Connection devices

0,3 m extension cable – KU-1.1.0-0,3  
 0,4 m extension cable – KU-1.1.0-0,4  
 0,5 m extension cable – KU-1.1.0-0,5  
 0,6 m extension cable – KU-1.1.0-0,6

0,7 m extension cable – KU-1.1.0-0,7  
 1 m extension cable – KU-1.1.0-1  
 1,5 m extension cable – KU-1.1.1-1,5  
 2 m extension cable – KU-1.1.1-2  
 3 m extension cable – KU-1.1.1-3  
 4 m extension cable – KU-1.1.1-4  
 5 m extension cable – KU-1.1.1-5  
 6 m extension cable – KU-1.1.1-6  
 7 m extension cable – KU-1.1.1-7  
 8 m extension cable – KU-1.1.1-8  
 9 m extension cable – KU-1.1.1-9  
 10 m extension cable – KU-1.1.1-10  
 11 m extension cable – KU-1.1.1-11  
 12 m extension cable – KU-1.1.1-12  
 13 m extension cable – KU-1.1.1-13  
 14 m extension cable – KU-1.1.1-14  
 15 m extension cable – KU-1.1.1-15  
 20 m extension cable – KU-1.1.1-20  
 J3F end cap

## MODEL RANGES

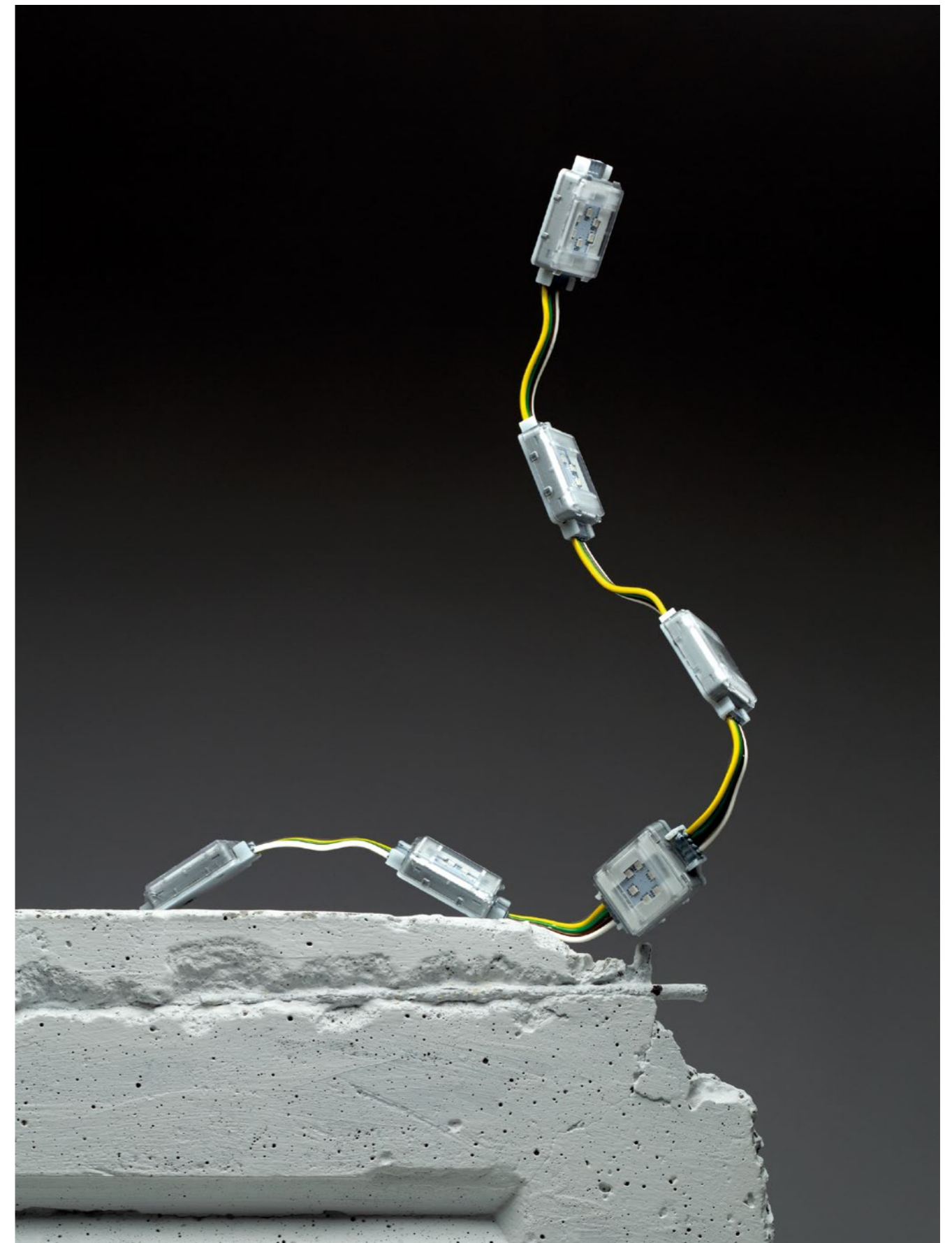
WATTAGE, W	LUMINOUS FLUX, LM	OPTICS, DEGREE	COLOUR	CODE
<b>75x75x60 MM, 0,2 KG</b>				
3,3	40	180	RGB	IRF3-1RGB-180CL24
4	93	180	3000 K	IRF3-1W30-180CL24
4	98	180	4000 K	IRF3-1W40-180CL24
4	98	180	5000 K	IRF3-1W50-180CL24

Power module supply ordered separately

# INTIDOT

Installation-friendly media facade system with high brightness dots and flexible adjusting possibilities

CE EAC IP65





# INTIDOT

## TECHNICAL CHARACTERISTICS

### Light source:

Nichia (Japan) fullcolor LEDs

### Light color:

fullcolor

### Luminous flux (1 dot / 50 dots):

without lens: 48 lm / 2400 lm

with lens: 36 lm / 1800 lm

### Wattage (1 dot / 50 dots):

2 W / 81 W

### Voltage:

24 V DC

### Number of dots:

1-50

### Distance between dots:

100-500 mm

### Protection class:

IP65

### Operating temperature:

tropical edition: -40°C ... +55°C

standard edition: -40°C ... +45°C

### Lifespan:

no less than 50 000 hours

### Control:

DMX-512

### Dimensions (1 dot):

50x30x12 mm

### Weight (50 dots with 200 mm step):

1,5 kg

### Materials:

housing: UV-resistant polycarbonate; diffuser: light-diffusing UV-resistant polycarbonate

### Mounting:

surface mounting or installation into the profile

### Accessories:

mounting profile, extension cable (length up to 30 m); diffuser

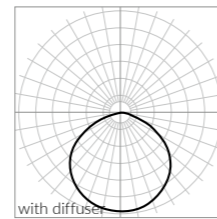
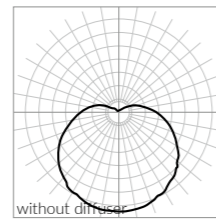
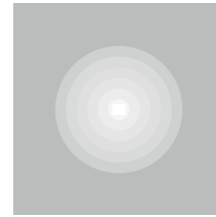
### Customization:

mounting profile painted in a facade color; customized mounting; customized quantity and distance between dots; monochrome controlled version

### Contents of delivery:

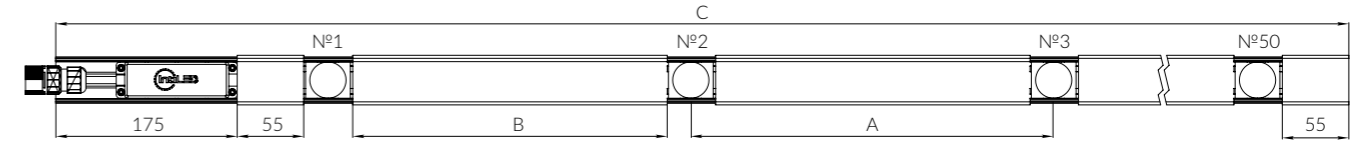
string with dots, passport, package

## LIGHTING EFFECTS

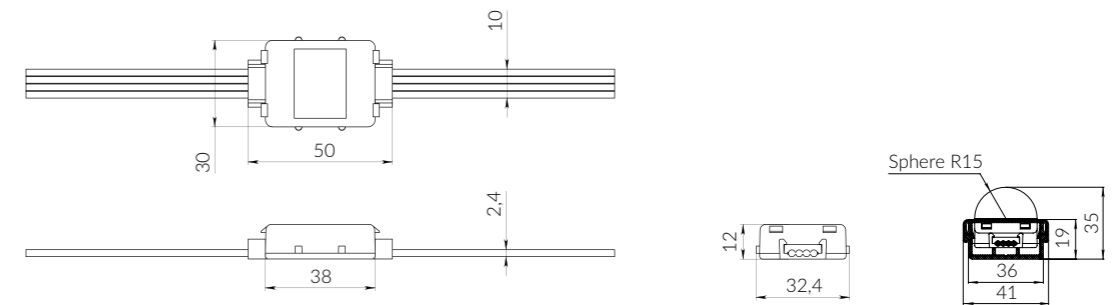


# INTIDOT

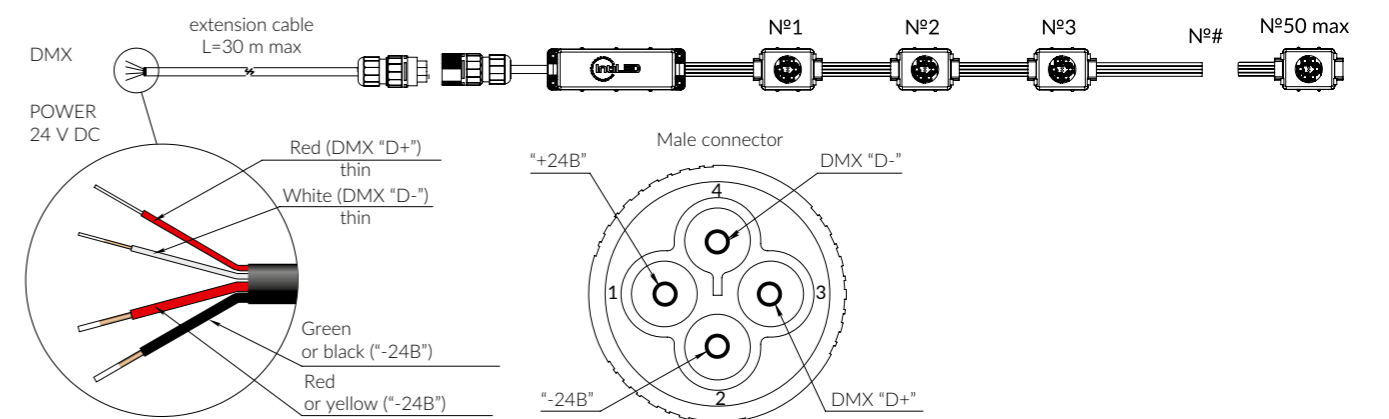
## DIMENSIONAL DRAWING



Pixels 10			Pixels 20			Pixels 30			Pixels 40			Pixels 50		
A, mm	B, mm	C, mm	A, mm	B, mm	C, mm	A, mm	B, mm	C, mm	A, mm	B, mm	C, mm	A, mm	B, mm	C, mm
150	110	1100	150	110	4600	150	110	5700	150	110	6800	150	110	7900
200	160	1600	200	160	5600	200	160	77200	200	160	8800	200	160	10400
300	260	2600	300	260	7600	300	260	10200	300	260	12800	300	260	15400
400	360	3600	400	360	9600	400	360	13200	400	360	16800	400	360	20400
500	460	4600	500	460	11600	500	460	16200	500	460	20800	500	460	25400



## INTIDOT LUMINAIRE CONNECTIONS DIAGRAM



## COMPATIBLE DEVICES & ACCESSORIES

### Control devices

LED IPCe controller  
Sens SR-2812-IN Black  
USB-ILCS converter  
ILCS-DMX converter  
ILCS(U4) splitter  
DMX(B1T2) splitter

### Connection devices

IntiDOT mounting profile  
diffusor lense  
1 m extension cable – KU-1.10-1  
5 m extension cable – KU-1.10-5  
10 m extension cable – KU-1.10-10  
15 m extension cable – KU-1.10-11  
20 m extension cable – KU-1.10-12  
25 m extension cable – KU-1.10-13  
30 m extension cable – KU-1.10-14

## MODEL RANGES

WATTAGE, W	LUMINOUS FLUX, LM	ПИКСЕЛЕЙ В ГИРЛЯНДЕ, ШТ.	COLOUR	ШАГ МЕЖДУ ПИКСЕЛАМИ, ММ	CODE
<b>WITH DIFFUSER</b>					
16	480	10	full color	150	IntiDOT-10.150 IMF6-0,3FC-120CL24
16	480	10	full color	200	IntiDOT-10.200 IMF6-0,3FC-120CL24
16	480	10	full color	300	IntiDOT-10.300 IMF6-0,3FC-120CL24
16	480	10	full color	400	IntiDOT-10.400 IMF6-0,3FC-120CL24
16	480	10	full color	500	IntiDOT-10.500 IMF6-0,3FC-120CL24
32	950	20	full color	150	IntiDOT-20.150 IMF6-0,3FC-120CL24
32	950	20	full color	200	IntiDOT-20.200 IMF6-0,3FC-120CL24
32	950	20	full color	300	IntiDOT-20.300 IMF6-0,3FC-120CL24
32	950	20	full color	400	IntiDOT-20.400 IMF6-0,3FC-120CL24
32	950	20	full color	500	IntiDOT-20.500 IMF6-0,3FC-120CL24
48	1450	30	full color	150	IntiDOT-30.150 IMF6-0,3FC-120CL24
48	1450	30	full color	200	IntiDOT-30.200 IMF6-0,3FC-120CL24
48	1450	30	full color	300	IntiDOT-30.300 IMF6-0,3FC-120CL24
48	1450	30	full color	400	IntiDOT-30.400 IMF6-0,3FC-120CL24
48	1450	30	full color	500	IntiDOT-30.500 IMF6-0,3FC-120CL24
65	1900	40	full color	150	IntiDOT-40.150 IMF6-0,3FC-120CL24
65	1900	40	full color	200	IntiDOT-40.200 IMF6-0,3FC-120CL24
65	1900	40	full color	300	IntiDOT-40.300 IMF6-0,3FC-120CL24
65	1900	40	full color	400	IntiDOT-40.400 IMF6-0,3FC-120CL24
65	1900	40	full color	500	IntiDOT-40.500 IMF6-0,3FC-120CL24
81	2400	50	full color	150	IntiDOT-50.150 IMF6-0,3FC-120CL24
81	2400	50	full color	200	IntiDOT-50.200 IMF6-0,3FC-120CL24
81	2400	50	full color	300	IntiDOT-50.300 IMF6-0,3FC-120CL24
81	2400	50	full color	400	IntiDOT-50.400 IMF6-0,3FC-120CL24
81	2400	50	full color	500	IntiDOT-50.500 IMF6-0,3FC-120CL24

WATTAGE, W	LUMINOUS FLUX, LM	ПИКСЕЛЕЙ В ГИРЛЯНДЕ, ШТ.	COLOUR	ШАГ МЕЖДУ ПИКСЕЛАМИ, ММ	CODE
<b>WITHOUT DIFFUSER</b>					
16	360	10	full color	150	IntiDOT-10.150 IMF6-0,3FC-160CL24
16	360	10	full color	200	IntiDOT-10.200 IMF6-0,3FC-160CL24
16	360	10	full color	300	IntiDOT-10.300 IMF6-0,3FC-160CL24
16	360	10	full color	400	IntiDOT-10.400 IMF6-0,3FC-160CL24
16	360	10	full color	500	IntiDOT-10.500 IMF6-0,3FC-160CL24
32	700	20	full color	150	IntiDOT-20.150 IMF6-0,3FC-160CL24
32	700	20	full color	200	IntiDOT-20.200 IMF6-0,3FC-160CL24
32	700	20	full color	300	IntiDOT-20.300 IMF6-0,3FC-160CL24
32	700	20	full color	400	IntiDOT-20.400 IMF6-0,3FC-160CL24
32	700	20	full color	500	IntiDOT-20.500 IMF6-0,3FC-160CL24
48	1100	30	full color	150	IntiDOT-30.150 IMF6-0,3FC-160CL24
48	1100	30	full color	200	IntiDOT-30.200 IMF6-0,3FC-160CL24
48	1100	30	full color	300	IntiDOT-30.300 IMF6-0,3FC-160CL24
48	1100	30	full color	400	IntiDOT-30.400 IMF6-0,3FC-160CL24
48	1100	30	full color	500	IntiDOT-30.500 IMF6-0,3FC-160CL24
65	1450	40	full color	150	IntiDOT-40.150 IMF6-0,3FC-160CL24
65	1450	40	full color	200	IntiDOT-40.200 IMF6-0,3FC-160CL24
65	1450	40	full color	300	IntiDOT-40.300 IMF6-0,3FC-160CL24
65	1450	40	full color	400	IntiDOT-40.400 IMF6-0,3FC-160CL24
65	1450	40	full color	500	IntiDOT-40.500 IMF6-0,3FC-160CL24
81	1800	50	full color	150	IntiDOT-50.150 IMF6-0,3FC-160CL24
81	1800	50	full color	200	IntiDOT-50.200 IMF6-0,3FC-160CL24
81	1800	50	full color	300	IntiDOT-50.300 IMF6-0,3FC-160CL24
81	1800	50	full color	400	IntiDOT-50.400 IMF6-0,3FC-160CL24
81	1800	50	full color	500	IntiDOT-50.500 IMF6-0,3FC-160CL24

Power module supply ordered separately

# INTIGROUND

High-power recessed floodlight projector for the intense highlighting of the facades from the ground level

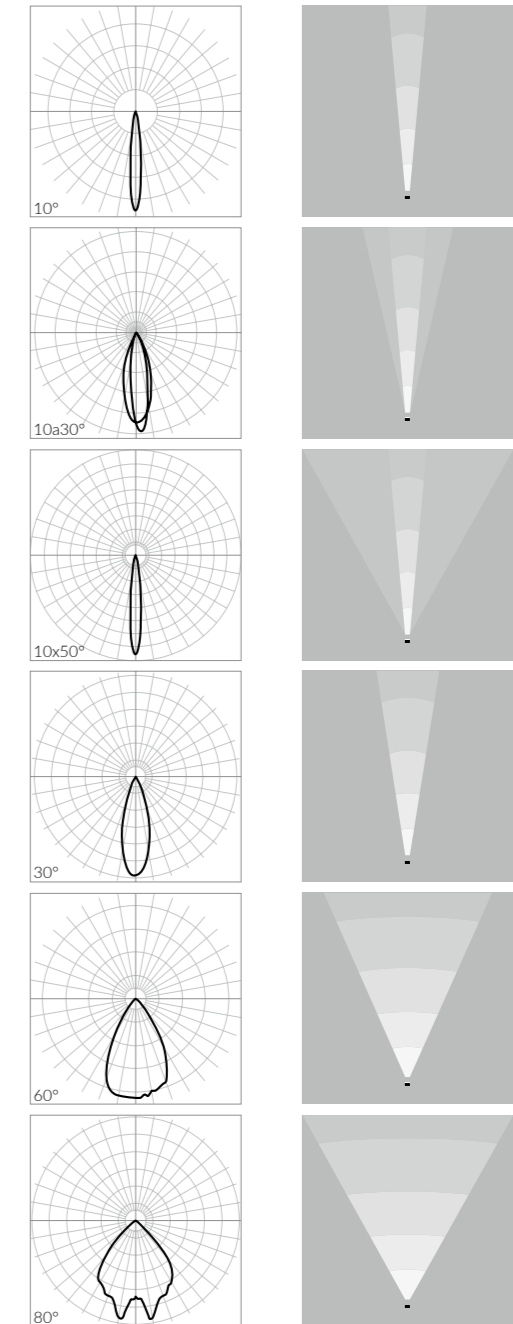


# INTIGROUND

## TECHNICAL CHARACTERISTICS

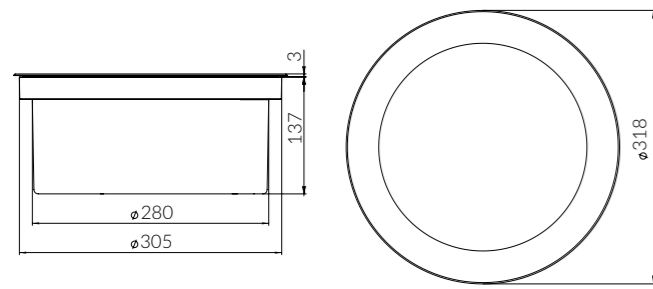
- Light source:**  
Nichia (Japan), Cree (USA) LEDs
- Light color:**  
white (3000 K, 4000 K, 5000 K), red, green, blue, amber, RGB, RGBW
- Optics:**  
10°, 10a30°, 10x50°, 30°, 60°, 80°
- Luminous flux:**  
590–2450 lm
- CRI:**  
≥80
- Power factor Cos φ:**  
>0,9
- Wattage:**  
19–32 W
- Voltage:**  
90–264 V AC
- Protection class:**  
IP67
- Static load resistance:**  
up to 5000 kg
- Operating temperature:**  
tropical edition: -40°C ... +55°C  
standard edition: -40°C ... +45°C
- Lifespan:**  
no less than 50 000 hours
- Control:**  
DMX-512
- Dimensions:**  
318x318x140 mm
- Weight:**  
6,8 kg
- Materials:**  
housing: pressure-cast aluminum, covered with powder paint;  
protective glass: hardened, 15 mm thick, with silicon sealer; mounting  
curb: ABS plastic; decorative frame: polished stainless steel; mounts:  
stainless steel
- Mounting:**  
build into the ground or concrete with different surfaces (asphalt,  
paving slab, facing stone etc.)
- Customization:**  
control/power cables of any length, PWM control
- Contents of delivery:**  
luminaire, mounting curb, passport, package

## LIGHTING EFFECTS

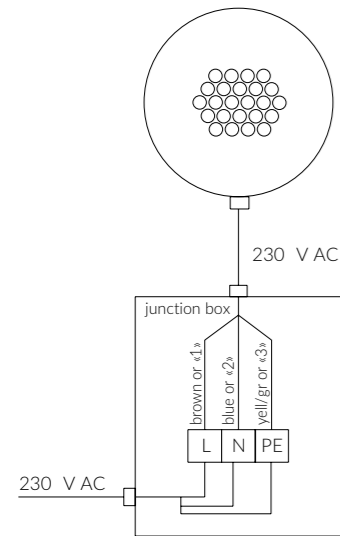


# INTIGROUND

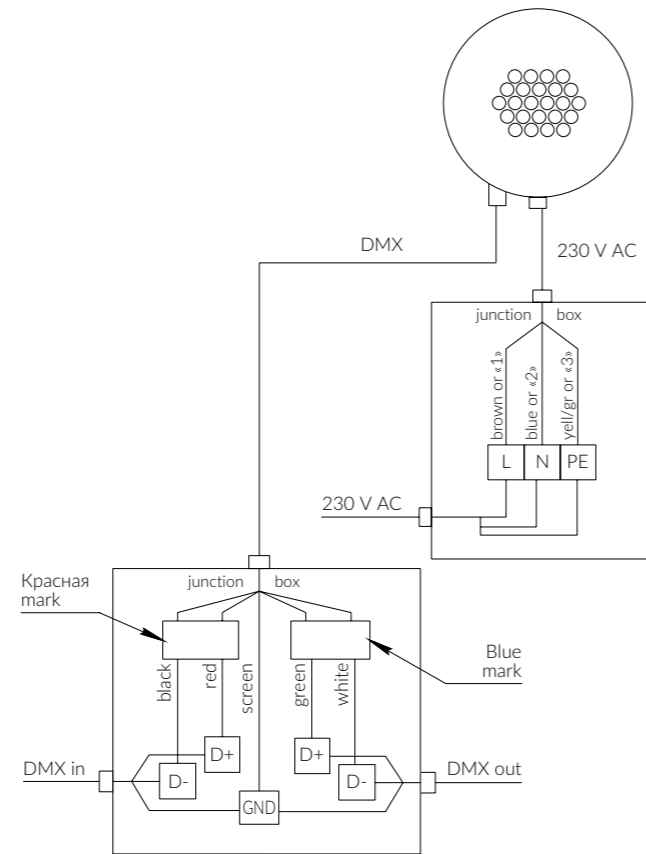
## DIMENSIONAL DRAWING



## INTIGROUND WHITE COLOR LUMINAIRE CONNECTIONS DIAGRAM



## INTIGROUND COLOR DYNAMIC LUMINAIRE CONNECTIONS DIAGRAM



# INTIGROUND

## COMPATIBLE DEVICES & ACCESSORIES

LED IPCe controller  
Sens SR-2812-IN Black  
USB-ILCS converter

ILCS-DMX converter  
DMX(B1T2) splitter  
ILCS(U4) splitter

## MODEL RANGES

WATTAGE, W	LUMINOUS FLUX, LM	OPTICS, DEGREE	COLOUR	CODE
<b>318x318x140 MM, 6,8 KG DMX</b>				
19	670	10a30	Red	IRG24-1R-10a30CH
19	710	10x50	Red	IRG24-1R-10x50CH
19	750	30	Red	IRG24-1R-30CH
19	750	80	Red	IRG24-1R-80CH
19	760	10	Red	IRG24-1R-10CH
19	760	60	Red	IRG24-1R-60CH
26,5	590	10a30	Blue	IRG24-1B-10a30CH
26,5	630	10x50	Blue	IRG24-1B-10x50CH
26,5	670	10	Blue	IRG24-1B-10CH
26,5	670	30	Blue	IRG24-1B-30CH
26,5	670	60	Blue	IRG24-1B-60CH
26,5	670	80	Blue	IRG24-1B-80CH
26,5	1250	10a30	Amber	IRG24-1A-10a30CH
26,5	1300	10x50	Amber	IRG24-1A-10x50CH
26,5	1400	10	Amber	IRG24-1A-10CH
26,5	1400	30	Amber	IRG24-1A-30CH
26,5	1400	60	Amber	IRG24-1A-60CH
26,5	1400	80	Amber	IRG24-1A-80CH
27	1400	10a30	Green	IRG24-1G-10a30CH
27	1500	10x50	Green	IRG24-1G-10x50CH
27	1550	30	Green	IRG24-1G-30CH
27	1550	80	Green	IRG24-1G-80CH
27	1600	10	Green	IRG24-1G-10CH
27	1600	60	Green	IRG24-1G-60CH
25	2050	10a30	3000 K	IRG24-1W30-10a30CH
25	2100	10x50	3000 K	IRG24-1W30-10x50CH
25	2200	30	3000 K	IRG24-1W30-30CH
25	2200	60	3000 K	IRG24-1W30-60CH
25	2250	10	3000 K	IRG24-1W30-10CH
25	2300	80	3000 K	IRG24-1W30-80CH

318x318x140 MM, 6,8 KG  
БЕЗ УПРАВЛЕНИЯ

# INTIGROUND

WATTAGE, W	LUMINOUS FLUX, LM	OPTICS, DEGREE	COLOUR	CODE
25	2200	10x50	4000 K	IRG24-1W40-10x50CH
25	2200	10a30	4000 K	IRG24-1W40-10a30CH
25	2300	30	4000 K	IRG24-1W40-30CH
25	2300	60	4000 K	IRG24-1W40-60CH
25	2350	10	4000 K	IRG24-1W40-10CH
25	2450	80	4000 K	IRG24-1W40-80CH
25	2150	10a30	5000 K	IRG24-1W50-10a30CH
25	2200	10x50	5000 K	IRG24-1W50-10x50CH
25	2300	30	5000 K	IRG24-1W50-30CH
25	2300	60	5000 K	IRG24-1W50-60CH
25	2350	10	5000 K	IRG24-1W50-10CH
25	2450	80	5000 K	IRG24-1W50-80CH
28	890	10a30	RGB	IRG24-1RGB-10a30CH
28	950	10x50	RGB	IRG24-1RGB-10x50CH
28	1000	10	RGB	IRG24-1RGB-10CH
28	1000	30	RGB	IRG24-1RGB-30CH
28	1000	60	RGB	IRG24-1RGB-60CH
28	1000	80	RGB	IRG24-1RGB-80CH
32	1450	10x50	RGBW	IRG24-1RGBW30-10x50CH
32	1450	10a30	RGBW	IRG24-1RGBW30-10a30CH
32	1500	30	RGBW	IRG24-1RGBW30-30CH
32	1500	60	RGBW	IRG24-1RGBW30-60CH
32	1500	10x50	RGBW	IRG24-1RGBW40-10x50CH
32	1500	10a30	RGBW	IRG24-1RGBW40-10a30CH
32	1500	10x50	RGBW	IRG24-1RGBW50-10x50CH
32	1500	10a30	RGBW	IRG24-1RGBW50-10a30CH
32	1550	10	RGBW	IRG24-1RGBW30-10CH
32	1550	30	RGBW	IRG24-1RGBW40-30CH
32	1550	60	RGBW	IRG24-1RGBW40-60CH
32	1550	30	RGBW	IRG24-1RGBW50-30CH
32	1550	60	RGBW	IRG24-1RGBW50-60CH
32	1600	80	RGBW	IRG24-1RGBW30-80CH
32	1600	10	RGBW	IRG24-1RGBW40-10CH
32	1600	10	RGBW	IRG24-1RGBW50-10CH
32	1650	80	RGBW	IRG24-1RGBW40-80CH
32	1650	80	RGBW	IRG24-1RGBW50-80CH

**318x318x140 MM, 6,8 KG  
WITHOUT CONTROL**

19	670	10a30	Red	IRG24-1R-10a30H
19	710	10x50	Red	IRG24-1R-10x50H
19	750	30	Red	IRG24-1R-30H

# INTIGROUND

WATTAGE, W	LUMINOUS FLUX, LM	OPTICS, DEGREE	COLOUR	CODE
19	750	80	Red	IRG24-1R-80H
19	760	10	Red	IRG24-1R-10H
19	760	60	Red	IRG24-1R-60H
26,5	1250	10a30	Amber	IRG24-1A-10a30H
26,5	1300	10x50	Amber	IRG24-1A-10x50H
26,5	1400	10	Amber	IRG24-1A-10H
26,5	1400	30	Amber	IRG24-1A-30H
26,5	1400	60	Amber	IRG24-1A-60H
26,5	1400	80	Amber	IRG24-1A-80H
26,5	590	10a30	Blue	IRG24-1B-10a30H
26,5	630	10x50	Blue	IRG24-1B-10x50H
26,5	670	10	Blue	IRG24-1B-10H
26,5	670	30	Blue	IRG24-1B-30H
26,5	670	60	Blue	IRG24-1B-60H
26,5	670	80	Blue	IRG24-1B-80H
27	1400	10a30	Green	IRG24-1G-10a30H
27	1500	10x50	Green	IRG24-1G-10x50H
27	1550	30	Green	IRG24-1G-30H
27	1550	80	Green	IRG24-1G-80H
27	1600	10	Green	IRG24-1G-10H
27	1600	60	Green	IRG24-1G-60H
25	2050	10a30	3000 K	IRG24-1W30-10a30H
25	2100	10x50	3000 K	IRG24-1W30-10x50H
25	2200	30	3000 K	IRG24-1W30-30H
25	2200	60	3000 K	IRG24-1W30-60H
25	2250	10	3000 K	IRG24-1W30-10H
25	2300	80	3000 K	IRG24-1W30-80H
25	2200	10a30	4000 K	IRG24-1W40-10a30H
25	2200	10x50	4000 K	IRG24-1W40-10x50H
25	2300	30	4000 K	IRG24-1W40-30H
25	2300	60	4000 K	IRG24-1W40-60H
25	2350	10	4000 K	IRG24-1W40-10H
25	2450	80	4000 K	IRG24-1W40-80H
25	2150	10a30	5000 K	IRG24-1W50-10a30H
25	2200	10x50	5000 K	IRG24-1W50-10x50H
25	2300	30	5000 K	IRG24-1W50-30H
25	2300	60	5000 K	IRG24-1W50-60H
25	2350	10	5000 K	IRG24-1W50-10H
25	2450	80	5000 K	IRG24-1W50-80H

# INTIGROUND-midi

Recessed floodlight projector for the delicate accent lighting of the facades from the ground level. Compact body dimensions and an internal light beam adjustment mechanism allow easy luminaire installation and adjustment on site

CE ENEC IP67 

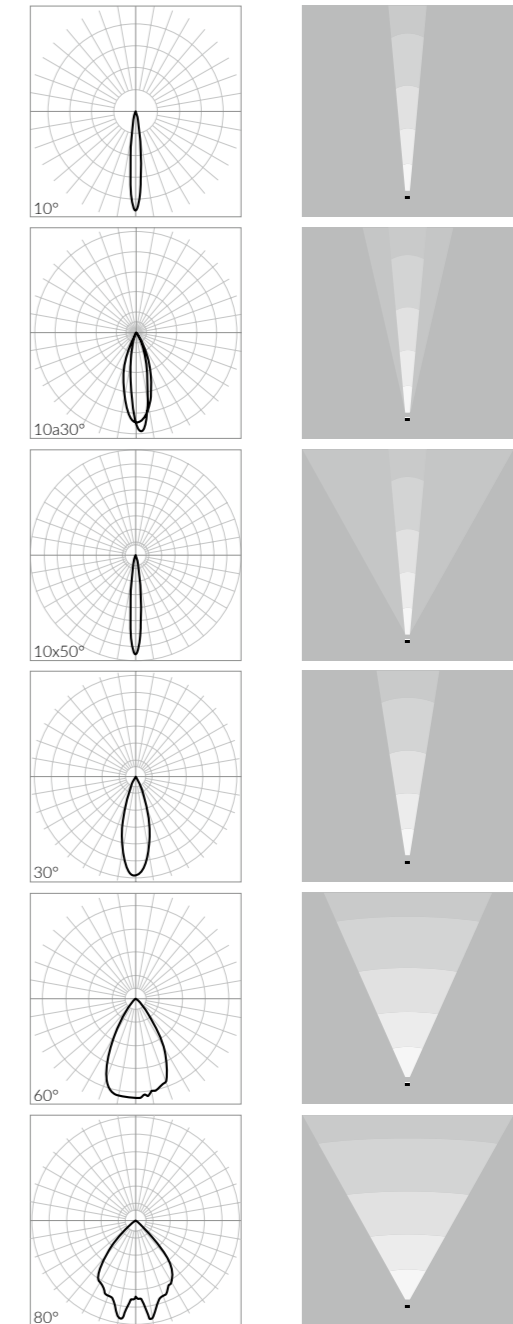


# INTIGROUND-midi

## TECHNICAL CHARACTERISTICS

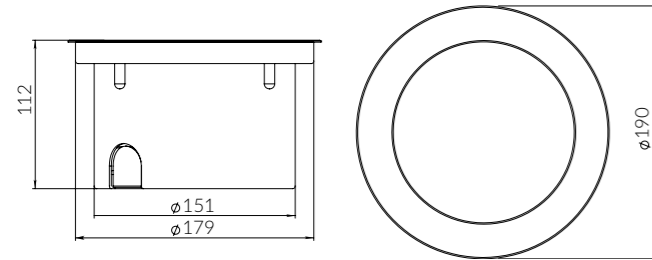
- Light source:**  
Nichia (Japan) LEDs
- Light color:**  
white (3000 K, 4000 K, 5000 K)
- Optics:**  
10°, 10a30°, 10x50°, 30°, 60°, 80°
- Luminous flux:**  
220-920 lm
- CRI:**  
≥80
- Power factor Cos φ:**  
>0,9
- Wattage:**  
11 W
- Voltage:**  
90-264 V AC
- Protection class:**  
IP67
- Static load resistance:**  
up to 5000 kg
- Operating temperature:**  
tropical edition: -40°C ... +55°C  
standard edition: -40°C ... +45°C
- Lifespan:**  
no less than 50 000 hours
- Control:**  
not available
- Dimensions:**  
190x190x112 mm
- Weight:**  
2,2 kg
- Materials:**  
housing: pressure-cast aluminum, covered with powder paint;  
protective glass: hardened with silicon sealer; mounting curb:  
ABS plastic; decorative frame: polished stainless steel; mounts:  
stainless steel
- Mounting:**  
build into the ground or concrete with different surfaces (asphalt,  
paving slab, facing stone etc.)
- Customization:**  
power cables up to 10 m; PWM control
- Contents of delivery:**  
luminaire, mounting curb, passport, package

## LIGHTING EFFECTS

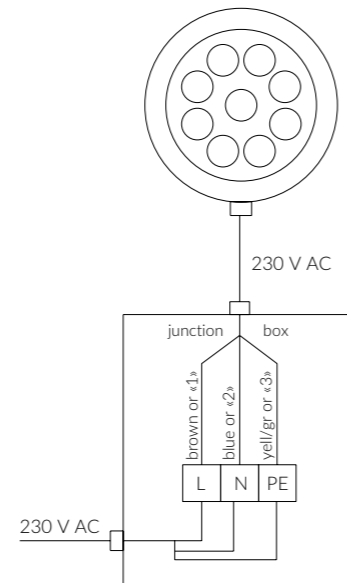


# INTIGROUND-midi

DIMENSIONAL DRAWING



INTIGROUND-MIDI LUMINAIRE CONNECTIONS DIAGRAM





# INTIGROUND-midi

MODEL RANGES

WATTAGE, W	LUMINOUS FLUX, LM	OPTICS, DEGREE	COLOUR	CODE
<b>190x190x112 MM, 2,2 KG</b>				
10,5	780	10a30	3000 K	IRG9-1W30-10a30H
10,5	790	10x50	3000 K	IRG9-1W30-10x50H
10,5	820	30	3000 K	IRG9-1W30-30H
10,5	820	60	3000 K	IRG9-1W30-60H
10,5	840	10	3000 K	IRG9-1W30-10H
10,5	870	80	3000 K	IRG9-1W30-80H
10,5	820	10a30	4000 K	IRG9-1W30-10a30H
10,5	830	10x50	4000 K	IRG9-1W40-10x50H
10,5	870	30	4000 K	IRG9-1W40-30H
10,5	870	60	4000 K	IRG9-1W40-60H
10,5	890	10	4000 K	IRG9-1W40-10H
10,5	920	80	4000 K	IRG9-1W40-80H
10,5	810	80	5000 K	IRG9-1W50-80H
10,5	820	10x50	5000 K	IRG9-1W50-10x50H
10,5	820	10a30	5000 K	IRG9-1W30-10a30H
10,5	860	30	5000 K	IRG9-1W50-30H
10,5	860	60	5000 K	IRG9-1W50-60H
10,5	880	10	5000 K	IRG9-1W50-10H
11	220	10a30	Blue	IRG9-1B-10a30H
11	235	10x50	Blue	IRG9-1B-10x50H
11	250	10	Blue	IRG9-1B-10H
11	250	30	Blue	IRG9-1B-30H
11	250	60	Blue	IRG9-1B-60H
11	250	80	Blue	IRG9-1B-80H
11	470	10a30	Amber	IRG9-1A-10a30H
11	500	10x50	Amber	IRG9-1A-10x50H
11	520	80	Amber	IRG9-1A-80H
11	520	30	Amber	IRG9-1A-30H
11	530	10	Amber	IRG9-1A-10H
11	530	60	Amber	IRG9-1A-60H
11	530	10a30	Green	IRG9-1G-10a30H
11	560	10x50	Green	IRG9-1G-10x50H
11	590	30	Green	IRG9-1G-30H
11	590	80	Green	IRG9-1G-80H
11	600	10	Green	IRG9-1G-10H
11	600	60	Green	IRG9-1G-60H

Moscow  
+7 495 510 27 65

 [instagram.com/intiled/](https://www.instagram.com/intiled/)  
 [facebook.com/intiled/](https://www.facebook.com/intiled/)  
 [twitter.com/intiled](https://www.twitter.com/intiled/)

[sales@intiled.ru](mailto:sales@intiled.ru)  
[www.intiled.com](http://www.intiled.com)

St. Petersburg  
+7 812 380 65 04

